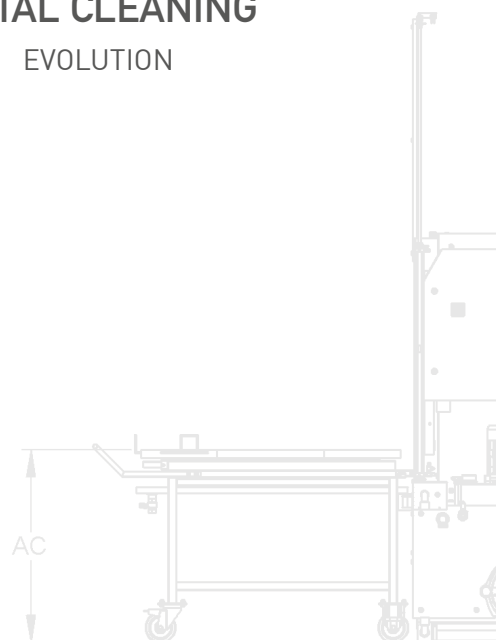
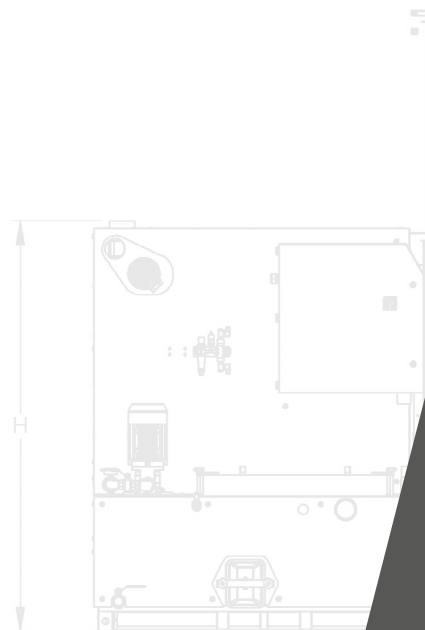


# Teknox

METAL CLEANING  
EVOLUTION



ENGLISH 

HIGH  
QUALITY  
guaranteed  
\*\*\*

HELP  
DESK  


MADE  
IN ITALY

SINCE  
1967

# ROBUR LINE



## THE NEW TEKNOX APP

This application wants to be an additional tool that Teknox puts in place to improve and speed up the services and communication with its customers and the sales department.

Thanks to the application are available different services, such as: the form for the request of spare parts, the form for the data collection for new projects, the complete interactive catalogue with images, videos, technical data and much more.

# Teknox

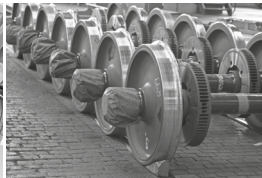
The company, born as SME in 1967, has become over the years the reference point in the field of piece washing.

Today the production includes:

- EQUIPMENT FOR WASHING PARTS IN THE MAINTENANCE DEPARTMENTS
- PLANTS FOR THE SURFACE TREATMENT OF PARTS IN PRODUCTION CYCLE



Car and motorcycle maintenance



Railway



Regeneration



Chemical industry and colour industry



Aerospace



Shipbuilding industry



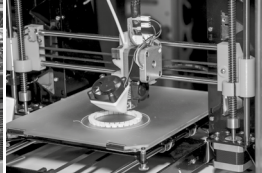
Petrochemistry



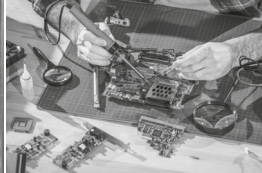
Composite materials



Printing industry



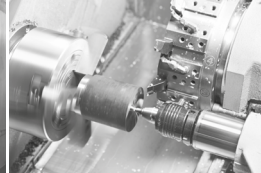
3D printing



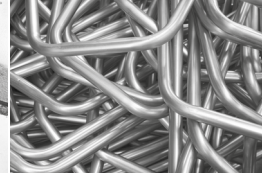
Electronics industry



Prepainting



CNC machining



Tube processing



Sheet metal stamping



Automatic lines



More than **50** years of experience

**6000** sqm of plant

More than **10.000** machines produced

**80+** Countries we export to

More than **40** employees

# ROBUR

ROBUR PERFORMS THE SUCCESSFUL  
**AUTOMATIC WASHING**  
OF MEDIUM AND LARGE SIZE  
MECHANICAL PARTS.

Washing is carried out by the action of upper, lower and side nozzles. The slow rotation of the platform is ensured by a gear motor with a torque limiter. A PLC management enables numberless customisations thanks to a wide range of accessories. The high-capacity tank is separate from the washing chamber and it is mounted on the right side of the machine.



**SPRAY  
WASHING**



**MOTORIZED  
ROTATION ON  
VERTICAL AXIS**



ROBUR 1400



## VERSION

- LT (heating up to 60° C)
- HT (heating up to 80° C)



## CONTROL

- PLC with colour touchscreen
- Option Industry 4.0



## NUMBER OF TANKS

- Single tank



## AREAS OF APPLICATION

- Mechanical / Aviation industry
- Surface treatment
- Electronics / Chemicals industry

# ROBUR

1000

1200

1400

1800

2200

2600

## TECHNICAL FEATURES

- Pneumatic opening and closing of the lid with 2 safety hands control
- Timed electric exhaustion of steam
- Aisi 304 stainless steel external trolley with drip tray and wheels with safety brake
- ISO pneumatic cylinders and “fall-proof” pneumatic safety valves
- Thermal tank insulation with Aisi 430 stainless steel panels
- Siemens® electric power parts
- 4” color touchscreen display for settings and programs
- Box filter made up of 6 Aisi 304 SS vertical filters for pre-filtration of the liquid flowing back into the tank
- Aisi 304 stainless steel filter in pump intake
- Triple gasket for door (bottom, top and side) and gaskets on all tank lids
- Structure and sheet metal in contact with liquid in Aisi 304 stainless steel
- Minimum level switch
- Pressure gauge for control of pressure delivered
- Safety limit switch on door opening
- Gearmotor for basket rotation with torque limiter and centering sensor
- Sludge drain hatch for simple tank cleaning
- Reinforced pressed grating platform with galvanized steel raised outer edge
- Multiple-stage vertical electric pump in Aisi 304 stainless steel with special seals
- Manually adjustable washing pressure
- Weekly programming to start heating and deoiler (if installed)
- IP65 electrical system, management via PLC touchscreen (DGT V4)
- Heating of the liquid with stainless steel electric heating element
- Internal welding bleaching
- Tanks accessible from the outside
- Stainless steel bottom section load-bearing structure
- Aisi 304 stainless steel washing pipelines with professional stainless steel flat nozzles
- Drain valves for emptying tanks
- Manual water filling valve

## HT VERSION

- Heat insulation with Aisi 430 stainless steel panels

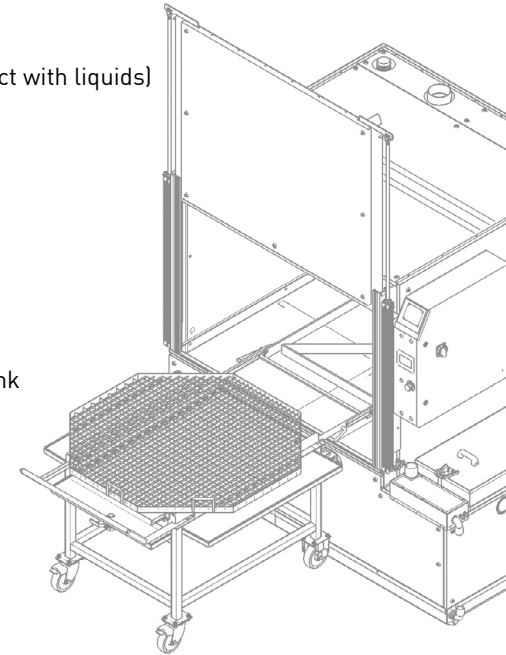
# AUTOMATIC WASHING

TECHNICAL DATA	R 1000	R 1200	R 1400	R 1800	R 2200	R 2600
Load capacity	600 kg	600 kg	600 kg	800 kg	800 kg	800 kg
Tank 1 capacity	450 lt	550 lt	750 lt	1000 lt	1200 lt	1200 lt
Pump 1	4,0 kW 5 bar 250 lt/min	4,0 kW 5 bar 280 lt/min	4,0 kW 5 bar 300 lt/min	5,5 kW 5 bar 350 lt/min	5,5 kW 5 bar 400 lt/min	5,5 kW 5 bar 400 lt/min
High pressure pump 1	5,5 kW 7,5 bar 250 lt/min	5,5 kW 7,5 bar 280 lt/min	5,5 kW 7,5 bar 300 lt/min	7,5 kW 7,5 bar 350 lt/min	7,5 kW 7,5 bar 400 lt/min	7,5 kW 7,5 bar 400 lt/min
Heating tank 1	12 kW	18 kW	24 kW	30 kW	40 kW	40 kW
Motor for parts rotation	0,18 kW	0,18 kW	0,18 kW	0,18 kW	0,18 kW	0,18 kW
Steam exhauster	0,25 kw 320 Nmc/h	0,25 kw 320 Nmc/h	0,37 kw 580 Nmc/h	0,37 kw 580 Nmc/h	2 x 0,37 kw 580 Nmc/h	2 x 0,37 kw 580 Nmc/h
Disk oil separator	0,09 kW	0,09 kW	0,09 kW	0,09 kW	0,09 kW	0,09 kW
Compressed air blowing	160 Nmc/h @ 4 bar	170 Nmc/h @ 4 bar	200 Nmc/h @ 4 bar	240 Nmc/h @ 4 bar	275 Nmc/h @ 4 bar	350 Nmc/h @ 4 bar
Gas oil or natural gas burner heating	0,17 kW - 30000 kcal/h	0,17 kW - 30000 kcal/h	0,17 kW - 30000 kcal/h	0,17 kW - 30000 kcal/h	0,17 kW - 30000 kcal/h	0,17 kW - 30000 kcal/h
Steam condenser	0,20 kW	0,20 kW	0,48 kW	0,48 kW	0,48 kW	0,48 kW
Tank emptying pump	0,37 kW	0,37 kW	0,37 kW	0,37 kW	0,37 kW	0,37 kW
Drying	5,2 kW	5,2 kW	5,2 kW	8,2 kW	8,2 kW	8,2 kW

## ACCESSORIES

- Maximum liquid level control in tank 1 and filling solenoid valve
- Compressed air blowing
- Hot air drying with resistor and air blade side channel blower
- Demineralizer with mixed resins and conductivity meter
- Increased washing height
- Centrifugal steam condenser S
- Centrifugal steam condenser M
- Additional basket/platform
- Stainless steel Aisi 304 additional external trolley
- Automatic liquid detergent dispenser, installed in bath 1
- Disc oil separator with dedicated motorization
- External pneumatic oil separator
- Bag filter in stainless steel, installed in the bath 1
- Magnetic spark plug for bag filter for ferrite powder
- Device for remote connection and remote support for HMI Weintek
- Kit for Industry 4.0 for HMI Weintek
- Manual washing and blowing with hoses and washing nozzle
- 80 bar manual washing and blowing with hoses and washing nozzle (both for LT or for HT available)
- Motorised movement of the platform for loading and unloading [C]

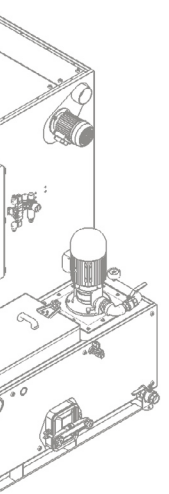
- Kit for use with abrasive contaminants in the washing liquid
- Stainless steel fittings and valves kit ( for parts that are in contact with liquids)
- PLC Siemens® S7 1200 - HMI touchscreen Weintek
- High pressure washing pump
- Insulated stainless steel roller shutter front door
- Platform and spider in stainless steel Aisi 304
- External platform with hydraulic elevator
- Heating with natural gas / Diesel fuel burner
- Stainless steel Aisi 304 retention tank with drip-catcher
- Nebulized rinse from water mains, draining into the washing tank
- Compressed air blowing with upper pipe adjustable in height
- Tank on the opposite side when compared to standard
- Removable edges for grating in stainless steel, H 200 mm
- Emptying pump
- Signal tower for indicating system status
- Loading/ unloading external station ( second platform included)



### ACCESSORIES NOTES LEGEND

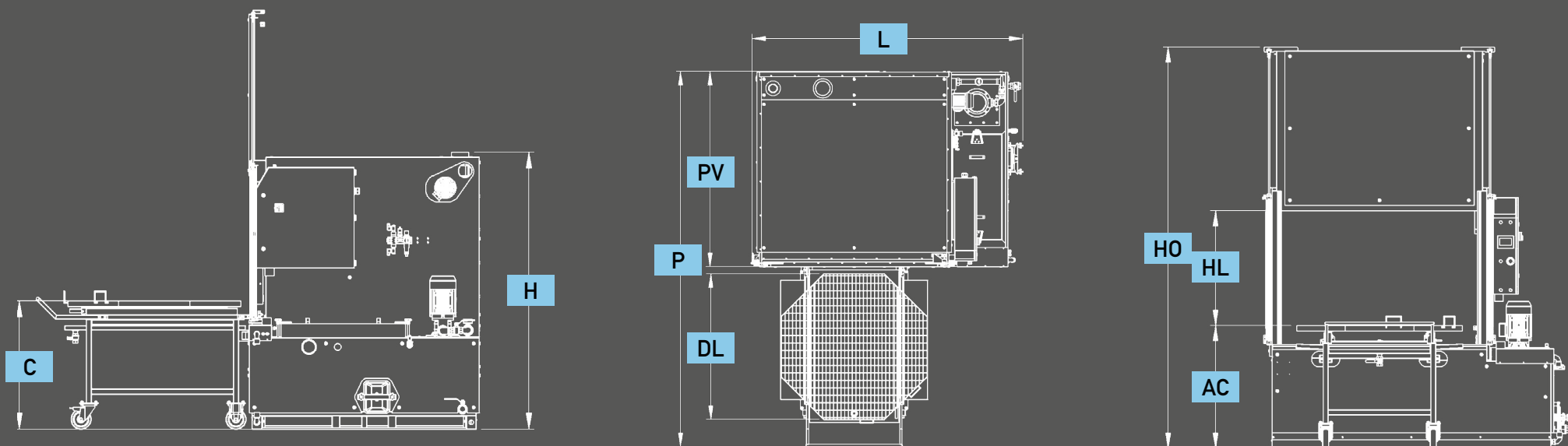
C: the useful washing height is reduced by 130 mm

CONNECTIONS	R 1000	R 1200	R 1400	R 1800	R 2200	R 2600
Steam extraction	Ø80 mm	Ø80 mm	Ø100 mm	Ø100 mm	2 x Ø100 mm	2 x Ø100 mm
Tank liquid drain	F 1" 1/4	F 1" 1/4	F 1" 1/4	F 1" 1/4	F 1" 1/4	F 1" 1/4
Water filling solenoid valve	F 1/2"	F 1/2"	F 1/2"	F 1/2"	F 1/2"	F 1/2"
Deoiling oil drain	M 1/2"	M 1/2"	M 1/2"	M 1/2"	M 1/2"	M 1/2"
Compressed air intake	F 1/4"	F 1/4"	F 1/4"	F 1/4"	F 1/4"	F 1/4"
Compressed air blower solenoid valve	F 1"	F 1"	F 1"	F 1"	F 1"	F 1"
Emptying pump	F 1"	F 1"	F 1"	F 1"	F 1"	F 1"
Natural gal/ Gasoil burner flue	Ø130 mm	Ø130 mm	Ø130 mm	Ø130 mm	Ø130 mm	Ø130 mm
Cabin vent outlet	Ø130 mm	Ø130 mm	Ø130 mm	Ø130 mm	Ø130 mm	Ø130 mm



DIMENSIONS AND LAYOUT		R 1000	R 1200	R 1400	R 1800	R 2200	R 2600
<b>L</b>	width	203 cm	226 cm	246 cm	279 cm	326 cm	346 cm
<b>P</b>	depth	260 cm	300 cm	330 cm	395 cm	480 cm	560 cm
<b>H</b>	height	200 cm	210 cm	220 cm	235 cm	240 cm	240 cm
<b>HO</b>	height with opened machine	275 cm	295 cm	315 cm	340 cm	350 cm	350 cm
<b>DL</b>	working diameter	90 cm	110 cm	128 cm	165 cm	200 cm	225 cm
<b>HL</b>	washing height	70 cm	80 cm	90 cm	100 cm	100 cm	100 cm
<b>AC</b>	loading height	95 cm	95 cm	95 cm	95 cm	95 cm	95 cm
<b>LV</b>	tank width	135 cm	155 cm	175 cm	210 cm	255 cm	295 cm
<b>PV</b>	tank depth	135 cm	155 cm	175 cm	210 cm	255 cm	295 cm
<b>W</b>	weight	700 Kg	800 Kg	900 Kg	1100 Kg	1400 kg	1700 kg
<b>RU</b>	noise LT	75 dBa	75 dBa	75 dBa	75 dBa	75 dBa	75 dBa
<b>RU_HT</b>	noise HT	70 dBa	70 dBa	70 dBa	70 dBa	70 dBa	70 dBa

## DIMENSIONS AND LAYOUT



# ROBUR 2B

ROBUR PERFORMS THE SUCCESSFUL **AUTOMATIC WASHING** OF MEDIUM AND LARGE SIZE MECHANICAL PARTS.

Washing is carried out by the action of upper, lower and side nozzles. The slow rotation of the platform is ensured by a gear motor with a torque limiter. A PLC management enables numberless customisations thanks to a wide range of accessories.

In this configuration, parts washers have two separate tanks and carry out both washing and rinsing.



**SPRAY WASHING**



**MOTORIZED ROTATION ON VERTICAL AXIS**



ROBUR 1400 2B



## VERSION

- LT (heating up to 60° C)
- HT (heating up to 80° C)



## CONTROL

- PLC with colour touchscreen
- Option Industry 4.0



## NUMBER OF TANKS

- 2 tanks



## AREAS OF APPLICATION

- Mechanical / Aviation industry
- Surface treatment
- Electronics / Chemicals industry

# ROBUR 2B

1000

1200

1400

1800

2200

2600



## TECHNICAL FEATURES

- Pneumatic opening and closing of the lid with 2 safety hands control
- Timed electric exhaustion of steam
- Aisi 304 stainless steel external trolley with drip tray and wheels with safety brake
- ISO pneumatic cylinders and “fall-proof” pneumatic safety valves
- Thermal tank insulation with Aisi 430 stainless steel panels
- Siemens® electric power parts
- 4” color touchscreen display for settings and programs
- Box filter made up of 6 Aisi 304 SS vertical filters for pre-filtration of the liquid flowing back into the tank
- Aisi 304 stainless steel filter in pump intake
- Triple gasket for door (bottom, top and side) and gaskets on all tank lids
- Structure and sheet metal in contact with liquid in Aisi 304 stainless steel
- Minimum level switch
- Pressure gauge for control of pressure delivered
- Safety limit switch on door opening
- Gearmotor for basket rotation with torque limiter and centering sensor
- Sludge drain hatch for simple tank cleaning
- Reinforced pressed grating platform with galvanized steel raised outer edge
- Multiple-stage vertical electric pump in Aisi 304 stainless steel with special seals
- Manually adjustable washing pressure
- Weekly programming to start heating and deoiler (if installed)
- IP65 electrical system, management via PLC touchscreen (DGT V4)
- Heating of the liquid with stainless steel electric heating element
- Internal welding bleaching
- Tanks accessible from the outside
- Stainless steel bottom section load-bearing structure
- Aisi 304 stainless steel washing pipelines with professional stainless steel flat nozzles
- Drain valves for emptying tanks
- Manual water filling valve

## HT VERSION

- Heat insulation with Aisi 430 stainless steel panels

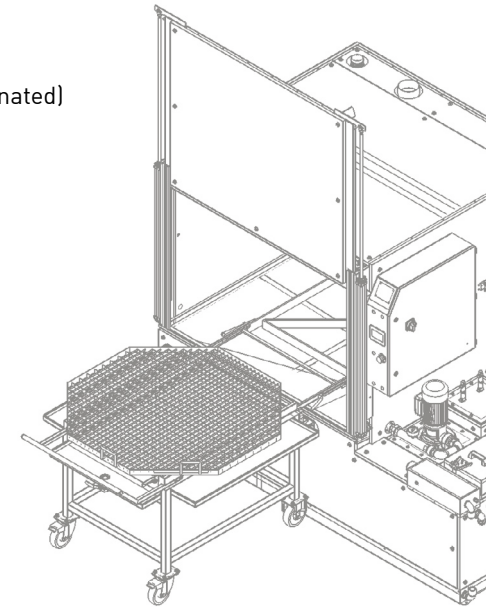
# AUTOMATIC WASHING

TECHNICAL DATA	R 1000 2B	R 1200 2B	R 1400 2B	R 1800 2B	R 2200 2B	R 2600 2B
Load capacity	600 kg	600 kg	600 kg	800 kg	800 kg	800 kg
Tank 1 capacity	300 lt	400 lt	500 lt	700 lt	800 lt	800 lt
Tank 2 capacity	300 lt	400 lt	500 lt	700 lt	800 lt	800 lt
Pump 1	4,0 kW 5 bar 250 lt/min	4,0 kW 5 bar 280 lt/min	4,0 kW 5 bar 300 lt/min	5,5 kW 5 bar 350 lt/min	5,5 kW 5 bar 400 lt/min	5,5 kW 5 bar 400 lt/min
High pressure pump 1	5,5 kW 7,5 bar 250 lt/min	5,5 kW 7,5 bar 280 lt/min	5,5 kW 7,5 bar 300 lt/min	7,5 kW 7,5 bar 350 lt/min	7,5 kW 7,5 bar 400 lt/min	7,5 kW 7,5 bar 400 lt/min
Pump 2	2,2kw 2,5bar 250lt/min	2,2kw 2,5bar 280lt/min	2,2kw 2,5bar 300lt/min	3kw 2,5bar 350lt/min	3kw 2,5bar 400lt/min	3kw 2,5bar 450lt/min
Heating tank 1	12 kW	12 kW	18 kW	24 kW	30 kW	30 kW
Heating tank 2	12 kW	12 kW	18 kW	24 kW	30 kW	30 kW
Motor for parts rotation	0,18 kW	0,18 kW	0,18 kW	0,18 kW	0,18 kW	0,18 kW
Steam exhauster	0,25 kw 320 Nmc/h	0,25 kw 320 Nmc/h	0,37 kw 580 Nmc/h	0,37 kw 580 Nmc/h	2 x 0,37 kw 580 Nmc/h	2 x 0,37 kw 580 Nmc/h
Disk oil separator	0,09 kW	0,09 kW	0,09 kW	0,09 kW	0,09 kW	0,09 kW
Compressed air blowing	160 Nmc/h @ 4 bar	170 Nmc/h @ 4 bar	200 Nmc/h @ 4 bar	240 Nmc/h @ 4 bar	275 Nmc/h @ 4 bar	350 Nmc/h @ 4 bar
Steam condenser	0,20 kW	0,20 kW	0,48 kW	0,48 kW	0,48 kW	0,48 kW
Tank emptying pump	0,37 kW	0,37 kW	0,37 kW	0,37 kW	0,37 kW	0,37 kW
Drying	5,2 kW	5,2 kW	5,2 kW	8,2 kW	8,2 kW	8,2 kW

## ACCESSORIES

- Maximum liquid level control and filling solenoid valve
- Compressed air blowing
- Hot air drying with resistor and air blade side channel blower
- Demineralizer with mixed resins and conductivity meter
- Increased washing height
- Centrifugal steam condenser (S - M)
- Additional basket/platform
- Stainless steel Aisi 304 additional external trolley
- Automatic liquid detergent dispenser (available for Tank 1 / 2)
- Disc oil separator with dedicated motorization
- External pneumatic oil separator
- Bag filter in stainless steel
- Magnetic spark plug for bag filter for ferrite powder
- Device for remote connection and remote support for HMI Weintek
- Kit for Industry 4.0 for HMI Weintek
- Manual washing and blowing with hoses and washing nozzle
- 80 bar manual washing and blowing with hoses and washing nozzle (both for LT or for HT available)
- Motorised movement of the platform for loading and unloading [C]
- Kit for use with abrasive contaminants in the washing liquid

- Stainless steel fittings and valves kit (for parts that are in contact with liquids)
- PLC Siemens® S7 1200 - HMI touchscreen Weintek
- High pressure washing pump
- High pressure rinsing pump
- Circulating pump from tank 2 (most clean) to tank 1 (most contaminated)
- Insulated stainless steel roller shutter front door
- Platform and spider in stainless steel Aisi 304
- External platform with hydraulic elevator
- Stainless steel AISI 304 retention tank with drip-catcher
- Rinsing by water supply and direct drain outlet
- Nebulized rinse from water mains, draining into the washing tank
- Compressed air blowing with upper pipe adjustable in height
- Tank on the opposite side when compared to standard
- Removable edges for grating in stainless steel, H 200 mm
- Tanks emptying pump (2)
- Signal tower for indicating system status
- Loading/ unloading external station ( second platform included)

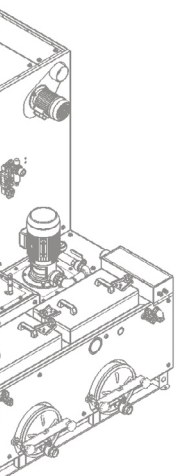


### ACCESSORIES NOTES LEGEND

C: the useful washing height is reduced by 130 mm

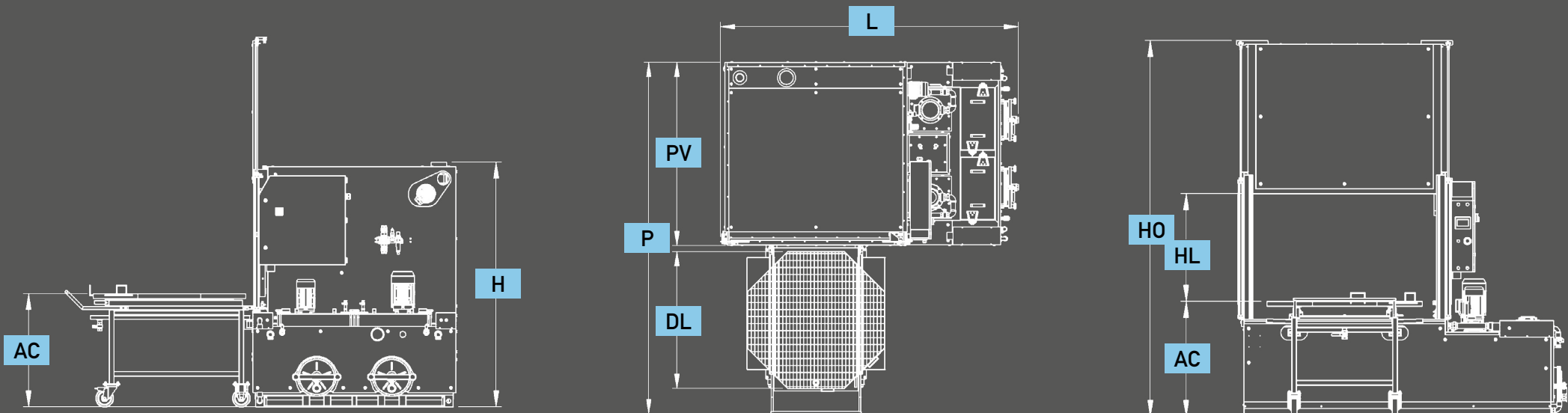
CONNECTIONS	R 1000 2B	R 1200 2B	R 1400 2B	R 1800 2B	R 2200 2B	R 2600 2B
Steam extraction	Ø80 mm	Ø80 mm	Ø100 mm	Ø100 mm	2 x Ø100 mm	2 x Ø100 mm
Tank liquid drain	2 x F 1" 1/4	2 x F 1" 1/4	2 x F 1" 1/4	2 x F 1" 1/4	2 x F 1" 1/4	2 x F 1" 1/4
Water filling solenoid valve	2 x F 1/2"	2 x F 1/2"	2 x F 1/2"	2 x F 1/2"	2 x F 1/2"	2 x F 1/2"
Deoiling oil drain	M 1/2"	M 1/2"	M 1/2"	M 1/2"	M 1/2"	M 1/2"
Compressed air intake	F 1/4"	F 1/4"	F 1/4"	F 1/4"	F 1/4"	F 1/4"
Compressed air blower solenoid valve	F 1"	F 1"	F 1"	F 1"	F 1"	F 1"
Emptying pump	F 1"	F 1"	F 1"	F 1"	F 1"	F 1"
Overflow drain	2 x 1"	2 x 1"	2 x 1"	2 x 1"	2 x 1"	2 x 1"
Cabin vent outlet	Ø130 mm	Ø130 mm	Ø130 mm	Ø130 mm	Ø130 mm	Ø130 mm

**ROBUR 2B**



DIMENSIONS AND LAYOUT		R 1000 2B	R 1200 2B	R 1400 2B	R 1800 2B	R 2200 2B	R 2600 2B
<b>L</b>	width	242 cm	265 cm	285 cm	318 cm	365 cm	405 cm
<b>P</b>	depth	260 cm	300 cm	330 cm	395 cm	480 cm	560 cm
<b>H</b>	height	200 cm	210 cm	220 cm	235 cm	240 cm	240 cm
<b>HO</b>	height with opened machine	275 cm	295 cm	315 cm	340 cm	350 cm	350 cm
<b>DL</b>	working diameter	90 cm	110 cm	128 cm	165 cm	200 cm	225 cm
<b>HL</b>	washing height	70 cm	80 cm	90 cm	100 cm	100 cm	100 cm
<b>AC</b>	loading height	95 cm	95 cm	95 cm	95 cm	95 cm	95 cm
<b>LV</b>	tank width	135 cm	155 cm	175 cm	210 cm	255 cm	295 cm
<b>PV</b>	tank depth	135 cm	155 cm	175 cm	210 cm	255 cm	295 cm
<b>W</b>	weight	900 Kg	1050 Kg	1300 Kg	1700 Kg	2100 kg	3000 kg
<b>RU</b>	noise LT	75 dBa	75 dBa	75 dBa	75 dBa	75 dBa	75 dBa
<b>RU_HT</b>	noise HT	70 dBa	70 dBa	70 dBa	70 dBa	70 dBa	70 dBa

## DIMENSIONS AND LAYOUT



# ROBUR 3B

ROBUR PERFORMS THE SUCCESSFUL  
**AUTOMATIC WASHING**  
OF MEDIUM AND LARGE SIZE  
MECHANICAL PARTS.

Washing is carried out by the action of upper, lower and side nozzles. The slow rotation of the platform is ensured by a gear motor with a torque limiter. A PLC management enables numberless customisations thanks to a wide range of accessories.

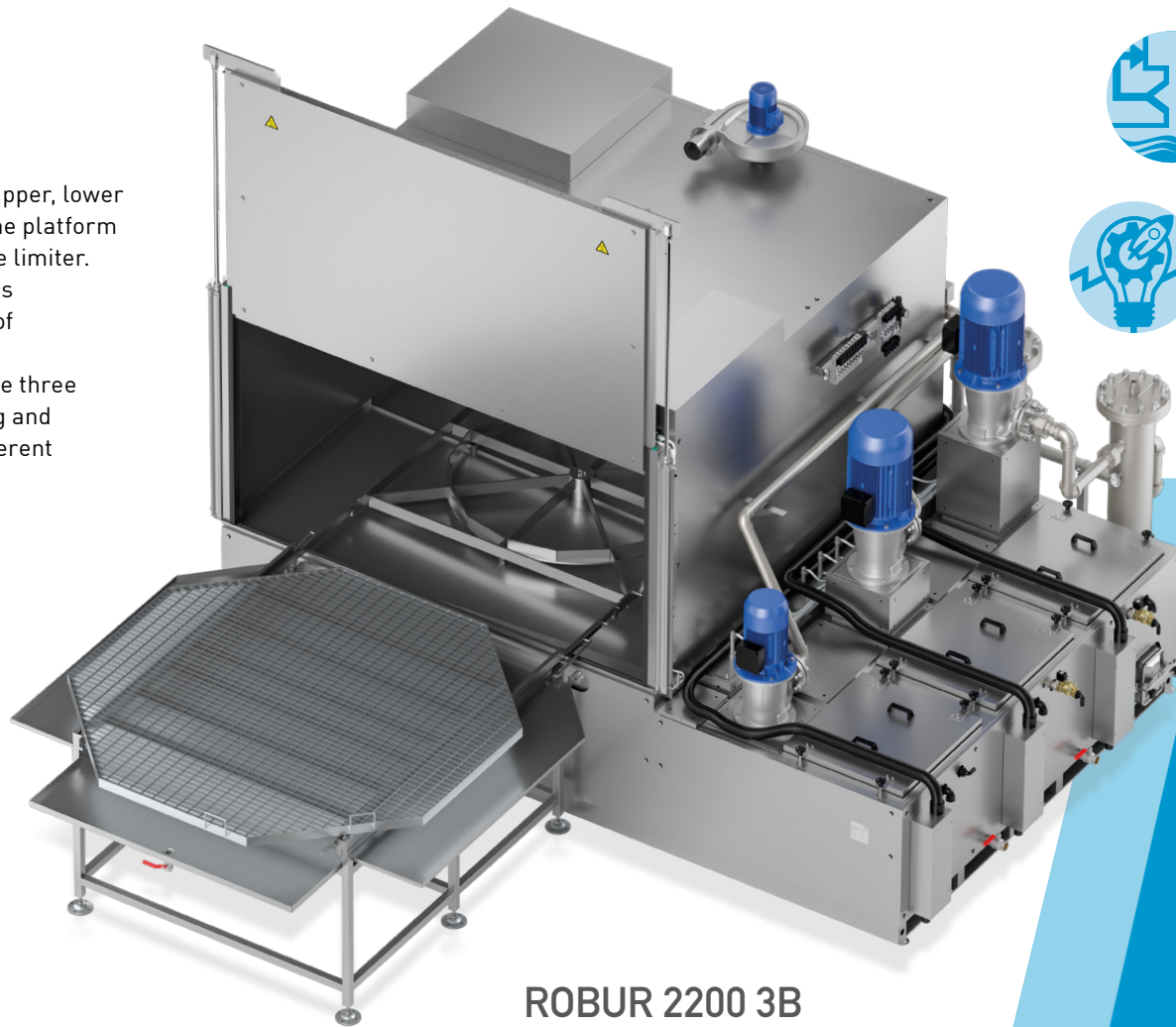
In this configuration, parts washers have three separate tanks to carry out one washing and two rinsings, or two washings (with different detergents) and one rinsing.



**SPRAY  
WASHING**



**MOTORIZED  
ROTATION ON  
VERTICAL AXIS**



ROBUR 2200 3B



## VERSION

- LT (heating up to 60° C)
- HT (heating up to 80° C)



## CONTROL

- PLC with colour touchscreen
- Option Industry 4.0



## NUMBER OF TANKS

- 3 tanks



## AREAS OF APPLICATION

- Mechanical / Aviation industry
- Surface treatment
- Electronics / Chemicals industry

# ROBUR 3B

1400

1800

2200

2600

## TECHNICAL FEATURES

- Pneumatic opening and closing of the lid with 2 safety hands control
- Timed electric exhaustion of steam
- Aisi 304 stainless steel external trolley with drip tray and wheels with safety brake
- ISO pneumatic cylinders and “fall-proof” pneumatic safety valves
- Thermal tank insulation with Aisi 430 stainless steel panels
- Siemens® electric power parts
- 4” color touchscreen display for settings and programs
- Box filter made up of 6 Aisi 304 SS vertical filters for pre-filtration of the liquid flowing back into the tank
- Aisi 304 stainless steel filter in pump intake
- Triple gasket for door (bottom, top and side) and gaskets on all tank lids
- Structure and sheet metal in contact with liquid in Aisi 304 stainless steel
- Minimum level switch
- Pressure gauge for control of pressure delivered
- Safety limit switch on door opening

- Gearmotor for basket rotation with torque limiter and centering sensor
- Sludge drain hatch for simple tank cleaning
- Reinforced pressed grating platform with galvanized steel raised outer edge
- Multiple-stage vertical electric pump in Aisi 304 stainless steel with special seals
- Manually adjustable washing pressure
- Weekly programming to start heating and deoiler (if installed)
- IP65 electrical system, management via PLC touchscreen (DGT V4)
- Heating of the liquid with stainless steel electric heating element
- Internal welding bleaching
- Tanks accessible from the outside
- Stainless steel bottom section load-bearing structure
- Aisi 304 stainless steel washing pipelines with professional stainless steel flat nozzles
- Drain valves for emptying tanks
- Manual water filling valve

## HT VERSION

- Heat insulation with Aisi 430 stainless steel panels

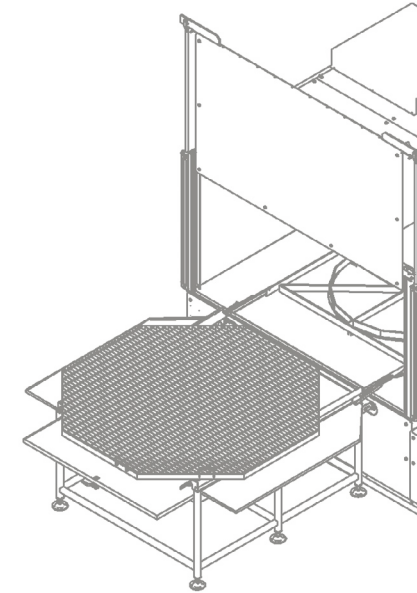
# AUTOMATIC WASHING

TECHNICAL DATA	R 1400 3B	R 1800 3B	R 2200 3B	R 2600 3B
Load capacity	600 kg	800 kg	800 kg	800 kg
Tank 1 capacity	500 lt	700 lt	800 lt	800 lt
Tank 2 capacity	500 lt	700 lt	800 lt	800 lt
Tank 3 capacity	500 lt	700 lt	800 lt	800 lt
Pump 1	4,0 kW 5 bar 300 lt/min	5,5 kW 5 bar 350 lt/min	5,5 kW 5 bar 400 lt/min	5,5 kW 5 bar 400 lt/min
High pressure pump 1	5,5 kW 7,5 bar 300 lt/min	7,5 kW 7,5 bar 350 lt/min	7,5 kW 7,5 bar 400 lt/min	7,5 kW 7,5 bar 400 lt/min
Pump 2	2,2 kw 2,5 bar 300 lt/min	3 kw 2,5 bar 350 lt/min	3 kw 2,5 bar 400 lt/min	3 kw 2,5 bar 400 lt/min
Pump 3	2,2 kw 2,5 bar 300 lt/min	3 kw 2,5 bar 350 lt/min	3 kw 2,5 bar 400 lt/min	3 kw 2,5 bar 400 lt/min
Heating tank 1	18 kW	24 kW	30 kW	30 kW
Heating tank 2	18 kW	24 kW	30 kW	30 kW
Heating tank 3	18 kW	24 kW	30 kW	30 kW
Motor for parts rotation	0,18 kW	0,18 kW	0,18 kW	0,18 kW
Steam exhauster	0,37 kw 580 Nmc/h	0,37 kw 580 Nmc/h	2 x 0,37 kw 580 Nmc/h	2 x 0,37 kw 580 Nmc/h
Disk oil separator	0,09 kW	0,09 kW	0,09 kW	0,09 kW
Compressed air blowing	200 Nmc/h @ 4 bar	240 Nmc/h @ 4 bar	275 Nmc/h @ 4 bar	350 Nmc/h @ 4 bar
Steam condenser	0,48 kW	0,48 kW	0,48 kW	0,48 kW
Tank emptying pump	0,37 kW	0,37 kW	0,37 kW	0,37 kW
Drying	5,2 kW	8,2 kW	8,2 kW	8,2 kW

## ACCESSORIES

- Maximum liquid level control and filling solenoid valve
- Compressed air blowing
- Hot air drying with resistor and air blade side channel blower
- Demineralizer with mixed resins and conductivity meter
- Increased washing height
- Centrifugal steam condenser M
- Additional basket/platform
- Stainless steel Aisi 304 additional external trolley
- Automatic liquid detergent dispenser
- Disc oil separator with dedicated motorization
- External pneumatic oil separator
- Bag filter in stainless steel
- Magnetic spark plug for bag filter for ferrite powder
- Device for remote connection and remote support for HMI Weintek
- Kit for Industry 4.0 for HMI Weintek
- Manual washing and blowing with hoses and washing nozzle
- 80 bar manual washing and blowing with hoses and washing nozzle (both for LT or for HT available)
- Motorised movement of the platform for loading and unloading [C]
- Kit for use with abrasive contaminants in the washing liquid

- Stainless steel fittings and valves kit ( for parts that are in contact with liquids)
- PLC Siemens® S7 1200 - HMI touchscreen Weintek
- High pressure washing pump
- High pressure rinsing pump
- Circulating pump from cleaner to more contaminated tank
- Insulated stainless steel roller shutter front door
- Platform and spider in stainless steel Aisi 304
- External platform with hydraulic elevator
- Stainless steel Aisi 304 retention tank with drip-catcher
- Rinsing by water supply and direct drain outlet
- Nebulized rinse from water mains, draining into the washing tank
- Compressed air blowing with upper pipe adjustable in height
- Tank on the opposite side when compared to standard
- Removable edges for grating in stainless steel, H 200 mm
- Tanks emptying pump (3)
- Signal tower for indicating system status
- Loading / unloading external station (second platform included)

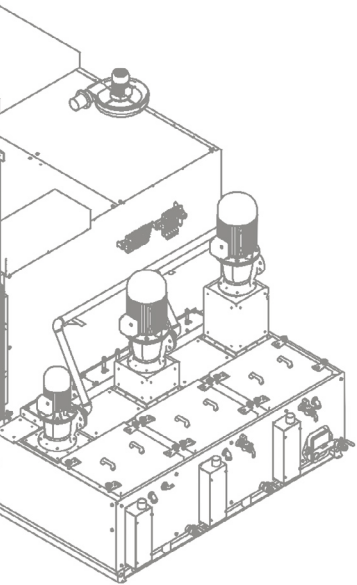


### ACCESSORIES NOTES LEGEND

C: the useful washing height is reduced by 130 mm

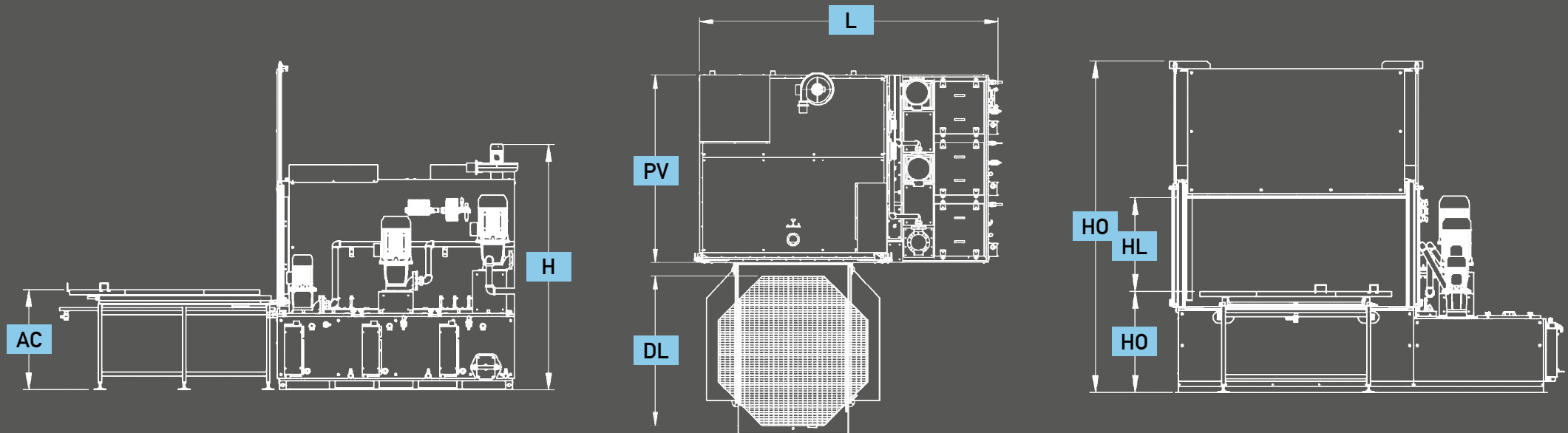
CONNECTIONS	R 1400 3B	R 1800 3B	R 2200 3B	R 2600 3B
Steam extraction	Ø100 mm	Ø100 mm	2 x Ø100 mm	2 x Ø100 mm
Tank liquid drain	3 x F 1" 1/4	3 x F 1" 1/4	3 x F 1" 1/4	3 x F 1" 1/4
Water filling solenoid valve	3 x F 1/2"	3 x F 1/2"	3 x F 1/2"	3 x F 1/2"
Deoiling oil drain	M 1/2"	M 1/2"	M 1/2"	M 1/2"
Compressed air intake	F 1/4"	F 1/4"	F 1/4"	F 1/4"
Compressed air blower solenoid valve	F 1"	F 1"	F 1"	F 1"
Emptying pump	F 1"	F 1"	F 1"	F 1"
Overflow drain	3 x 1"	3 x 1"	3 x 1"	3 x 1"
Cabin vent outlet	Ø130 mm	Ø130 mm	Ø130 mm	Ø130 mm

**ROBUR 3B**



	DIMENSIONS AND LAYOUT	R 1400 3B	R 1800 3B	R 2200 3B	R 2600 3B
<b>L</b>	width	305 cm	338 cm	385 cm	435 cm
<b>P</b>	depth	330 cm	395 cm	480 cm	560 cm
<b>H</b>	height	220 cm	235 cm	240 cm	240 cm
<b>HO</b>	height with opened machine	315 cm	340 cm	350 cm	350 cm
<b>DL</b>	working diameter	128 cm	165 cm	200 cm	225 cm
<b>HL</b>	washing height	90 cm	100 cm	100 cm	100 cm
<b>AC</b>	loading height	95 cm	95 cm	95 cm	95 cm
<b>LV</b>	tank width	175 cm	210 cm	255 cm	295 cm
<b>PV</b>	tank depth	175 cm	210 cm	255 cm	295 cm
<b>W</b>	weight	1500 Kg	1900 Kg	2400 kg	3500 kg
<b>RU</b>	noise LT	75 dBa	75 dBa	75 dBa	75 dBa
<b>RU_HT</b>	noise HT	70 dBa	70 dBa	70 dBa	70 dBa

## DIMENSIONS AND LAYOUT



Our catalogue  
ROBUR LINE



SCAN THE QR-CODE  
download our catalogue ROBUR LINE

www.teknox.net



TEKNOX ITALY

ADDRESS

Via Mori, 6  
40054 Prunaro di Budrio  
Bologna - Italy

PHONE

+ 39 051 800862

FAX

+ 39 051 803769

EMAIL

info@teknox.net

THIS CATALOGUE REPLACES ANY PREVIOUS PUBLICATION.  
THE DATA PROVIDED ARE INDICATIVE AND WE RESERVE THE RIGHT TO CHANGE THEM WITHOUT NOTICE.

Copyright © 2020 TEKNOX s.r.l.