



**ESPANGO**



**MADE IN ITALY**

# **POOL PUMPS & DOSING SYSTEMS**



## PRODUCT SPECIFICATIONS



# MP1Speedy-pH

Digital Dosing pump  
with pH control on-board



- Compact Peristaltic digital pump with a built-in pH controller
- Adjustable Setpoint between 6.0pH e 8.0pH
- Realtime display visualisation of the pH
- Probe efficiency indication
- Standard dosing mode (pH-) ACID Dosing
- Automatic calibration of just one pH point (pH7) using only one button!
- Easy installation and minimal maintenance
- 2 x 7 Segments digital display and one alarm led
- PP CASE and pump body, reinforced 30% talk
- IP 55 protection
- Security and reliability
- Polycarbonate front panel
- Wall mounting with stirrup
- 2,5 mt power supply cable
- Level alarm and overdosing protection integrated in the software

### Optional:

- **On-Off Button**
- **COMPLETE PACKAGE:**

*Upon request can be supplied complete with one pH Buffer Solution, pH electrode, electrode holder, Saddle Clamp, all packed in one box.*

## INSTALLATION KIT ( Standard )



Mounting Bracket+ Screws	Suction Tube 2mt PVC	Inj. Tube 2mt PE	PP Injection Valve	PP Foot Filter
--------------------------	-------------------------	---------------------	--------------------	----------------

## COMPLETE PACKAGE Extra KIT ( Optional )

1 x pH Electrode (Short type)	1 x ½" Pipeline Electrode Holder, made of PP 30% talk reinforced	2 x Saddle Clamp for Φ50 mm tubes, with ½" connection for electrode holder.	1 x 50cc pH 7 buffer solution bottle.
-------------------------------	------------------------------------------------------------------	-----------------------------------------------------------------------------	---------------------------------------

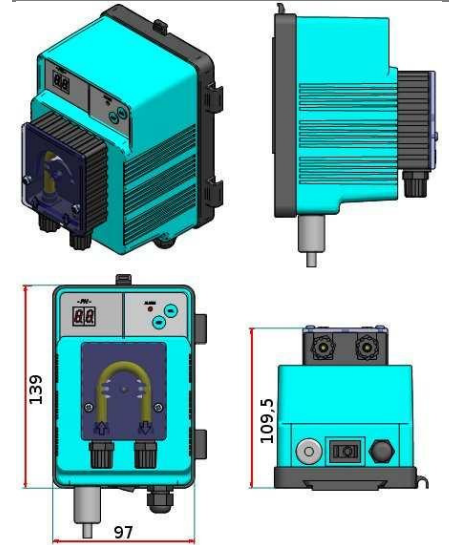
## TECHNICAL INFORMATION

Code	Lt/h	ML/RPM	Bar	RPM/Min	ML/Min	Watt	Tube
S20AA0101300	1	0,56	1	30	16,7	8	4x6 mm

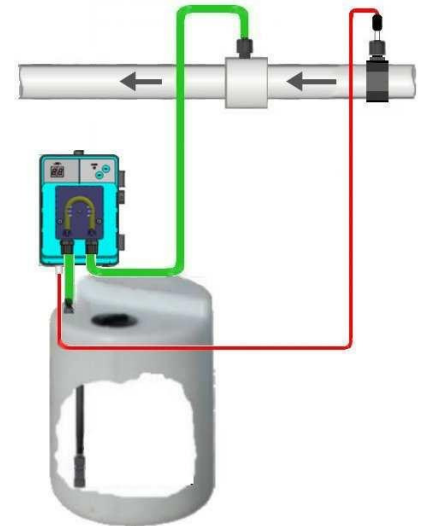
## APPLICATIONS

- Residential Swimming Pools
- Water Treatment

## PUMP VIEW (mm)



## INSTALLATION EXAMPLE



## LIQUID ENDS

Component	Standard	Optional
Fittings	PP	
Tube	Santoprene 4x7	TYGON or Silicon
Internal lip valve	VITON	
Injection fittings	PP	
Non return foot filter	PP-Viton	

## PACKAGE (cm / Kg)

Pump: 15,5 x 18 x 22	1,80
Multipack ( 9 Psz ): 50 x 25 x 57	17

## NOTES

- **MADE IN ITALY**
- **100% Tested before delivery**
- **Produced conform to CE laws**

## PRODUCT SPECIFICATIONS



# MP1Speedy-Rx

Digital Dosing pump  
with ORP control on-board



- Compact Peristaltic digital pump with a built-in ORP controller
- Adjustable setpoint between 300mV e 800mV
- Realtime display visualisation of the ORP
- Probe efficiency indication
- Prearranged for CHLORINE dosing
- Automatic calibration of just one Redox point (468mV)
- Easy installation and minimal maintenance
- 2 x 7 Segments digital display and one alarm led
- PP CASE and pump body, reinforced 30% talk
- IP 55 protection
- Security and reliability
- Polycarbonate front panel
- Wall mounting with stirrup
- 2,5 mt power supply cable
- Level alarm and overdosing protection integrated in the software

### Optional:

- **On-Off Button**
- **COMPLETE PACKAGE:**

*Upon request can be supplied complete with one ORP Buffer Solution, ORP electrode, electrode holder, Saddle Clamp, all packed in one box.*

## INSTALLATION KIT ( Standard )



Mounting Bracket+ Screws	Suction Tube 2mt PVC	Inj. Tube 2mt PE	PP Injection Valve	PP Foot Filter
--------------------------	----------------------	------------------	--------------------	----------------

## COMPLETE PACKAGE Extra KIT ( Optional )

1 x ORP Electrode (Short type)	1 x ½" Pipeline Electrode Holder, made of PP 30% talk reinforced	2 x Saddle Clamp for Φ50 mm tubes, with ½" connection for electrode holder.	1 x 50cc 468mV buffer solution bottle.
--------------------------------	------------------------------------------------------------------	-----------------------------------------------------------------------------	----------------------------------------

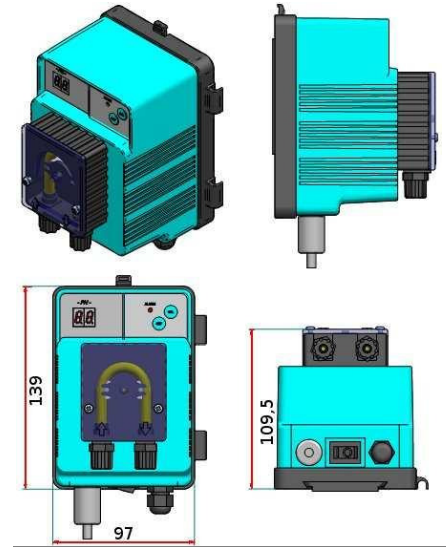
## TECHNICAL INFORMATION

Code	Lt/h	ML/RPM	Bar	RPM/Min	ML/Min	Watt	Tube
S21AA0118300	1,8	1	1	30	30	8	4x6 mm

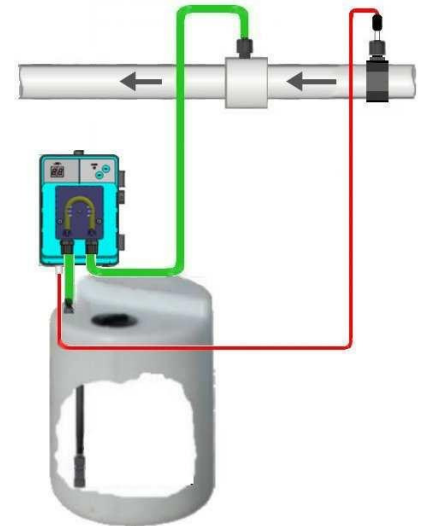
## APPLICATIONS

- Residential Swimming Pools
- Water Treatment

## PUMP VIEW (mm)



## INSTALLATION EXAMPLE



## LIQUID ENDS

Component	Standard	Optional
Fittings	PP	
Tube	Santoprene 4x7	TYGON or Silicon
Internal lip valve	VITON	
Injection fittings	PP	
Non return foot filter	PP-Viton	

## PACKAGE (cm / Kg)

Pump: 15,5 x 18 x 22	1,80
Multipack ( 9 Psz ): 50 x 25 x 57	17

## NOTES

- **MADE IN ITALY**
- **100% Tested before delivery**
- **Produced conform to CE laws**

## PRODUCT SPECIFICATIONS



# MP2Speedy-pH

Digital Dosing pump  
with pH control on-board



- Compact Peristaltic digital pump with a built-in pH controller
- Adjustable Setpoint between 6.0pH e 8.0pH
- Realtime display visualisation of the pH
- Probe efficiency indication
- Standard dosing mode (pH-) ACID Dosing
- Automatic calibration of just one pH point (pH7) using only one button!
- Easy installation and minimal maintenance
- 2 x 7 Segments digital display and one alarm led
- PP CASE and pump body, reinforced 30% Glass Fiber
- IP 65 protection
- Security and reliability
- Polycarbonate front panel
- Wall mounting with stirrup
- 2,5 mt power supply cable
- Level alarm and overdosing protection integrated in the software

### Optional:

- *On-Off Button*
- **COMPLETE PACKAGE:**

*Upon request can be supplied complete with one pH Buffer Solution, pH electrode, electrode holder, Saddle Clamp, all packed in one box.*

## INSTALLATION KIT ( Standard )



Mounting Bracket+ Screws	Suction Tube 2mt PVC	Inj. Tube 2mt PE	PP Injection Valve	PP Foot Filter
--------------------------	----------------------	------------------	--------------------	----------------

## COMPLETE PACKAGE Extra KIT ( Optional )

1 x pH Electrode (Short type)	1 x 1/2" Pipeline Electrode Holder, made of PP 30% talk reinforced	2 x Saddle Clamp for Ø50 mm tubes, with 1/2" connection for electrode holder.	1 x 50cc pH 7 buffer solution bottle.
-------------------------------	--------------------------------------------------------------------	-------------------------------------------------------------------------------	---------------------------------------

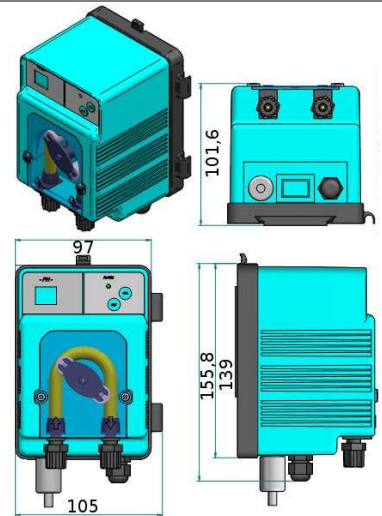
## TECHNICAL INFORMATION

Code	Lt/h	ML/RPM	Bar	RPM/Min	ML/Min	Watt	Tube
S24AA0115300	1,5	2,5	1	10	25	8	4x6 mm

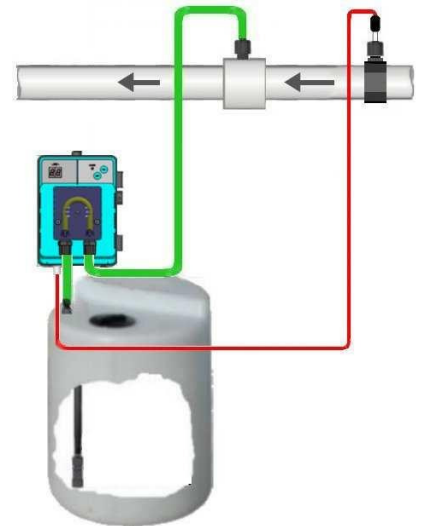
## APPLICATIONS

- Residential Swimming Pools
- Water Treatment

## PUMP VIEW (mm)



## INSTALLATION EXAMPLE



## LIQUID ENDS

Component	Standard	Optional
Fittings	PP	
Tube	Santoprene 4x7	TYGON or Silicon
Internal lip valve	VITON	
Injection fittings	PP	
Non return foot filter	PP-Viton	

## PACKAGE (cm / Kg)

 Pump: 15,5 x 18 x 22 Multipack ( 9 Psz ): 50 x 25 x 57	 1,80 17
---------------------------------------------------------------	----------------

## NOTES

- **MADE IN ITALY**
- **100% Tested before delivery**
- **Produced conform to CE laws**

Rev 2.0

Technical Datasheet



## PRODUCT SPECIFICATIONS



# MP2Speedy-Rx

Digital Dosing pump  
with ORP control on-board



- Compact Peristaltic digital pump with a built-in ORP controller
- Adjustable setpoint between 300mV e 800mV
- Realtime display visualisation of the ORP
- Probe efficiency indication
- Prearranged for CHLORINE dosing
- Automatic calibration of just one Redox point (468mV)
- Easy installation and minimal maintenance
- 2 x 7 Segments digital display and one alarm led
- PP CASE and pump body, reinforced 30% talk
- IP 65 protection
- Security and reliability
- Polycarbonate front panel
- Wall mounting with stirrup
- 2,5 mt power supply cable
- Level alarm and overdosing protection integrated in the software

### Optional:

- **On-Off Button**
- **COMPLETE PACKAGE:**

*Upon request can be supplied complete with one ORP Buffer Solution, ORP electrode, electrode holder, Saddle Clamp, all packed in one box.*

## INSTALLATION KIT ( Standard )



Mounting Bracket+ Screws	Suction Tube 2mt PVC	Inj.Tube 2mt PE	PP Injection Valve	PP Foot Filter
--------------------------	----------------------	-----------------	--------------------	----------------

## COMPLETE PACKAGE Extra KIT ( Optional )

1 x ORP Electrode (Short type)	1 x 1/2" Pipeline Electrode Holder, made of PP 30% talk reinforced	2 x Saddle Clamp for Ø50 mm tubes, with 1/2" connection for electrode holder.	1 x 50cc 468mV buffer solution bottle.
--------------------------------	--------------------------------------------------------------------	-------------------------------------------------------------------------------	----------------------------------------

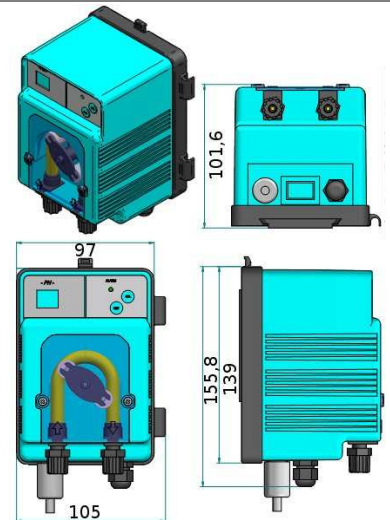
## TECHNICAL INFORMATION

Code	Lt/h	ML/RPM	Bar	RPM/Min	ML/Min	Watt	Tube
S25AA0103300	3	1,5	1	30	50	8	4x6 mm

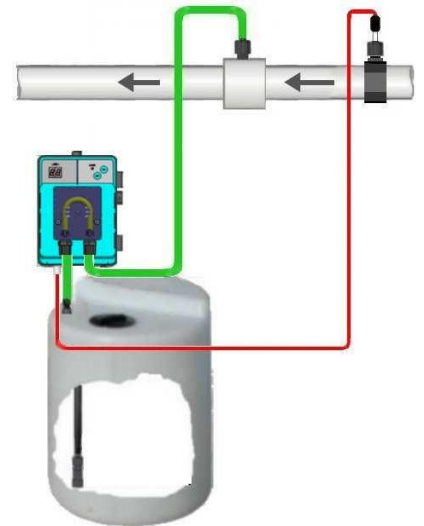
## APPLICATIONS

- Residential Swimming Pools
- Water Treatment

## PUMP VIEW (mm)



## INSTALLATION EXAMPLE



## LIQUID ENDS

Component	Standard	Optional
Fittings	PP	
Tube	Santoprene 4x7	TYGON or Silicon
Internal lip valve	VITON	
Injection fittings	PP	
Non return foot filter	PP-Viton	

## PACKAGE (cm / Kg)

 Pump: 15,5 x 18 x 22 Multipack ( 9 Psz ): 50 x 25 x 57	 1,80 17
---------------------------------------------------------------	----------------

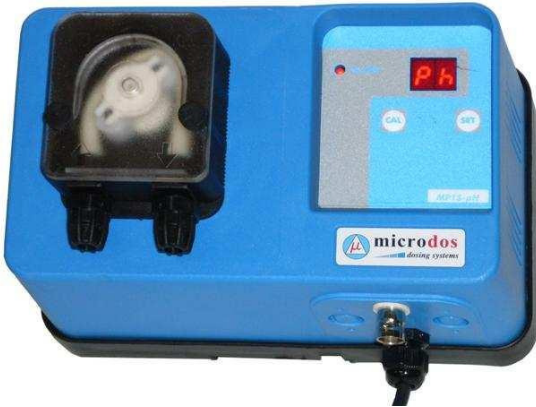
## NOTES

- **MADE IN ITALY**
- **100% Tested before delivery**
- **Produced conform to CE laws**

Rev 2.0

Technical Datasheet

## PRODUCT SPECIFICATIONS



# MP1S-pH

Digital Dosing pump  
with pH control  
on-board



- Compact Peristaltic digital pump with a built-in pH controller
- Adjustable Setpoint between 6.0pH e 8.0pH
- Realtime display visualisation of the pH
- Probe efficiency indication
- Standard dosing mode (pH-) ACID Dosing
- Automatic calibration of just one pH point (pH7) using only one button!
- Easy installation and minimal maintenance
- 2 x 7 Segments digital display and one alarm led
- PP CASE and pump body, reinforced 30% talk
- IP 55 protection
- Security and reliability
- Polycarbonate front panel
- Wall mounting with stirrup
- 2,5 mt power supply cable
- Level alarm and overdosing protection integrated in the software

### Optional:

- On-Off Button

### COMPLETE PACKAGE:

*Upon request can be supplied complete with one pH Buffer Solution, pH electrode, electrode holder, Saddle Clamp, all packed in one box.*

## INSTALLATION KIT ( Standard )



Mounting Bracket+ Screws	Suction Tube 2mt PVC	Inj. Tube 2mt PE	PP Injection Valve	PP Foot Filter
--------------------------	----------------------	------------------	--------------------	----------------

## COMPLETE PACKAGE Extra KIT ( Optional )

1 x pH Electrode (Short type)	1 x 1/2" Pipeline Electrode Holder, made of PP 30% talk reinforced	2 x Saddle Clamp for $\Phi 50$ mm tubes, with 1/2" connection for electrode holder.	1 x 50cc pH 7 buffer solution bottle.
-------------------------------	--------------------------------------------------------------------	-------------------------------------------------------------------------------------	---------------------------------------

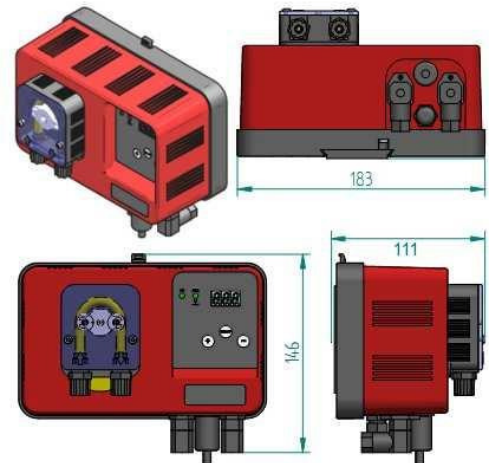
## TECHNICAL INFORMATION

Code	Lt/h	ML/RPM	Bar	RPM/Min	ML/Min	Watt	Tube
S08AA0101300	1	0,56	1	30	16,7	8	4x6 mm

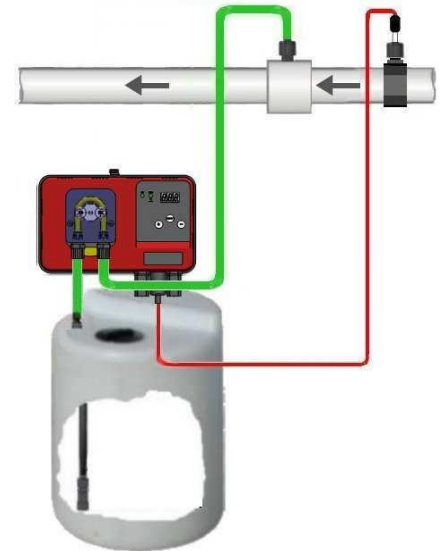
## APPLICATIONS

- Residential Swimming Pools
- Water Treatment

## PUMP VIEW (mm)



## INSTALLATION EXAMPLE



## LIQUID ENDS

Component	Standard	Optional
Fittings	PP	
Tube	Santoprene 4x7	TYGON or Silicon
Internal lip valve	VITON	
Injection fittings	PP	
Non return foot filter	PP-Viton	

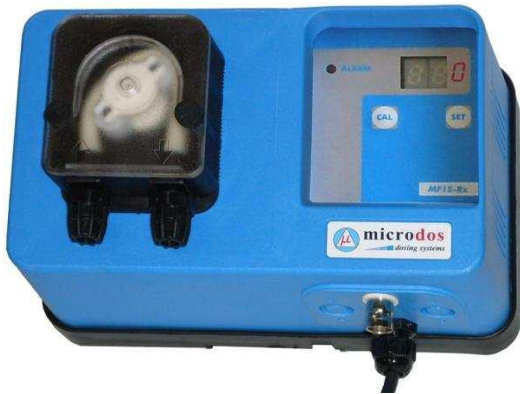
## PACKAGE (cm / Kg)

Dimensions (cm)	Weight (Kg)
Pump: 15 x 23 x 28	1,9
Multipack ( 6 Psz ): 50 x 25 x 57	12

## NOTES

- MADE IN ITALY
- 100% Tested before delivery
- Produced conform to CE laws

## PRODUCT SPECIFICATIONS



# MP1S-Rx

Digital Dosing pump  
with ORP control  
on-board



- Compact Peristaltic digital pump with a built-in ORP controller
- Adjustable setpoint between 300mV e 800mV
- Realtime display visualisation of the ORP
- Probe efficiency indication
- Prearranged for CHLORINE dosing
- Automatic calibration of just one Redox point (468mV)
- Easy installation and minimal maintenance
- 2 x 7 Segments digital display and one alarm led
- PP CASE and pump body, reinforced 30% talk
- IP 55 protection
- Security and reliability
- Polycarbonate front panel
- Wall mounting with stirrup
- 2,5 mt power supply cable
- Level alarm and overdosing protection integrated in the software

### Optional:

- On-Off Button

### COMPLETE PACKAGE:

*Upon request can be supplied complete with one ORP Buffer Solution, ORP electrode, electrode holder, Saddle Clamp, all packed in one box.*

## INSTALLATION KIT ( Standard )



Mounting Bracket+ Screws	Suction Tube 2mt PVC	Inj.Tube 2mt PE	PP Injection Valve	PP Foot Filter
--------------------------	----------------------	-----------------	--------------------	----------------

## COMPLETE PACKAGE Extra KIT ( Optional )

1 x ORP Electrode (Short type)	1 x 1/2" Pipeline Electrode Holder, made of PP 30% talk reinforced	2 x Saddle Clamp for $\Phi 50$ mm tubes, with 1/2" connection for electrode holder.	1 x 50cc 468mV buffer solution bottle.
--------------------------------	--------------------------------------------------------------------	-------------------------------------------------------------------------------------	----------------------------------------

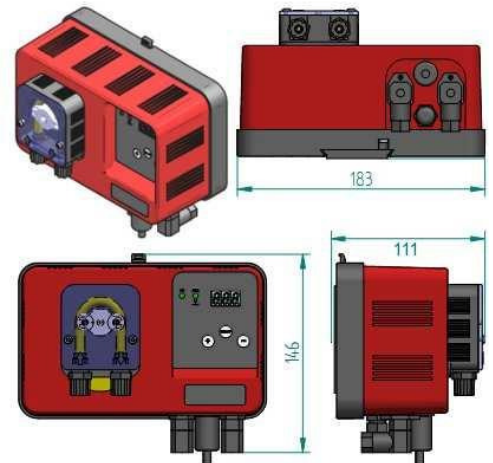
## TECHNICAL INFORMATION

Code	Lt/h	ML/RPM	Bar	RPM/Min	ML/Min	Watt	Tube
S09AA0118300	1,8	1	1	30	30	8	4x6 mm

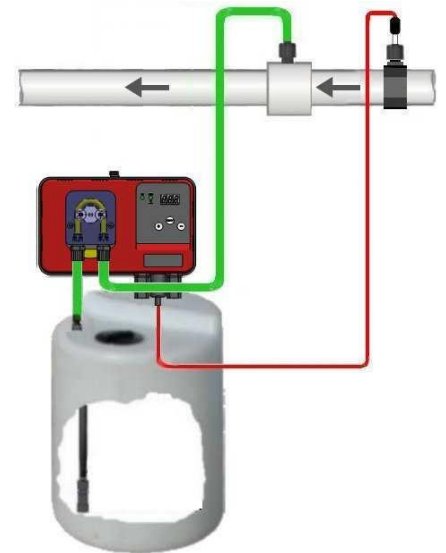
## APPLICATIONS

- Residential Swimming Pools
- Water Treatment

## PUMP VIEW (mm)



## INSTALLATION EXAMPLE



## LIQUID ENDS

Component	Standard	Optional
Fittings	PP	
Tube	Santoprene 4x7	TYGON or Silicon
Internal lip valve	VITON	
Injection fittings	PP	
Non return foot filter	PP-Viton	

## PACKAGE (cm / Kg)

 Pump: 15 x 23 x 28 Multipack ( 6 Psz ): 50 x 25 x 57	 1,90 12
-------------------------------------------------------------	----------------

## NOTES

- MADE IN ITALY
- 100% Tested before delivery
- Produced conform to CE laws

## PRODUCT SPECIFICATIONS



# MP1-pH

Digital Dosing pump  
with pH control  
on-board



- Compact Peristaltic digital pump with a built-in pH controller
- Adjustable Setpoint (Defined by user), 0 - 14 pH reading range
- Proportionality greatness field presetted to a value of 1 pH
- Realtime display visualisation of the pH
- Manual dosing selection for pH+ or pH-
- Probe efficiency indication
- Semi-automatic probe calibration
- Constant functioning mode.
- 5 state and programming leds.
- Accessories kit with a 1/2" injection valve
- Easy installation and minimal maintenance
- 3 x 7 Segments digital display and one alarm led
- PP CASE and pump body, reinforced 30% talk
- IP 55 protection
- Security and reliability
- Polycarbonate front panel
- Wall mounting with stirrup
- 2,5 mt power supply cable
- Level alarm and overdosing protection integrated in the software

### Optional:

- Low Level Switch sensor
- Filtration pump dosing consence
- **COMPLETE PACKAGE:**

*Upon request can be supplied complete with one pH Buffer Solution, pH electrode, electrode holder, Saddle Clamp, all packed in one box.*

## INSTALLATION KIT ( Standard )



Mounting Bracket+ Screws	Suction Tube 2mt PVC	Inj.Tube 2mt PE	PP Injection Valve	PP Foot Filter
--------------------------	----------------------	-----------------	--------------------	----------------

## COMPLETE PACKAGE Extra KIT ( Optional )

1 x pH Electrode (Short type)	1 x 1/2" Pipeline Electrode Holder, made of PP 30% talk reinforced	2 x Saddle Clamp for $\Phi 50$ mm tubes, with 1/2" connection for electrode holder.	1 x 50cc pH 7 buffer solution bottle.
-------------------------------	--------------------------------------------------------------------	-------------------------------------------------------------------------------------	---------------------------------------

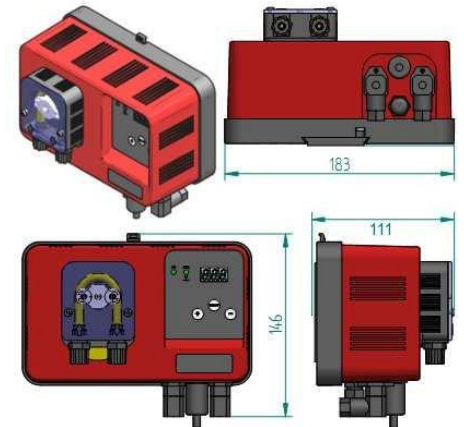
## TECHNICAL INFORMATION

Code	Lt/h	ML/RPM	Bar	RPM/Min	ML/Min	Watt	Tube
S01AA0124300	2,4	1	1	40	40	3,5	4x6 mm

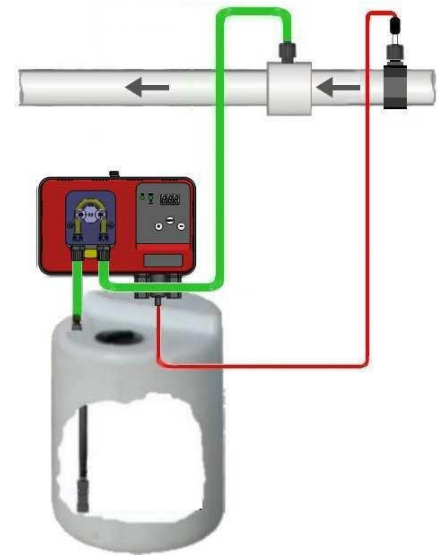
## APPLICATIONS

- Residential Swimming Pools
- Water Treatment

## PUMP VIEW (mm)



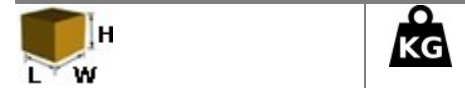
## INSTALLATION EXAMPLE



## LIQUID ENDS

Component	Standard	Optional
Fittings	PP	
Tube	Santoprene 4x7	TYGON or Silicon
Internal lip valve	VITON	
Injection fittings	PP	
Non return foot filter	PP-Viton	

## PACKAGE (cm / Kg)



Pump: 15 x 23 x 28	1,9
Multipack ( 6 Psz ): 50 x 25 x 57	12

## NOTES

- MADE IN ITALY
- 100% Tested before delivery
- Produced conform to CE laws



## PRODUCT SPECIFICATIONS



# MP1-Rx

Digital Dosing pump  
with ORP control  
on-board



- Compact Peristaltic digital pump with a built-in ORP controller
- Pump proportionality with Pause/Work time, max 300 seconds
- Realtime display visualisation of the ORP value
- 0 - 999 mV reading range.
- Probe efficiency indication
- Proportionality greatness field presetted to a value of mV
- Semi-automatic probe calibration
- Constant functioning mode.
- 5 state and programming leds.
- Accessories kit with a 1/2" injection valve
- Easy installation and minimal maintenance
- 3 x 7 Segments digital display and one alarm led
- PP CASE and pump body, reinforced 30% talk
- IP 55 protection
- Security and reliability
- Polycarbonate front panel
- Wall mounting with stirrup
- 2,5 mt power supply cable
- Level alarm and overdosing protection integrated in the software

### Optional:

- Low Level Switch sensor
- Filtration pump dosing consence
- **COMPLETE PACKAGE:**

*Upon request can be supplied complete with one pH Buffer Solution, ORP electrode, electrode holder, Saddle Clamp, all packed in one box.*

## INSTALLATION KIT ( Standard )



Mounting Bracket+ Screws	Suction Tube 2mt PVC	Inj. Tube 2mt PE	PP Injection Valve	PP Foot Filter
--------------------------	----------------------	------------------	--------------------	----------------

## COMPLETE PACKAGE Extra KIT ( Optional )

1 x ORP Electrode (Short type)	1 x 1/2" Pipeline Electrode Holder, made of PP 30% talk reinforced	2 x Saddle Clamp for $\Phi 50$ mm tubes, with 1/2" connection for electrode holder.	1 x 50cc 468mV buffer solution bottle.
--------------------------------	--------------------------------------------------------------------	-------------------------------------------------------------------------------------	----------------------------------------

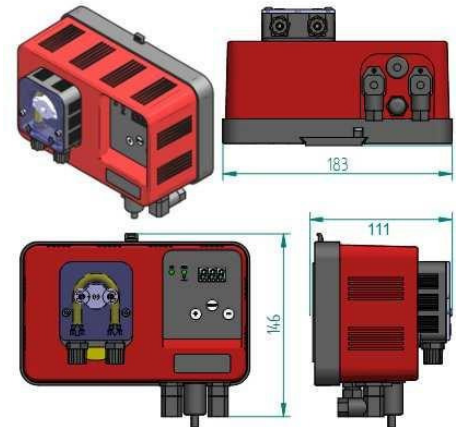
## TECHNICAL INFORMATION

Code	Lt/h	ML/RPM	Bar	RPM/Min	ML/Min	Watt	Tube
S02AA0124300	2,4	1	1	40	40	3,5	4x6 mm

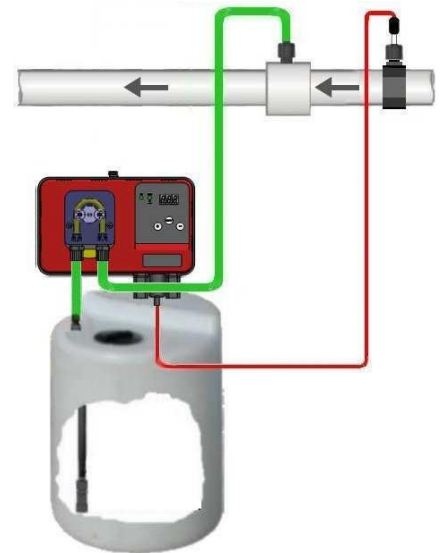
## APPLICATIONS

- Residential Swimming Pools
- Water Treatment

## PUMP VIEW (mm)



## INSTALLATION EXAMPLE



## LIQUID ENDS

Component	Standard	Optional
Fittings	PP	
Tube	Santoprene 4x7	TYGON or Silicon
Internal lip valve	VITON	
Injection fittings	PP	
Non return foot filter	PP-Viton	

## PACKAGE (cm / Kg)



Pump: 15 x 23 x 28

Multipack ( 6 Psz ): 50 x 25 x 57

1,9

12

## NOTES

- MADE IN ITALY
- 100% Tested before delivery
- Produced conform to CE laws

Rev 2.0

Technical Datasheet

## PRODUCT SPECIFICATIONS



# MP2-pH

Digital Dosing pump  
with pH control  
on-board



100%  
TESTED

IP 55



- Compact Peristaltic digital pump with a built-in pH controller
- Adjustable Setpoint (Defined by user), 0 - 14 pH reading range
- Proportionality greatness field presetted to a value of 1 pH
- Realtime display visualisation of the pH
- Manual dosing selection for pH+ or pH-
- Probe efficiency indication
- Semi-automatic probe calibration
- Constant functioning mode.
- 5 state and programming leds.
- Accessories kit with a 1/2" injection valve
- Easy installation and minimal maintenance
- 3 x 7 Segments digital display and one alarm led
- PP CASE and pump body, reinforced 30% talk
- IP 55 protection
- Security and reliability
- Polycarbonate front panel
- Wall mounting with stirrup
- 2,5 mt power supply cable
- Level alarm and overdosing protection integrated in the software

### Optional:

- *Low Level Switch sensor*
- *Filtration pump dosing consence*
- **COMPLETE PACKAGE:**

*Upon request can be supplied complete with one pH Buffer Solution, pH electrode, electrode holder, Saddle Clamp, all packed in one box.*

## INSTALLATION KIT ( Standard )



Mounting Bracket+ Screws	Suction Tube 2mt PVC	Inj. Tube 2mt PE	PP Injection Valve	PP Foot Filter
--------------------------	----------------------	------------------	--------------------	----------------

## COMPLETE PACKAGE Extra KIT ( Optional )

1 x pH Electrode (Short type)	1 x 1/2" Pipeline Electrode Holder, made of PP 30% talk reinforced	2 x Saddle Clamp for Ø50 mm tubes, with 1/2" connection for electrode holder.	1 x 50cc pH 7 buffer solution bottle.
-------------------------------	--------------------------------------------------------------------	-------------------------------------------------------------------------------	---------------------------------------

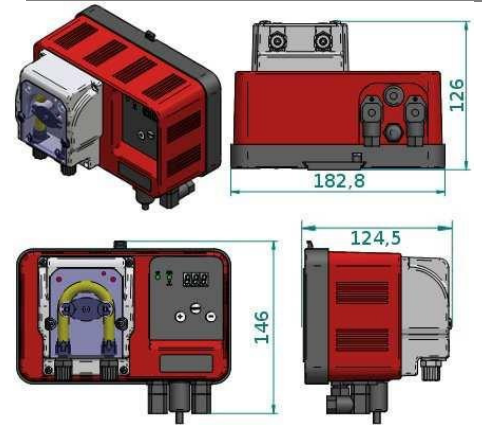
## TECHNICAL INFORMATION

Code	Lt/h	ML/RPM	Bar	RPM/Min	ML/Min	Watt	Tube
S03AA0104300	4	2,42	1	31	75	3,5	4x6 mm

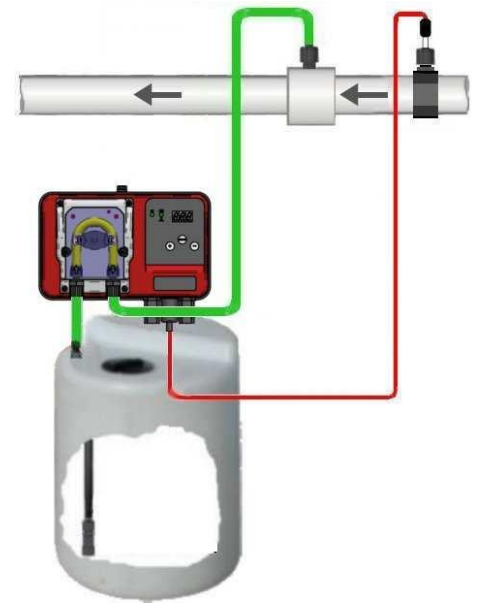
## APPLICATIONS

- Residential Swimming Pools
- Water Treatment

## PUMP VIEW (mm)



## INSTALLATION EXAMPLE



## LIQUID ENDS

Component	Standard	Optional
Fittings	PP	
Tube	Santoprene 4x7	TYGON or Silicon
Internal lip valve	VITON	
Injection fittings	PP	
Non return foot filter	PP-Viton	

## PACKAGE (cm / Kg)

Component	Dimensions (cm)	Weight (Kg)
Pump	15 x 23 x 28	1,9
Multipack ( 6 Psz )	50 x 25 x 57	12

## NOTES

- **MADE IN ITALY**
- **100% Tested before delivery**
- **Produced conform to CE laws**

## PRODUCT SPECIFICATIONS



# MP2-Rx

Digital Dosing pump  
with ORP control  
on-board



- Compact Peristaltic digital pump with a built-in ORP controller
- Pump proportionality with Pause/Work time, max 300 seconds
- Realtime display visualisation of the ORP value
- 0 - 999 mV reading range.
- Probe efficiency indication
- Proportionality greatness field presetted to a value of mV
- Semi-automatic probe calibration
- Constant functioning mode.
- 5 state and programming leds.
- Accessories kit with a 1/2" injection valve
- Easy installation and minimal maintenance
- 3 x 7 Segments digital display and one alarm led
- PP CASE and pump body, reinforced 30% talk
- IP 55 protection
- Security and reliability
- Polycarbonate front panel
- Wall mounting with stirrup
- 2,5 mt power supply cable
- Level alarm and overdosing protection integrated in the software

### Optional:

- Low Level Switch sensor
- Filtration pump dosing consence
- **COMPLETE PACKAGE:**

*Upon request can be supplied complete with one pH Buffer Solution, ORP electrode, electrode holder, Saddle Clamp, all packed in one box.*

## INSTALLATION KIT ( Standard )



Mounting Bracket+ Screws	Suction Tube 2mt PVC	Inj.Tube 2mt PE	PP Injection Valve	PP Foot Filter
--------------------------	----------------------	-----------------	--------------------	----------------

## COMPLETE PACKAGE Extra KIT ( Optional )

1 x ORP Electrode (Short type)	1 x 1/2" Pipeline Electrode Holder, made of PP 30% talk reinforced	2 x Saddle Clamp for $\Phi 50$ mm tubes, with 1/2" connection for electrode holder.	1 x 50cc 468mV buffer solution bottle.
--------------------------------	--------------------------------------------------------------------	-------------------------------------------------------------------------------------	----------------------------------------

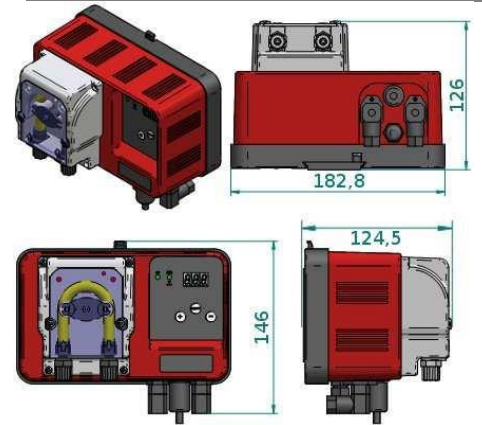
## TECHNICAL INFORMATION

Code	Lt/h	ML/RPM	Bar	RPM/Min	ML/Min	Watt	Tube
S04AA0104300	4	2,42	1	31	75	3,5	4x6 mm

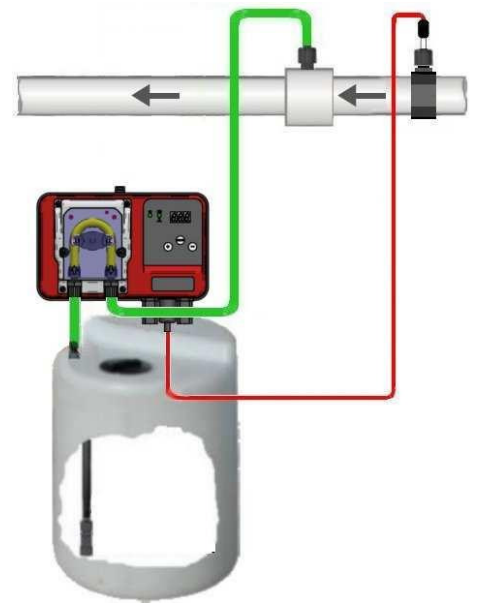
## APPLICATIONS

- Residential Swimming Pools
- Water Treatment

## PUMP VIEW (mm)



## INSTALLATION EXAMPLE



## LIQUID ENDS

Component	Standard	Optional
Fettings	PP	
Tube	Santoprene 4x7	TYGON or Silicon
Internal lip valve	VITON	
Injection fittings	PP	
Non return foot filter	PP-Viton	

## PACKAGE (cm / Kg)

Package	Weight (Kg)
Pump: 15 x 23 x 28	1,9
Multipack ( 6 Psz ): 50 x 25 x 57	12

## NOTES

- MADE IN ITALY
- 100% Tested before delivery
- Produced conform to CE laws



## PRODUCT SPECIFICATIONS



# MP2-0x

**Peristaltic Pump With Hydrogen Peroxide built-in Dosing System**



- **Compact Peristaltic Hydrogen Peroxide pump**
- **Automated dosing, easy programming (Requires only the pool capacity "m3" and the filtration "functioning" hours / Day)**
- **Suitable for swimming pools till 150 m3**
- **Small dimensions, easy installation and minimal maintenance.**
- **PP box reinforced 30% talk**
- **Automatic priming**
- **Pump supplied at 240VAC, and it has an IP65 degree**
- **Dosing consense from recycling pump**

### Optional:

- **Hand screws (Plastic Covered)**
- **Personalization possibilities**
- **Supplied complete with suction support (short type) and low level switch**

## INSTALLATION KIT ( Standard )



<b>Mounting Bracket+ Screws</b>	<b>Suction Tube 2mt PVC</b>	<b>Inj.Tube 2mt PE</b>	<b>PP Injection Valve</b>	<b>PP Foot Filter</b>
---------------------------------	-----------------------------	------------------------	---------------------------	-----------------------

## EXTRA KIT ( Optional )



**Suction support (Short Type) complete with Low-Level switch**

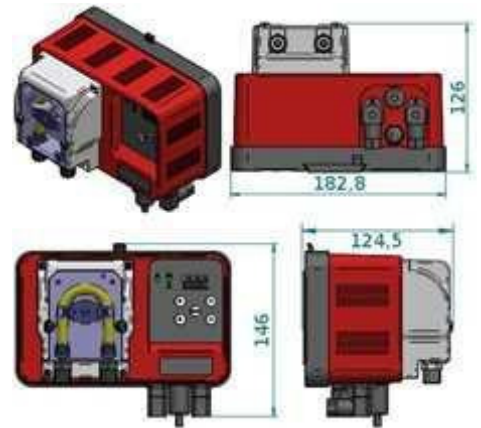
## TECHNICAL INFORMATION

CODE	Lt/h	ml/min	Bar	RPM	Watt Max	Power	Inner Tube	Outer Tube
S13AA0115300	1,5	25	1	10	5	230 VAC	SAN.5.8x9.4	4x6 MM

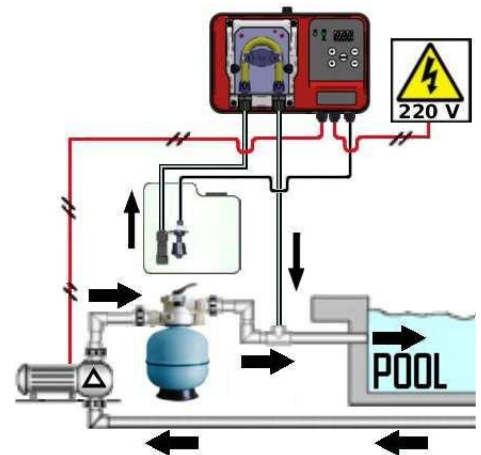
## APPLICATIONS

- **Swimming pools**

## PUMP VIEW (mm)



## INSTALLATION EXAMPLES



## LIQUID ENDS

COMPONENT	MATERIAL
<b>INNER TUBE</b>	<b>Santoprene 5.8x9.4</b>
<b>FITTINGS</b>	<b>PP (30% TALK)</b>

## PACKAGE (cm / Kg)

PACKAGE (cm / Kg)	KG
For Pump: 15 x 23 x 28	1,90 ▲
Multipack(6Psz): 57 x 25 x 50	12,00 ▲

▲ Depends on the motor weight, changes from a pump model to another

## NOTES

- **MADE IN ITALY**
- **100% Tested before delivery**
- **Produced conform to CE laws**







# ESPANGO

Via Pietrasanta 12  
20141 MILANO - ITALY  
Tel. +39 02 5830 4949  
Fax +39 02 5830 4889  
email [espango@espango.it](mailto:espango@espango.it)  
[www.espango.it](http://www.espango.it)