



Available Horizontal and Vertical axis mini wind turbines.
Customers can choose the most appropriate type based on wind and site characteristics.

The green produced energy can feed isolate off-grid users or fed into the national power grid.

Horizontal Axis Wind Turbine - HAWT

Horizontal Axis Wind Turbines allows electric energy production thanks to the conversion of wind energy into mechanical energy first and electrical energy afterwards. This equipment can fully make use of wind power to recharge a battery or generate AC energy. Without the necessity of any type of fuel, the wind turbine is pollution free.

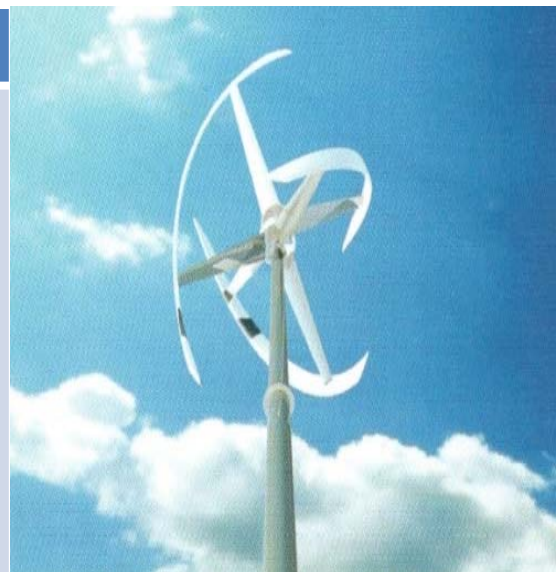


Vertical Axis Wind Turbine - VAWT

Vertical Axis Wind Turbine (VAWT) is a type of wind generator, whose main feature is the vertical main rotor shaft. This solution offer a number of advantages over traditional horizontal ones, such better performance at low wind speed and very silent operation. They can be arranged closer together in wind farm, allowing more units in a given space.

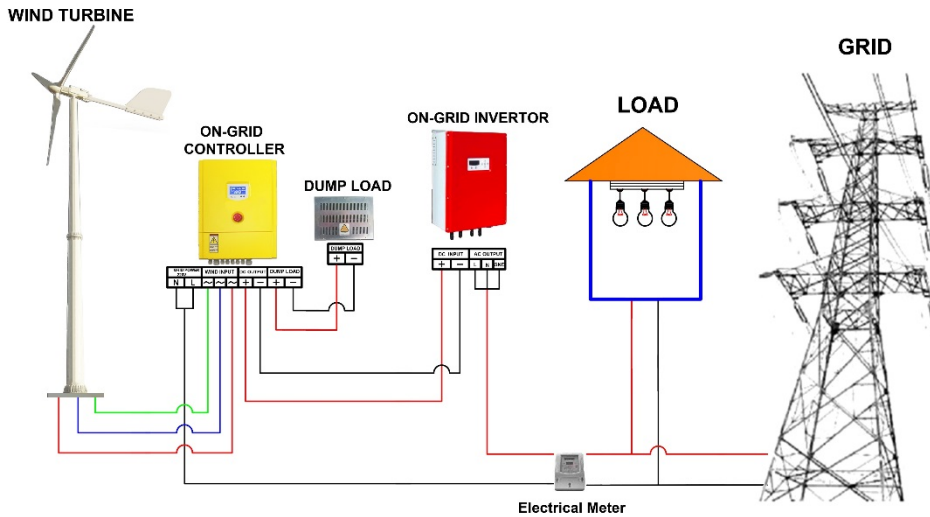
Main characteristics as follow:

- Low start wind speed 1-2,8 m/s
- Low speed and noise < 30db, suitable for urban area
- Light weight and very safe suitable for rooftop
- Maintenance free
- 30% more power output at low wind speed compared to HAWT



On-Grid

The produced energy is fed into the network and sold (or exchanged) to the grid operator in accordance with current regulations.



Off-Grid

The produced energy is stored in a battery bank (excessive one should be dissipated in a dump load), then used to feed isolate users through a dedicated inverter.

