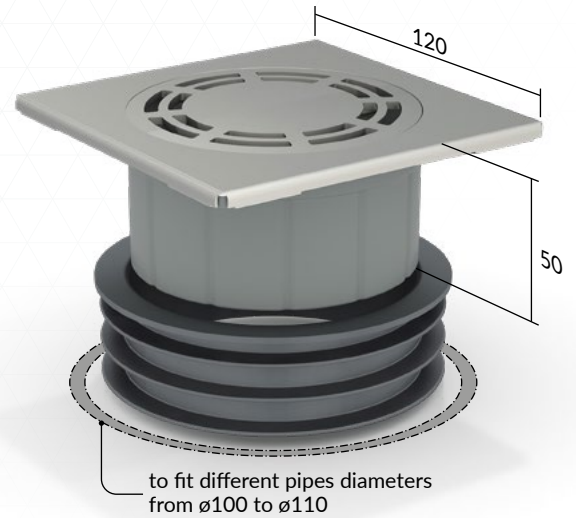


9977 - Kalamáta grated

Universal ABS floor drain with AISI316 s/steel grid and frame:

- AISI 316 stainless steel grid and frame 120×120 mm
- grids available in 3 different design
- universal gasket in EPDM to fit different pipes diameters (from $\phi 100$ to $\phi 110$)
- dry-spot: drainage points for the water filtered through the flooring
- height adjustment from 15 to 30 mm
- available in different PVD finish



article	model
9977.491.9.S	Standard
9977.495.9.S	Design
9977.496.9.S	Square

9977 - Kalamáta tileable

Universal ABS floor drain with AISI316 s/steel grid and frame:

- AISI316 stainless steel frame and grid 2 in 1 system (tileable or satin)
- available in 2 different dimensions
- universal gasket in EPDM to fit different pipes diameters (from $\phi 100$ to $\phi 110$)
- dry-spot: drainage points for the water filtered through the flooring
- height adjustment from 25 to 40 mm
- inner height of tileable insert 10 mm
- available in different PVD finish

article	measure (mm)
9977.492.9	115×115
9977.692.9	150×150

PVD finishing available

