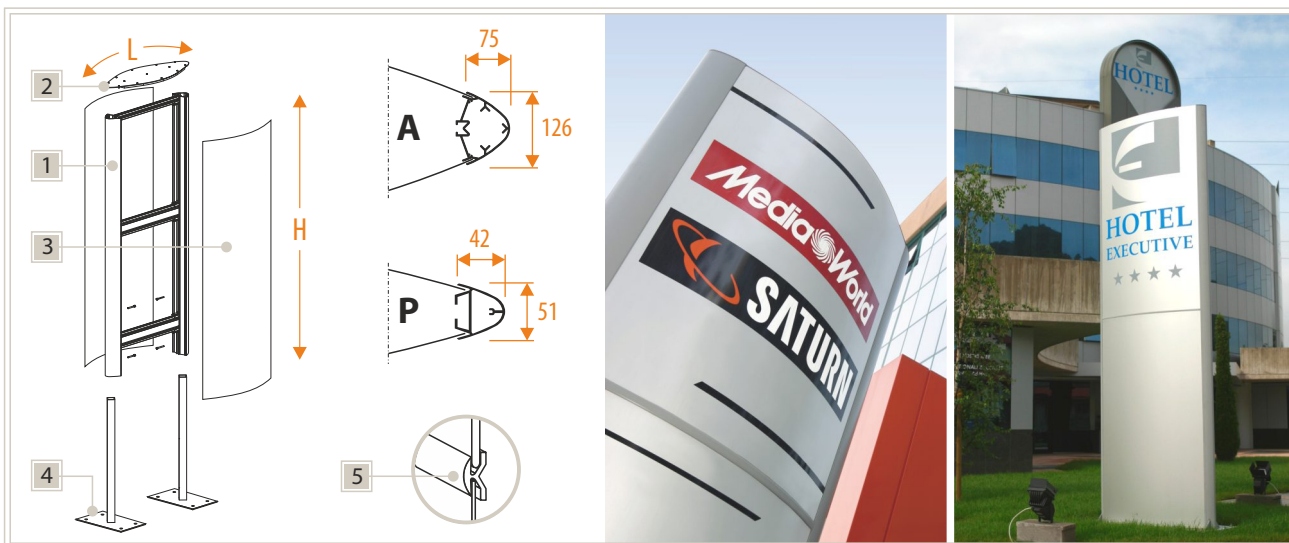


TOTEM

Monolithic structures with a pleasant design particularly suitable for communicating identity and image or as a first stage of flow direction. The panelling can be made in a single piece or subdivided into separate modules. If there is an indoor lighting system, partially or entirely backlit signs can be installed. As accessory articles there are also additional items such as displays, clocks, notice boards, box letters, outdoor lighting systems positioned on the ground or on the top of the structure.

Segnaletica modulare per esterno caratterizzata da strutture monolitiche dal gradevole design particolarmente adatte come elemento d'identificazione e d'immagine (totem identificativi) oppure come primo smistamento di flusso (totem direzionali e riepilogativi). La pannellatura può essere realizzata in un unico pezzo o suddivisa in moduli gestibili singolarmente. La presenza di un eventuale impianto di illuminazione interno consente la realizzazione di insegne parzialmente o totalmente retroilluminate. Come accessori sono inoltre disponibili elementi aggiuntivi quali display, orologi, bacheche, lettere scatolate, impianti di illuminazione esterni posizionati a terra o sulla sommità della struttura.

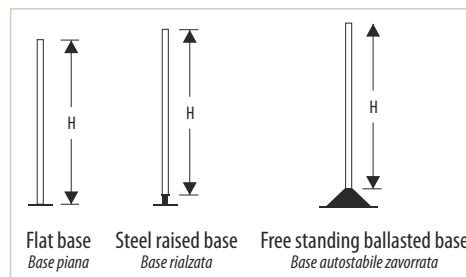
A - P CURVED TOTEM TOTEM CONVESSI



5000*									TM4.A120500
4300*									TM4.A90430 TM4.A120430
3200									TM4.A90320 TM4.A120320
2500			TM4.P60250	TM4.A60250	TM4.A90250				
2100	TM4.P45210	TM4.P60210	TM4.A60210	TM4.A90210					
1800	TM4.P45180	TM4.P60180							
1600	TM4.P45160								
H	L 538 688		786		1086		1086		

P ◀ ▶ A

◦ Raised base not available * Free standing base not available
Base rialzata non disponibile Base autostabile non disponibile

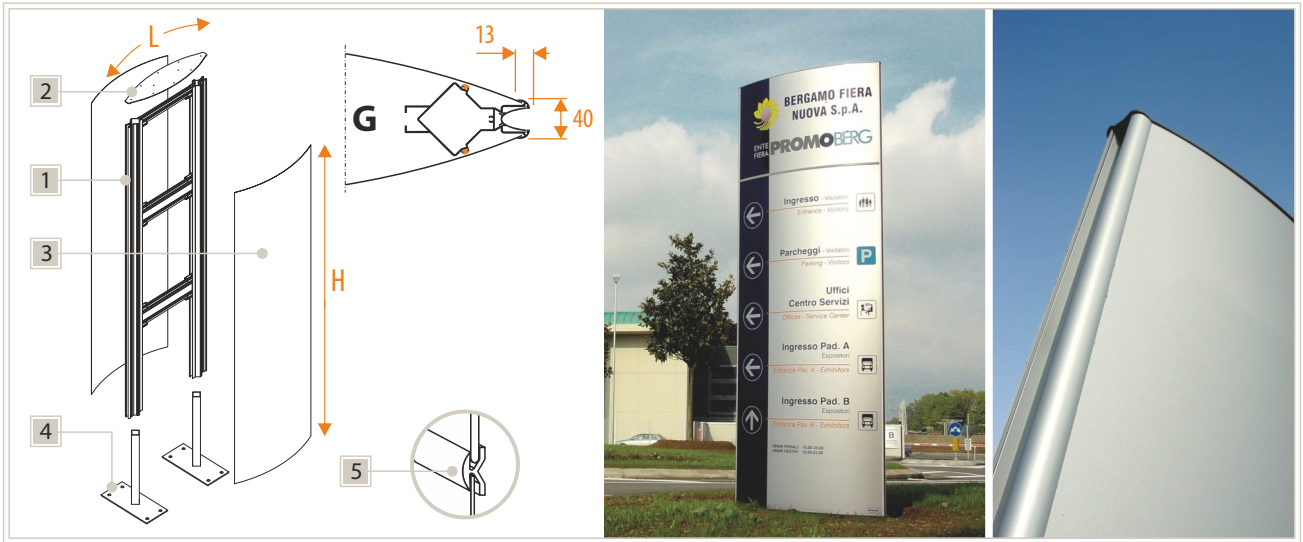


LIGHTING SYSTEM:
an internal lighting system with low tension LED is available.

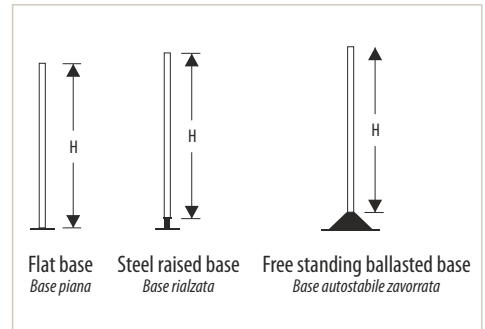
ILLUMINAZIONE:
possibilità di illuminazione interna con impianto a LED a bassa tensione.

	RAL 9016 white bianco	RAL 9006 silver silver	007 ash grey grigio cenere	085 black nero	silver anodized anodizzato silver
1 Aluminium vertical extrusions <i>Montanti in alluminio</i>		<input checked="" type="checkbox"/>	<input checked="" type="checkbox"/>		
2 Top cap in aluminium composite (Dibond) <i>Cielino in Dibond</i>		<input checked="" type="checkbox"/>			
3 Panelling in aluminium sheets <i>Pannellature in alluminio</i>	<input checked="" type="checkbox"/>	<input checked="" type="checkbox"/>	<input checked="" type="checkbox"/>	<input checked="" type="checkbox"/>	<input checked="" type="checkbox"/>
Panelling in aluminium composite sheets (Dibond) <i>Pannellature in Dibond</i>	<input checked="" type="checkbox"/>	<input checked="" type="checkbox"/>			
Panelling in opaline plexiglas (for totem with lighting system) <i>Pannellature in plexiglass opalino (per totem luminosi)</i>					
4 Flat base in zincated steel (+ anchor plate if necessary) <i>Base piana in acciaio zincato (+ eventuale contropiastra)</i>					
Steel raised base in steel powder coated (+ anchor plate if necessary) <i>Base rialzata in acciaio verniciato (+ eventuale contropiastra)</i>					Texturized silver o texturized anthracite <i>Silver texturizzato o antracite texturizzato</i>
Free standing ballasted base in steel powder coated <i>Base autostabile zavorrata in acciaio verniciato</i>					Texturized silver o texturized anthracite <i>Silver texturizzato o antracite texturizzato</i>
5 Joining profile in aluminium For totems higher than 3 meters or for different materials junctions. <i>Profilo di giunzione in alluminio</i> <i>Per altezze superiori ai 3 metri o in caso di combinazione di pannelli in materiali diversi.</i>		<input checked="" type="checkbox"/>	<input checked="" type="checkbox"/>		<input checked="" type="checkbox"/>

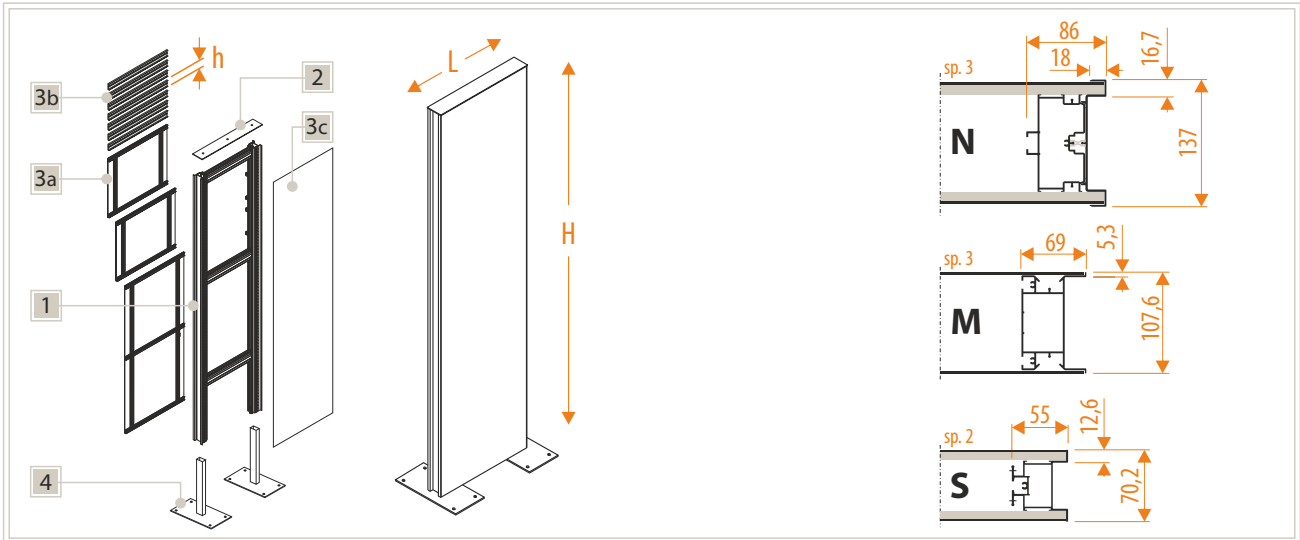
G CURVED TOTEM TOTEM CONVESSI



3200			TM4.G71320	TM4.G86320
2500		TM4.G56250	TM4.G71250	TM4.G86250
2100	TM4.G41210	TM4.G56210	TM4.G71210	TM4.G86210
1800	TM4.G41180	TM4.G56180		
1600	TM4.G41160			
H	L	404	554	704 854



	RAL 9016 white bianco	RAL 9006 silver silver	007 ash grey grigio cenere	085 black nero	silver anodized anodizzato silver
1 Aluminium vertical extrusions <i>Montanti in alluminio</i>					<input checked="" type="checkbox"/>
2 Top cap in aluminium Composite (Dibond) <i>Cielino in Dibond</i>		<input checked="" type="checkbox"/>			
3 Panelling in aluminium sheets <i>Pannellature in alluminio</i>	<input checked="" type="checkbox"/>	<input checked="" type="checkbox"/>	<input checked="" type="checkbox"/>	<input checked="" type="checkbox"/>	<input checked="" type="checkbox"/>
Panelling in aluminium Composite sheets (Dibond) <i>Pannellature in Dibond</i>	<input checked="" type="checkbox"/>	<input checked="" type="checkbox"/>			
4 Flat base in zincated steel (+ anchor plate if necessary) <i>Base piana in acciaio zincato (+ eventuale contropiastra)</i>					
Steel raised base in steel powder coated (+ anchor plate if necessary) <i>Base rialzata in acciaio verniciato (+ eventuale contropiastra)</i>					Texturized silver o texturized anthracite <i>Silver texturizzato o antracite texturizzato</i>
Free standing ballasted base in steel powder coated <i>Base autostabile zavorrata in acciaio verniciato</i>					Texturized silver o texturized anthracite <i>Silver texturizzato o antracite texturizzato</i>
5 Joining profile in aluminium For totems higher than 3 meters or for different materials junctions. <i>Profilo di giunzione in alluminio</i> <i>Per altezze superiori ai 3 metri o in caso di combinazione di pannelli in materiali diversi.</i>		<input checked="" type="checkbox"/>	<input checked="" type="checkbox"/>		<input checked="" type="checkbox"/>



LIGHTING SYSTEM: an internal lighting system with low tension LED is available.

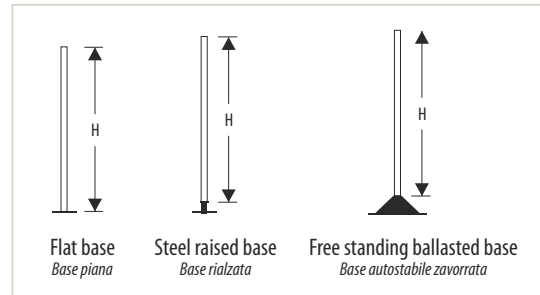
It might cause some restrictions for the graphic in the portion of illuminable panelling.

ILLUMINAZIONE: possibilità di illuminazione interna con impianto a LED a bassa tensione.

Potrebbe implicare delle limitazioni alla grafica nella porzione di pannellatura illuminabile.

CUSTOM-MADE: it is possible to realize custom-made structures on request.

PERSONALIZZAZIONE: è possibile combinare più totem tra loro creando appendici.



Flat base
Base piana

Steel raised base
Base rialzata

Free standing ballasted base
Base autostabile zavorrata

	RAL 9016 white bianco	RAL 9006 silver silver	007 ash grey grigio cenere	085 black nero	silver anodized anodizzato silver
1 Aluminium vertical extrusions <i>Montanti in alluminio</i>	<input type="checkbox"/>	<input type="checkbox"/>	<input type="checkbox"/>	<input type="checkbox"/>	<input checked="" type="checkbox"/>
2 Top cap in aluminium composite (Dibond) <i>Cielino in Dibond</i>	<input type="checkbox"/>	<input checked="" type="checkbox"/>	<input type="checkbox"/>	<input type="checkbox"/>	<input type="checkbox"/>
3a Panelling in aluminium composite sheets (Dibond) with joining aluminium brackets on the back (height 100 mm) For totems higher than 3 meters the panelling must be divided. <i>Pannellature in Dibond con traverse d'aggancio posteriori in alluminio (h minima 100 mm)</i> <i>Per altezze superiori ai 3 metri la pannellatura va suddivisa.</i>	<input checked="" type="checkbox"/>	<input checked="" type="checkbox"/>	<input type="checkbox"/>	<input type="checkbox"/>	<input type="checkbox"/>
3b Panelling with modules in aluminium (available only for N and S) <i>Pannellature con modulo in alluminio (disponibili solo per N e S)</i> h = 20, 40, 60, 80, 120, 160 mm	<input type="checkbox"/>	<input checked="" type="checkbox"/>	<input checked="" type="checkbox"/>	<input checked="" type="checkbox"/>	<input checked="" type="checkbox"/>
3c Panelling in opaline plexiglas (for totem with lighting system) <i>Pannellature in plexiglass opalino (per totem luminosi)</i>	<input type="checkbox"/>	<input type="checkbox"/>	<input type="checkbox"/>	<input type="checkbox"/>	<input type="checkbox"/>
4 Flat base in zincated steel (+ anchor plate if necessary) <i>Base piana in acciaio zincato (+ eventuale contropiastra)</i>	<input type="checkbox"/>	<input type="checkbox"/>	<input type="checkbox"/>	<input type="checkbox"/>	<input type="checkbox"/>
Steel raised base in steel powder coated (+ anchor plate if necessary) <i>Base rialzata in acciaio verniciato (+ eventuale contropiastra)</i>	<input type="checkbox"/>	<input type="checkbox"/>	<input type="checkbox"/>	<input type="checkbox"/>	Texturized silver o texturized anthracite <i>Silver texturizzato o antracite texturizzato</i>
Free standing ballasted base in steel powder coated <i>Base autostabile zavorrata in acciaio verniciato</i>	<input type="checkbox"/>	<input type="checkbox"/>	<input type="checkbox"/>	<input type="checkbox"/>	Texturized silver o texturized anthracite <i>Silver texturizzato o antracite texturizzato</i>

N - M - S FLAT TOTEM TOTEM PIANI

○ Raised base not available *Base rialzata non disponibile* * Free standing base not available *Base autostabile non disponibile*

6400*	TM4.N100640			
5000*	TM4.N100500			
4300*	TM4.N75430	TM4.N100430		
3200	TM4.N50320	TM4.N75320	TM4.N100320	TM4.N150320
2500	TM4.N50250	TM4.N75250	TM4.N100250	
2100	TM4.N50210	TM4.N75210	TM4.N100210	TM4.N150210
1800	TM4.N50180	TM4.N75180		
1600	TM4.N50160			
1500			TM4.N150150	TM4.N200150
1000			TM4.N150100	TM4.N200100

N ◀

3200	TM4.S75320			
2500	TM4.S75250			
2100	TM4.S37210	TM4.S50210	TM4.S75210	TM4.S100210
1800	TM4.S37180	TM4.S50180	TM4.S75180	
1600	TM4.S37160	TM4.S50160		

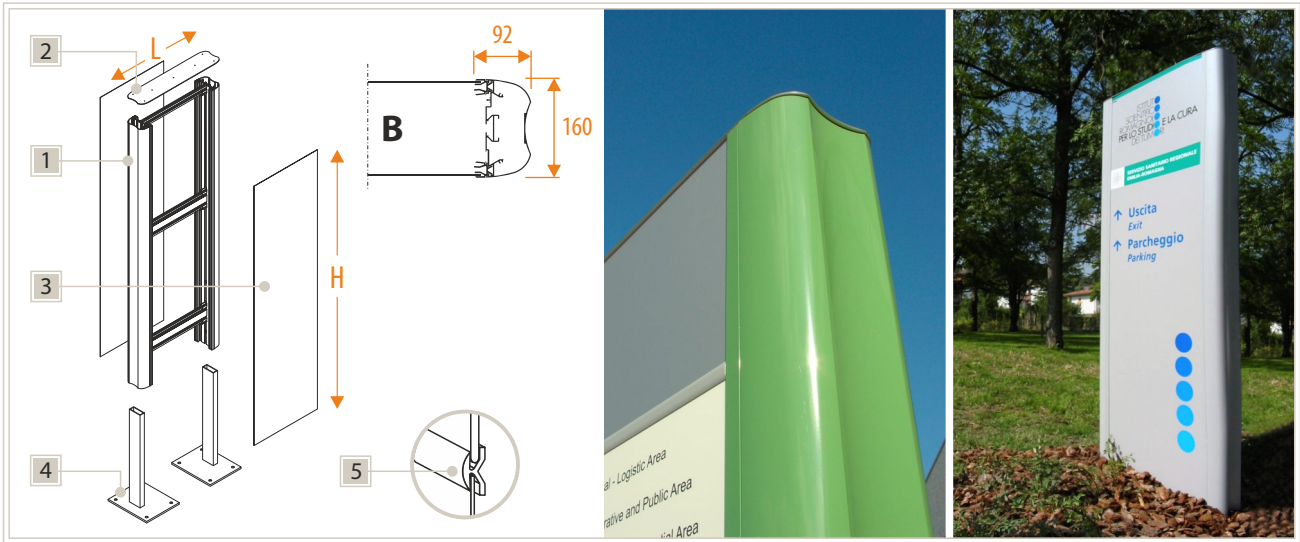
M ◀

2100	TM4.S30210	TM4.S42210	TM4.S50210	TM4.S60210	
1800	TM4.S30180	TM4.S42180	TM4.S50180	TM4.S60180	TM4.S70180 TM4.S84180
1600	TM4.S30160	TM4.S42160	TM4.S50160		

S ◀



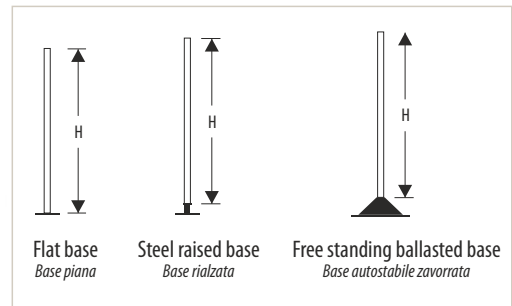
B FLAT TOTEM TOTEM PIANI



5000*			TM4.B120500
4300*		TM4.B90430	TM4.B120430
3200		TM4.B90320	TM4.B120320
2500	TM4.B60250	TM4.B90250	
2100	TM4.B60210	TM4.B90210	
H	L	748	1048
			1348

o Raised base not available
Base rialzata non disponibile

* Free standing base not available
Base autostabile non disponibile

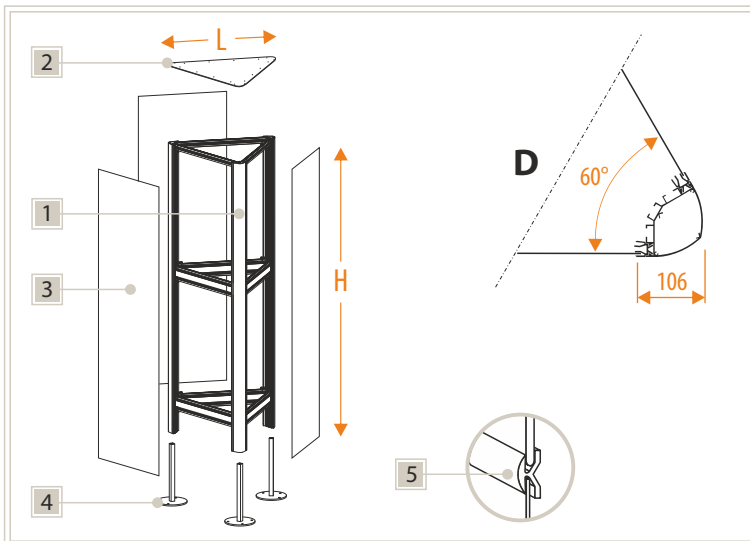


LIGHTING SYSTEM: an internal lighting system with low tension LED is available.
ILLUMINAZIONE: possibilità di illuminazione interna con impianto a LED a bassa tensione.

	RAL 9016 white bianco	RAL 9006 silver silver	007 ash grey grigio cenere	085 black nero	silver anodized anodizzato silver
1 Aluminium vertical extrusions <i>Montanti in alluminio</i>		✓	✓		
2 Top cap in aluminium composite (Dibond) <i>Cielino in Dibond</i>		✓			
3 Panelling in aluminium sheets <i>Pannellature in alluminio</i>	✓	✓	✓	✓	✓
Panelling in aluminium composite sheets (Dibond) <i>Pannellature in Dibond</i>	✓	✓			
Panelling in opaline plexiglas (for totem with lighting system) <i>Pannellature in plexiglass opalino (per totem luminosi)</i>					
4 Flat base in zincated steel (+ anchor plate if necessary) <i>Base piana in acciaio zincato (+ eventuale contropiastra)</i>					
Steel raised base in steel powder coated (+ anchor plate if necessary) <i>Base rialzata in acciaio verniciato (+ eventuale contropiastra)</i>					Texturized silver o texturized anthracite <i>Silver texturizzato o antracite texturizzato</i>
Free standing ballasted base in steel powder coated <i>Base autostabile zavorrata in acciaio verniciato</i>					Texturized silver o texturized anthracite <i>Silver texturizzato o antracite texturizzato</i>
5 Joining profile in aluminium For totems higher than 3 meters or for different materials junctions. <i>Profilo di giunzione in alluminio</i> <i>Per altezze superiori ai 3 metri o in caso di combinazione di pannelli in materiali diversi.</i>		✓	✓		✓

D TRIANGULAR TOTEM

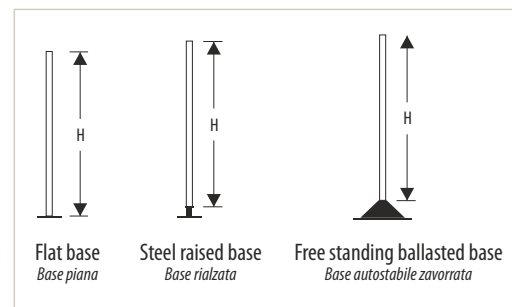
TOTEM TRIANGOLARI



6400*		TM4.D120640
5000*	TM4.D90500	TM4.D120500
4300*	TM4.D90430	TM4.D120430
3200	TM4.D90320	TM4.D120320
2500	TM4.D60250	TM4.D90250
2100	TM4.D60210	
H	L	776 1076 1376

o Raised base not available
Base rialzata non disponibile

* Free standing base not available
Base autostabile non disponibile



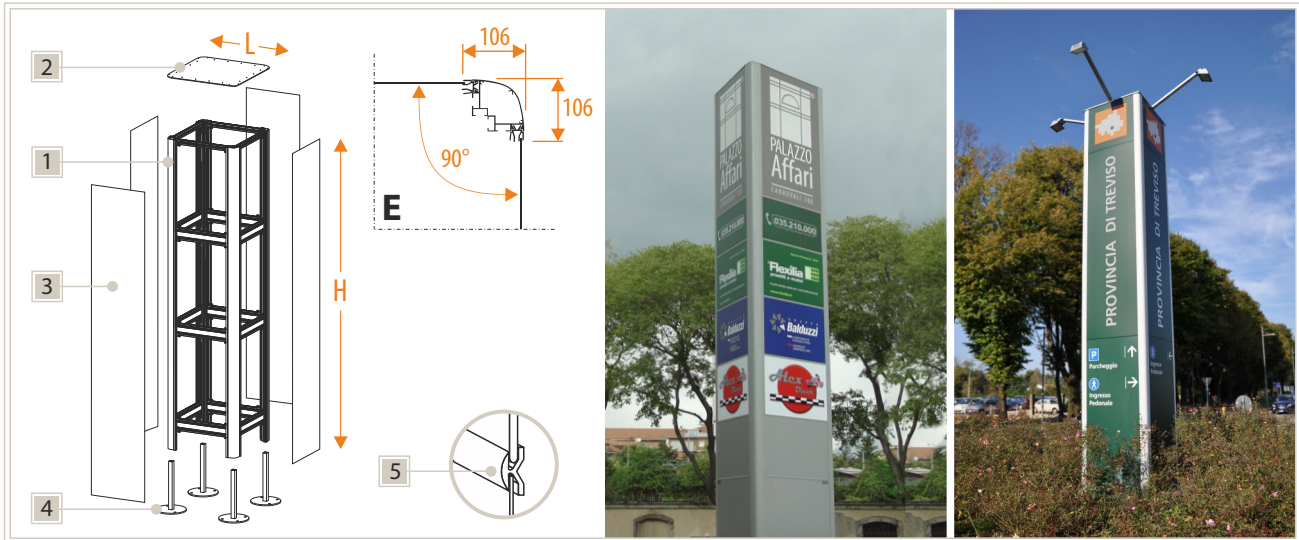
LIGHTING SYSTEM: an internal lighting system with low tension LED is available.

ILLUMINAZIONE: possibilità di illuminazione interna con impianto a LED a bassa tensione.

	RAL 9016 white bianco	RAL 9006 silver silver	007 ash grey grigio cenere	085 black nero	silver anodized anodizzato silver
1 Aluminium vertical extrusions <i>Montanti in alluminio</i>		✓	✓		
2 Top cap in aluminium composite (Dibond) <i>Cielino in Dibond</i>		✓			
3 Panelling in aluminium sheets <i>Pannellature in alluminio</i>	✓	✓	✓	✓	✓
Panelling in aluminium composite sheets (Dibond) <i>Pannellature in Dibond</i>	✓	✓			
Panelling in opaline plexiglas (for totem with lighting system) <i>Pannellature in plexiglass opalino (per totem luminosi)</i>					
4 Flat base in zincated steel (+ anchor plate if necessary) <i>Base piana in acciaio zincato (+ eventuale contropiastra)</i>					
Steel raised base in steel powder coated (+ anchor plate if necessary) <i>Base rialzata in acciaio verniciato (+ eventuale contropiastra)</i>					Texturized silver o texturized anthracite <i>Silver texturizzato o antracite texturizzato</i>
Free standing ballasted base in steel powder coated <i>Base autostabile zavorrata in acciaio verniciato</i>					Texturized silver o texturized anthracite <i>Silver texturizzato o antracite texturizzato</i>
5 Joining profile in aluminium For totems higher than 3 meters or for different materials junctions. <i>Profilo di giunzione in alluminio</i> <i>Per altezze superiori ai 3 metri o in caso di combinazione di pannelli in materiali diversi.</i>		✓	✓		✓

E SQUARE SECTION TOTEM

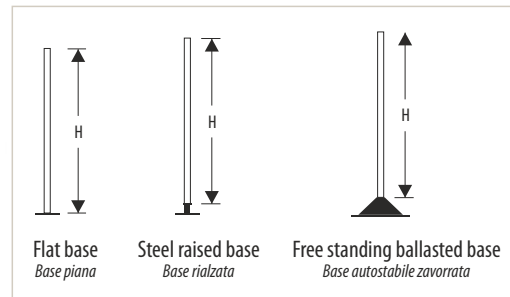
TOTEM QUADRIFACCIALI



6400*		TM4.E120640
4300*		TM4.E90430
3200		TM4.E90320
2100		TM4.E60210
H	L	776 1076 1376

○ Raised base not available
Base rialzata non disponibile

* Free standing base not available
Base autostabile non disponibile

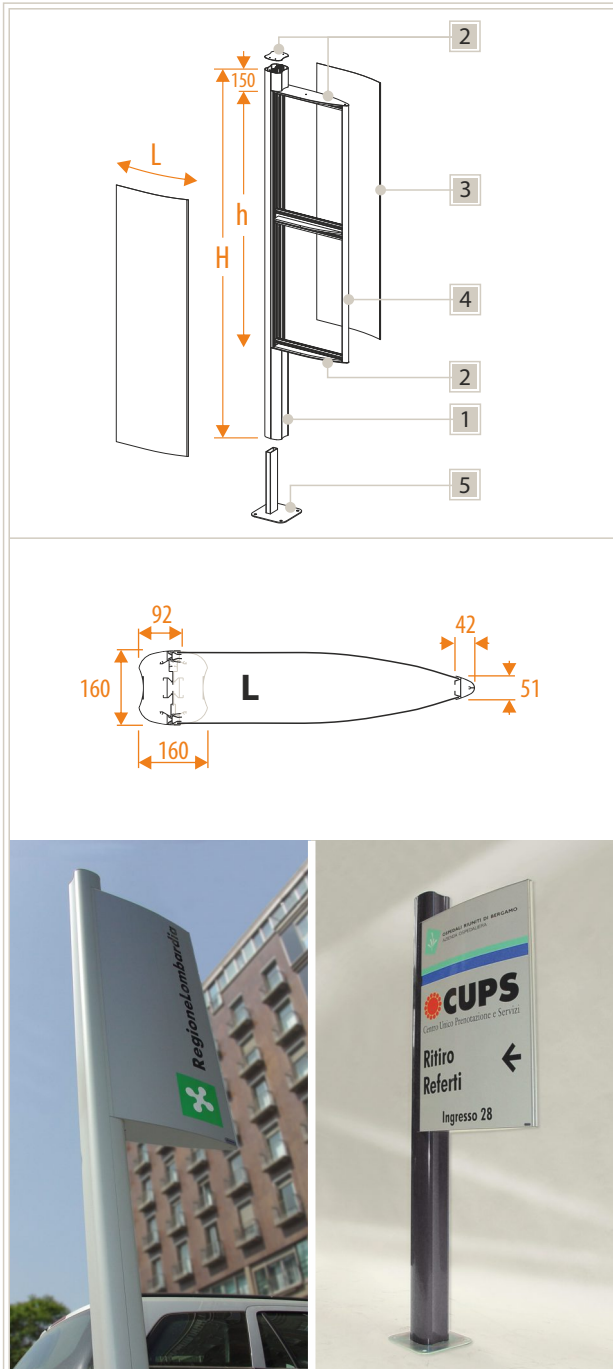


LIGHTING SYSTEM: an internal lighting system with low tension LED is available.
ILLUMINAZIONE: possibilità di illuminazione interna con impianto a LED a bassa tensione.

	RAL 9016 white bianco	RAL 9006 silver silver	007 ash grey grigio cenere	085 black nero	silver anodized anodizzato silver
1 Aluminium vertical extrusions <i>Montanti in alluminio</i>		✓	✓		
2 Top cap in aluminium composite (Dibond) <i>Cielino in Dibond</i>		✓			
3 Panelling in aluminium sheets <i>Pannellature in alluminio</i>	✓	✓	✓	✓	✓
Panelling in aluminium composite sheets (Dibond) <i>Pannellature in Dibond</i>	✓	✓			
Panelling in opaline plexiglas (for totem with lighting system) <i>Pannellature in plexiglass opalino (per totem luminosi)</i>					
4 Flat base in zincated steel (+ anchor plate if necessary) <i>Base piana in acciaio zincato (+ eventuale contropiastra)</i>					
Steel raised base in steel powder coated (+ anchor plate if necessary) <i>Base rialzata in acciaio verniciato (+ eventuale contropiastra)</i>					Texturized silver o texturized anthracite <i>Silver texturizzato o antracite texturizzato</i>
Free standing ballasted base in steel powder coated <i>Base autostabile zavorrata in acciaio verniciato</i>					Texturized silver o texturized anthracite <i>Silver texturizzato o antracite texturizzato</i>
5 Joining profile in aluminium For totems higher than 3 meters or for different materials junctions. <i>Profilo di giunzione in alluminio</i> <i>Per altezze superiori ai 3 metri o in caso di combinazione di pannelli in materiali diversi.</i>		✓	✓		✓

L PROJECTING TOTEM - CURVED

TOTEM A BANDIERA CONVESSI



5000	2500	TM4.L60250-500	TM4.L90250-500
	2000	TM4.L60200-500	TM4.L90200-500
	1500	TM4.L60150-500	TM4.L90150-500
	1000	TM4.L60100-500	TM4.L90100-500
4300	2500	TM4.L60250-430	TM4.L90250-430
	2000	TM4.L60200-430	TM4.L90200-430
	1500	TM4.L60150-430	TM4.L90150-430
	1000	TM4.L60100-430	TM4.L90100-430
3200	2500	TM4.L60250-320	TM4.L90250-320
	2000	TM4.L60200-320	TM4.L90200-320
	1500	TM4.L60150-320	TM4.L90150-320
	1000	TM4.L60100-320	TM4.L90100-320
2500	2000	TM4.L60200-250	TM4.L90200-250
	1500	TM4.L60150-250	TM4.L90150-250
	1000	TM4.L60100-250	TM4.L90100-250
2100	1500	TM4.L60150-210	TM4.L90150-210
	1000	TM4.L60100-210	TM4.L90100-210
H	h	L	L

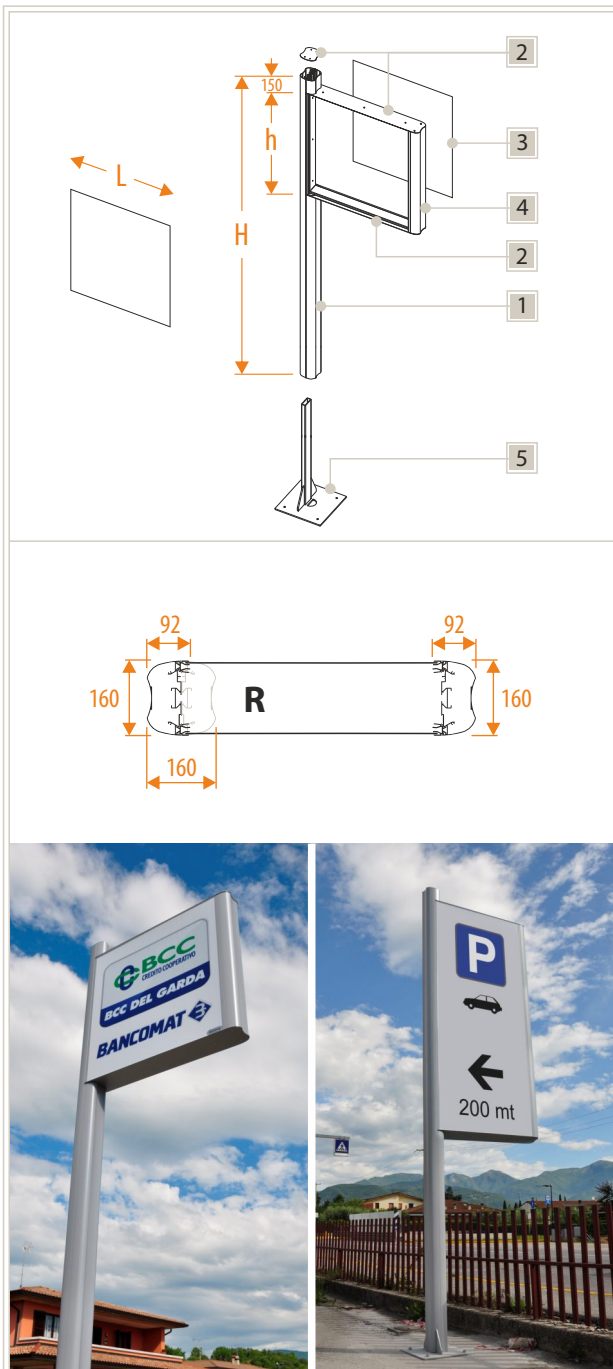
LIGHTING SYSTEM:
 an internal lighting system with low tension LED is available.

ILLUMINAZIONE:
 possibilità di illuminazione interna con impianto a LED a bassa tensione.

	RAL 9016 white bianco	RAL 9006 silver silver	007 ash grey grigio cenere	085 black nero	silver anodized anodizzato silver
1 Aluminium vertical extrusions <i>Montanti in alluminio</i>		✓	✓		
2 Aluminium top caps <i>Cielini in Dibond</i>		✓			
3 Panelling in aluminium composite sheets (Dibond) <i>Pannellature in Dibond</i>	✓	✓			
4 Aluminium side profile <i>Profilo laterale in alluminio</i>		✓	✓		
5 Flat base in zincated steel (+ anchor plate if necessary) <i>Base piana in acciaio zincato (+ eventuale contropiastra)</i>					

R PROJECTING TOTEM - FLAT

TOTEM A BANDIERA PIANI



5000	2000	TM4.R90200-500	
	1500	TM4.R90150-500	TM4.R120150-500
	1200	TM4.R90120-500	TM4.R120120-500
	900	TM4.R9090-500	TM4.R12090-500
	600		TM4.R12060-500
4300	2000	TM4.R90200-430	
	1500	TM4.R90150-430	TM4.R120150-430
	1200	TM4.R90120-430	TM4.R120120-430
	900	TM4.R9090-430	TM4.R12090-430
	600		TM4.R12060-430
3200	2000	TM4.R90200-320	
	1500	TM4.R90150-320	TM4.R120150-320
	1200	TM4.R90120-320	TM4.R120120-320
	900	TM4.R9090-320	TM4.R12090-320
	600		TM4.R12060-320
2500	2000	TM4.R90200-250	
	1500	TM4.R90150-250	TM4.R120150-250
	1200	TM4.R90120-250	TM4.R120120-250
	900	TM4.R9090-250	TM4.R12090-250
	600		TM4.R12060-250
2100	1500	TM4.R90150-210	TM4.R120150-210
	1200	TM4.R90120-210	TM4.R120120-210
	900	TM4.R9090-210	TM4.R12090-210
	600		TM4.R12060-210
	H	h	L

LIGHTING SYSTEM:
 an internal lighting system with low tension LED is available.

ILLUMINAZIONE:
 possibilità di illuminazione interna con impianto a LED a bassa tensione.

	RAL 9016 white bianco	RAL 9006 silver silver	007 ash grey grigio cenere	085 black nero	silver anodized anodizzato silver
1 Aluminium vertical extrusions <i>Montanti in alluminio</i>		✓	✓		
2 Aluminium top caps <i>Cielini in Dibond</i>		✓			
3 Panelling in aluminium composite sheets (Dibond) <i>Pannellature in Dibond</i>	✓	✓			
Panelling in opaline plexiglas (for totem with lighting system) <i>Pannellature in plexiglass opalino (per totem luminosi)</i>					
4 Aluminium side profile <i>Profilo laterale in alluminio</i>		✓	✓		
5 Flat base in zincated steel (+ anchor plate if necessary) <i>Base piana in acciaio zincato (+ eventuale contropiastra)</i>					