

ARTEMA
ARREDI / DESIGN / CONTRACT



SALINA
technical catalogue

VALERIA LONGO DESIGN
All rights reserved



SALINA

Living small spaces has never been **so easy!**



INDEX

1 the context

2 the project

3 the living side

4 the kitchen side

5 the storage side

6 the sleeping side

7 the use

8 the designs and the materials



THE CONTEXT

The modern society hangs in the balance between two situations: on the one hand, we are increasingly careful to the impact of our actions on the environment, on the other hand, the urbanization is becoming more intense due to the population constant growth.

The result of this condition is that people who live in cities with high density of population, often must face some difficulties: small spaces, elevated expenses, high management cost, the need to use a unique environment in different ways (as a house and as an office), etc.

Considering this context, moving towards small housing solution can be a 'forced' choice but also a true choice of life, even when larger spaces would be available.

There are different reasons behind this 'downsizing' trend, today involving a lot of people: a greater consideration for the environment, the desire to minimize the resources waste, the education to live 'green' and a growing awareness that well-being is linked to our lifestyle more than to the things we own.

So, this context represents a challenge for architects, designer, and also for the users, that need to take advantage of what they have available.

Small housing solution (sometimes very small!) can be valorized with a flexible subdivision of areas that become multifunctional, optimized through a deepened study of the design solutions and, finally, characterized with a particular aesthetics and a strong personality.

The mix of these elements makes small flat real 'jewels', so beautiful and functional not make to regret larger alternatives.

So, regardless of the reasons for this choice.. welcome TINY HOUSE and welcome SALINA!

SALINA is a multi-functional furniture solution, result of a careful balance between invention and creativity. Thanks to its clean lines and compact volumes, it fits into our studio flat, leaned on a wall or freestanding. Salina is a unique piece of furniture that turns a single room into a complete space with kitchen, living room, storage section and sleeping area.

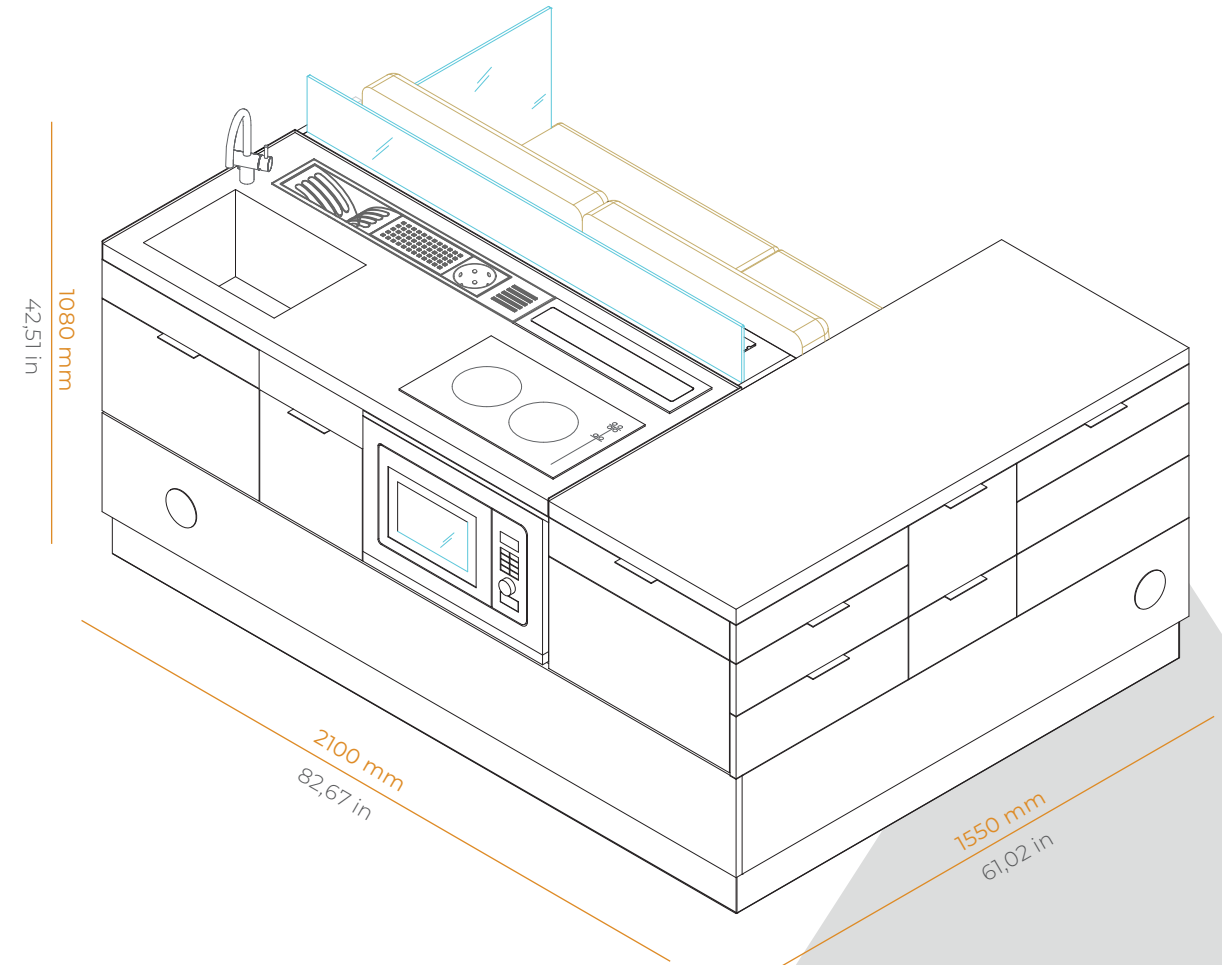
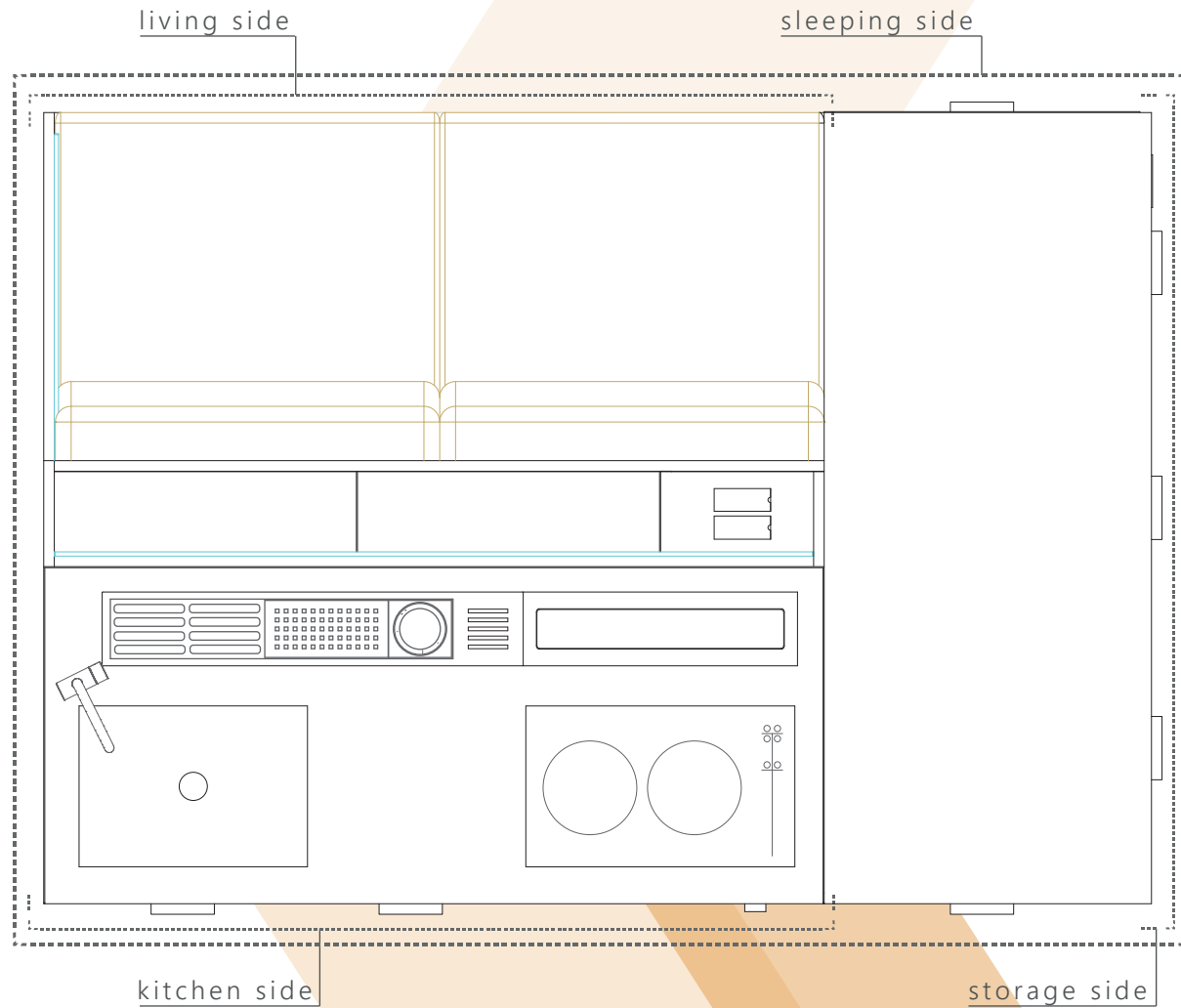
THE PROJECT



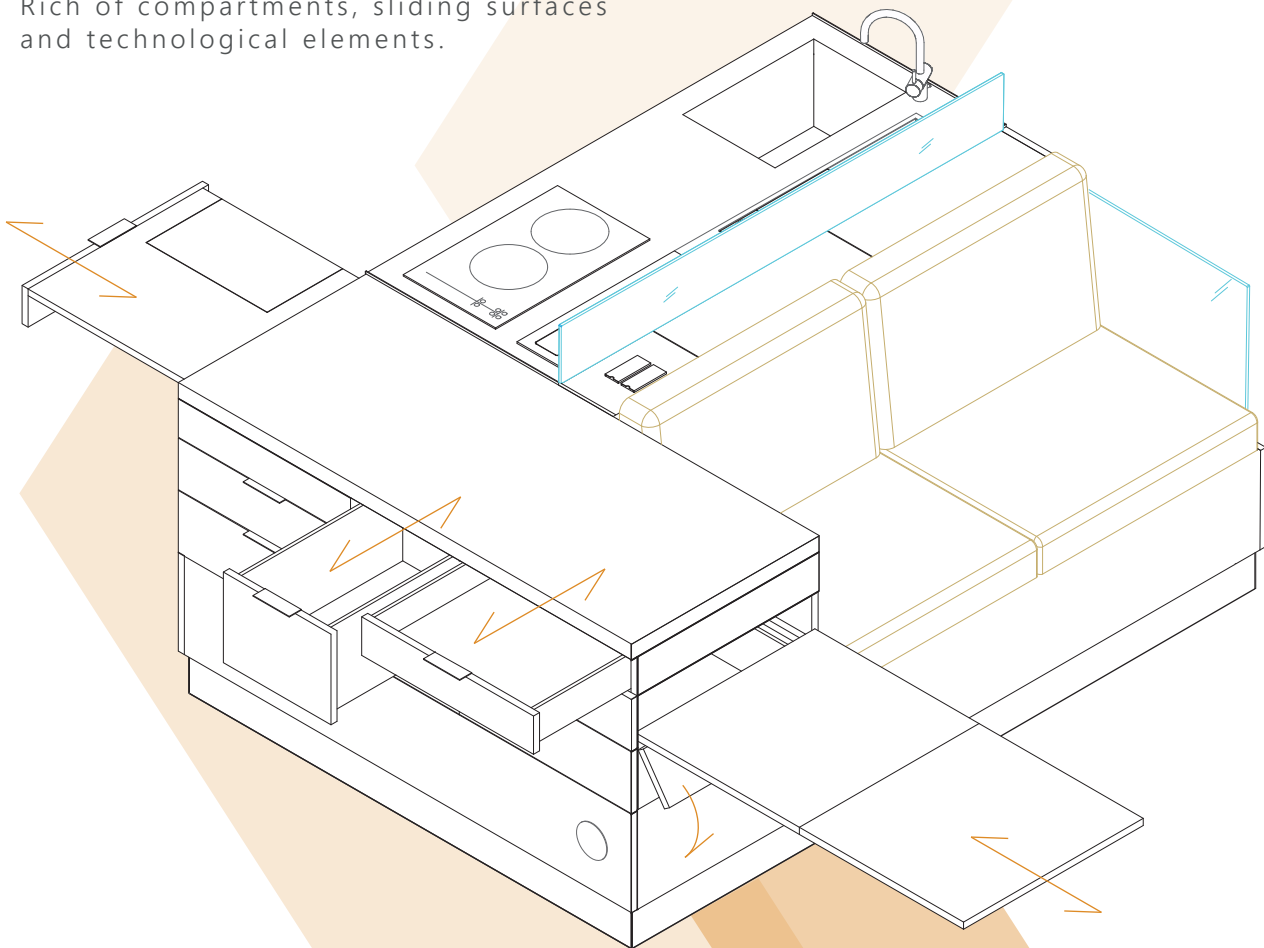
THE PROJECT



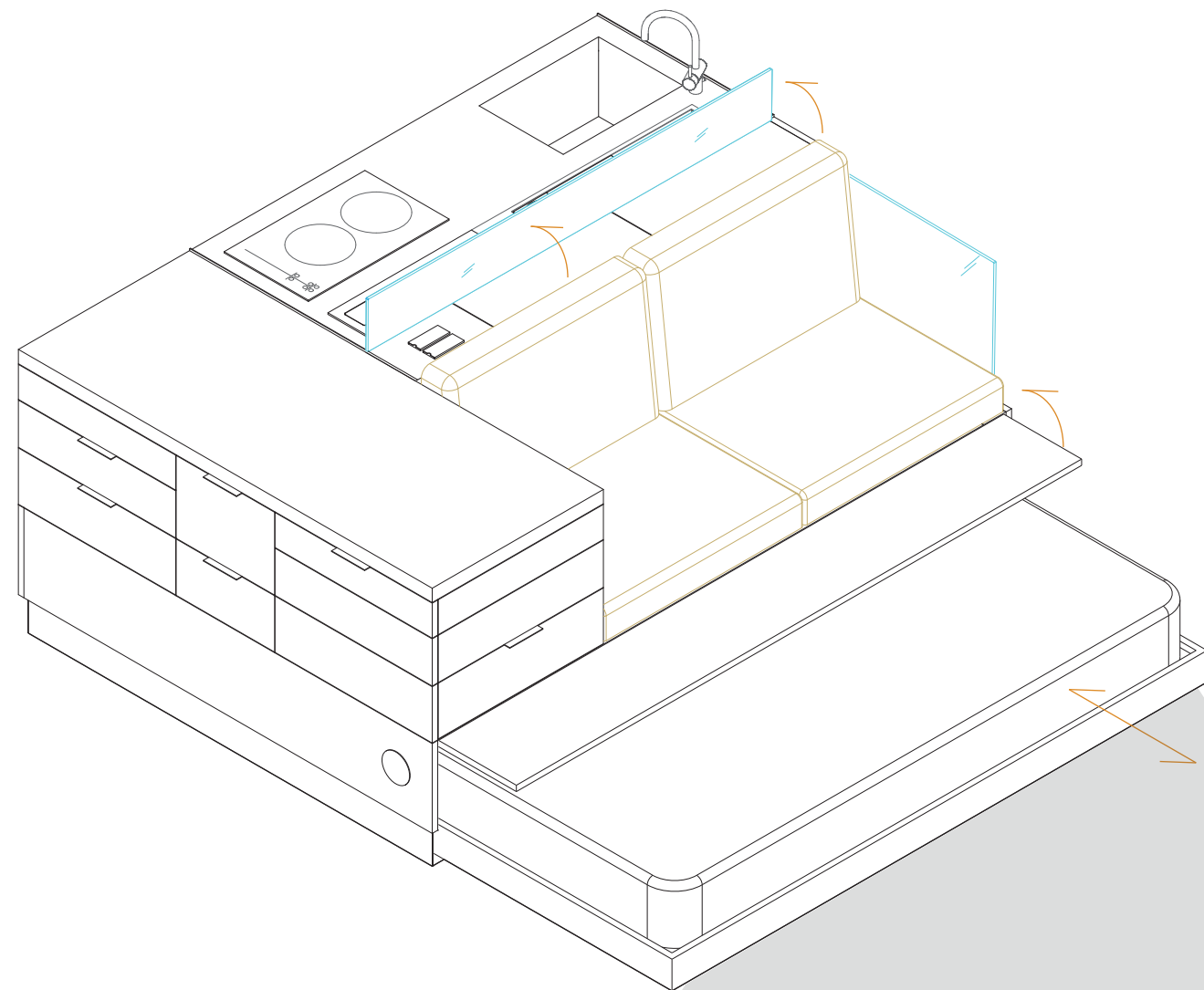
THE PROJECT



Rich of compartments, sliding surfaces and technological elements.



THE PROJECT



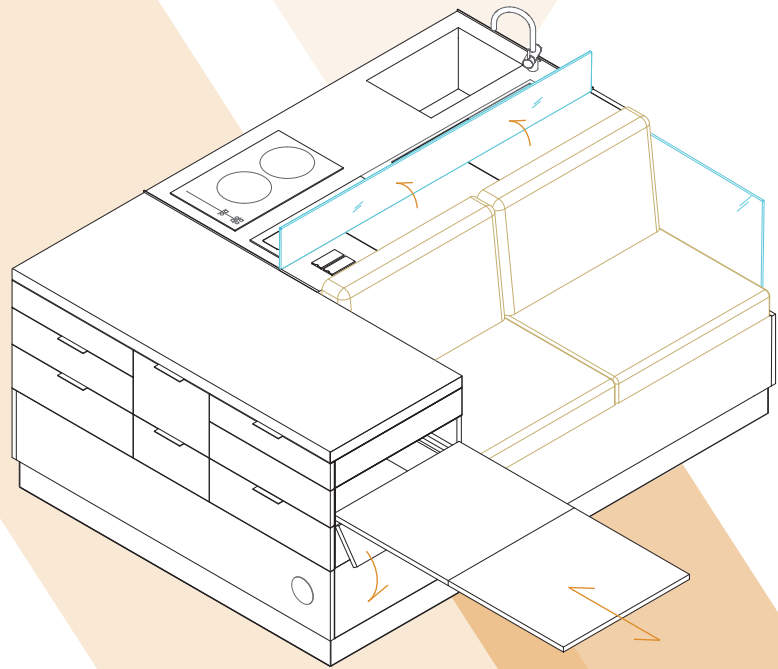
THE LIVING SIDE

The compartments behind the sofa can contain the pillows of the bed, plaids or any other thing.

The concealed power socket can be used for charge the devices.

The bluetooth controller allows you to listen to your own favourite songs directly from your own smartphone.

The sliding table is comfortable for eating or for working, and it can be totally closed inside the structure when not used.

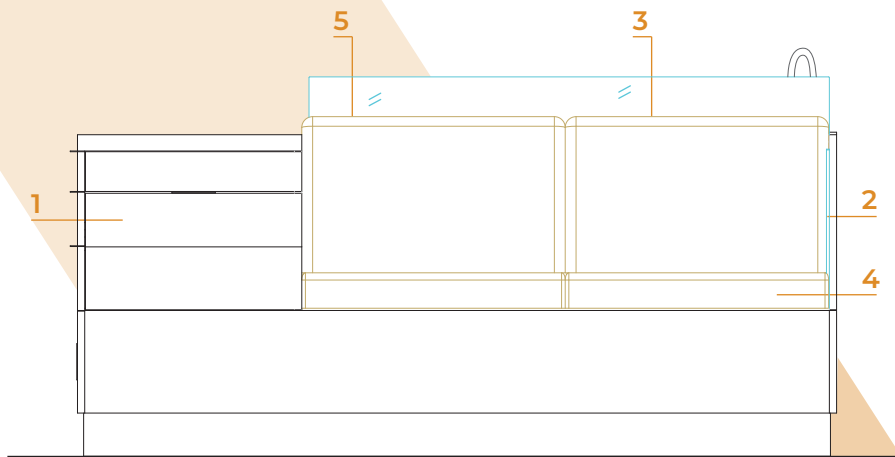


isometric view



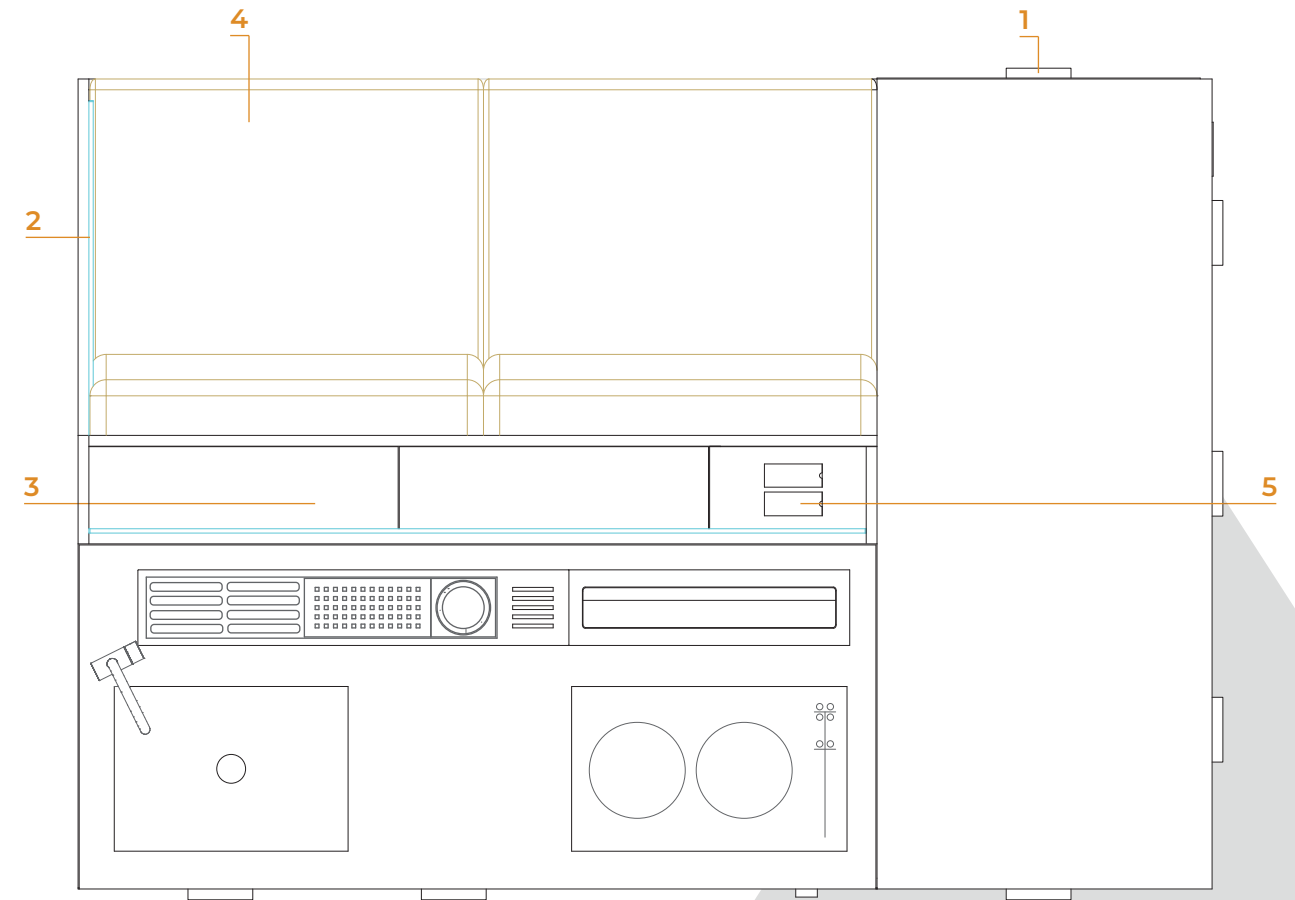
THE LIVING SIDE

- 1 pull-out table (max length 1600 mm / 62,99 in)
- 2 glass flank
- 3 pillows compartments
- 4 sofa
- 5 concealed power socket, USB port and bluetooth stereo controller



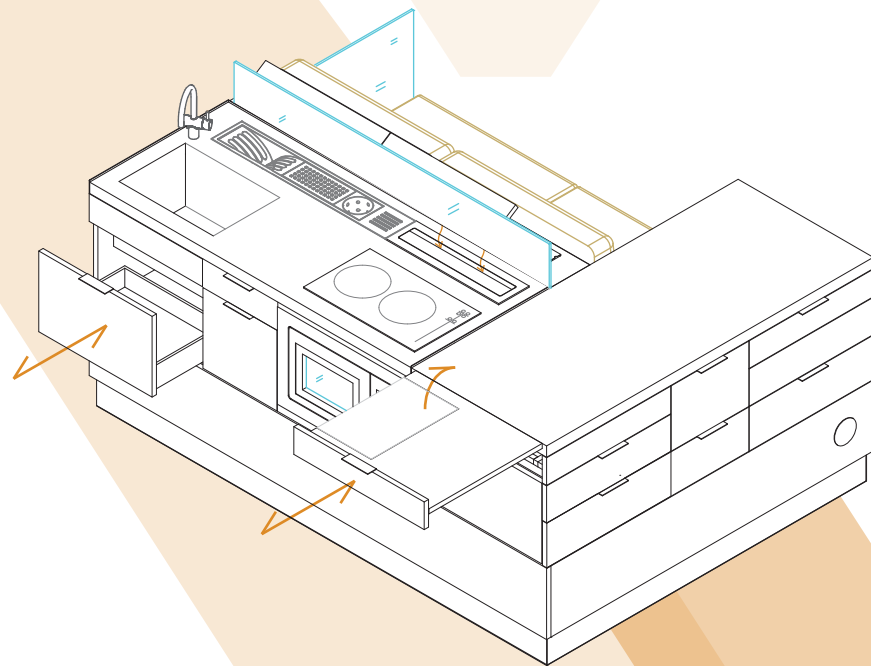
front view

plan view



THE KITCHEN SIDE

The new generation appliances and quality materials make this kitchen complete. The additional worktop with cutting board is very practical and, at the end of the preparation, it can be closed completely inside the furniture. The kitchen equipped track contains all necessary tableware, and a drainage system drains the water inside after washing. The induction plan, the microwave oven combined and the extractor hoods allow the preparation of all kind of dish.

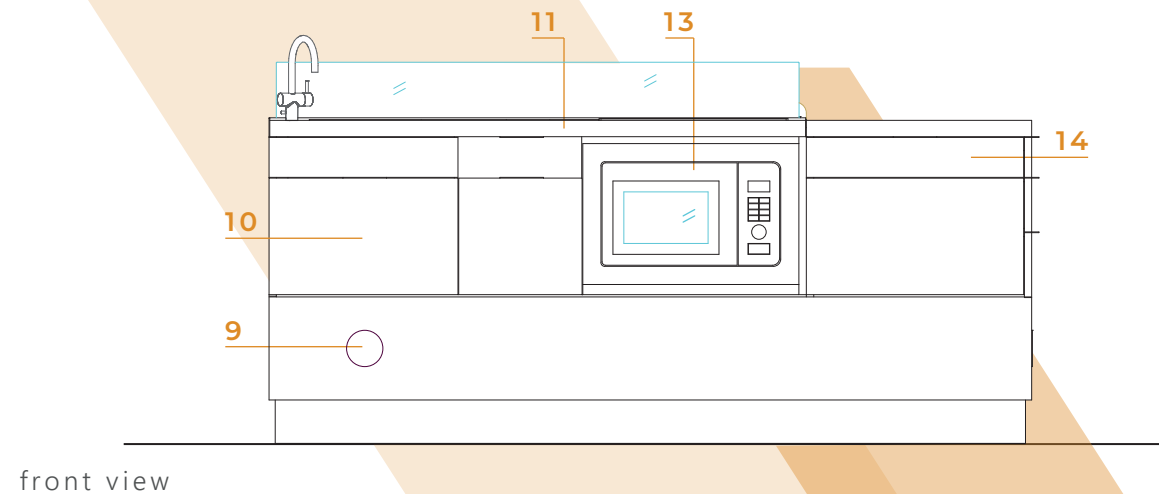


isometric view

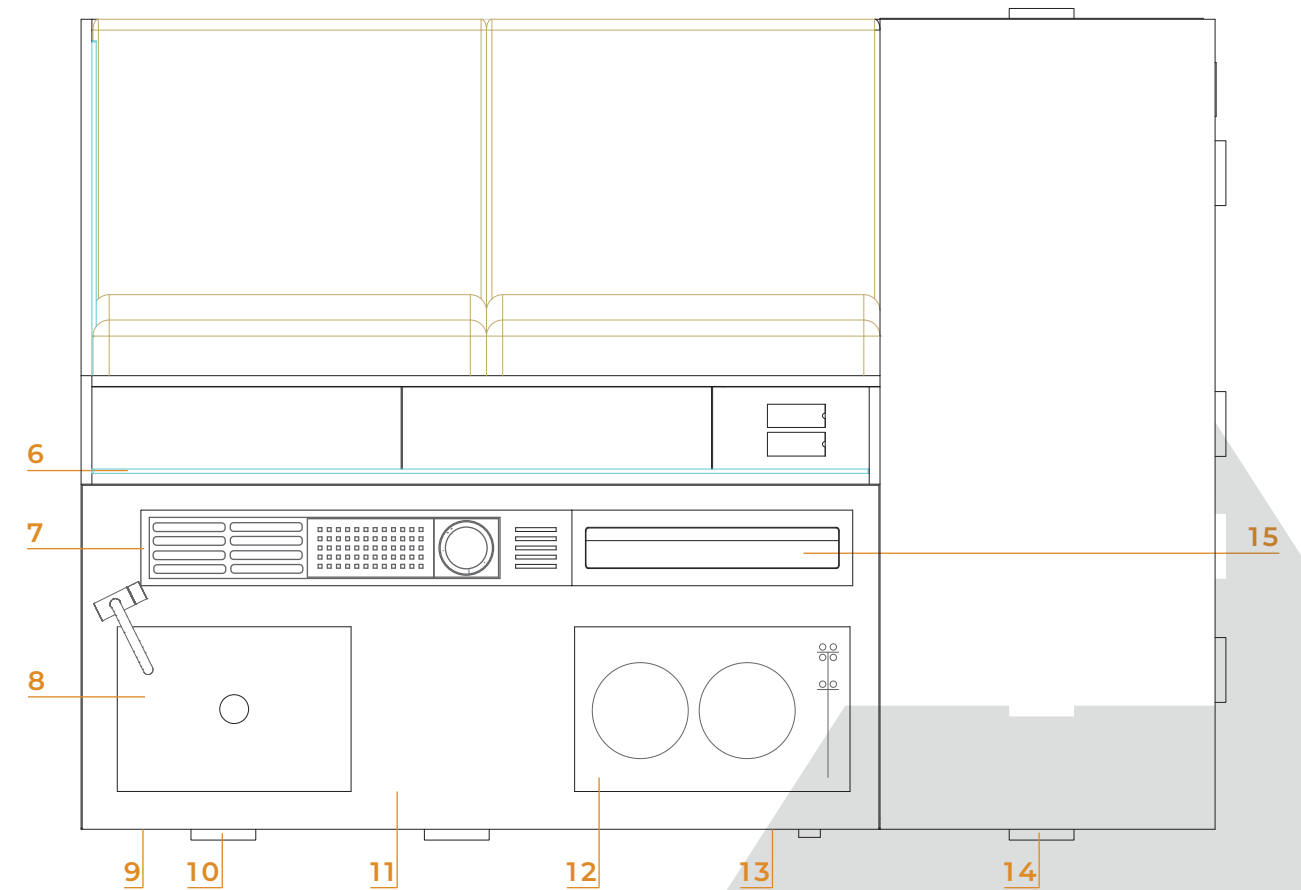


THE KITCHEN SIDE

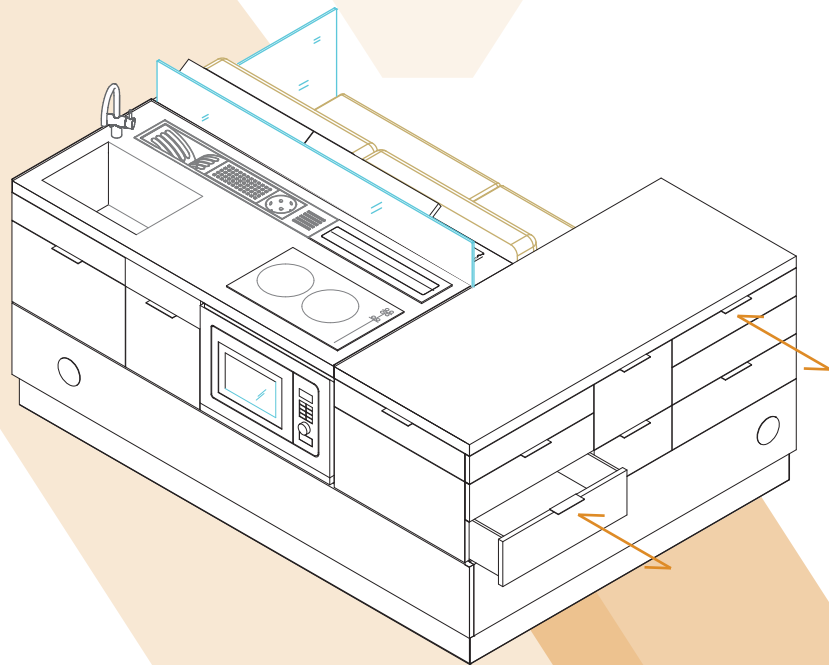
- 6 glass divisor with led lighting
- 7 kitchen equipped track (containing plates - glasses - cutlery)
- 8 integrated solid surface sink
- 9 speaker with bluetooth system
- 10 drawers
- 11 solid surface top
- 12 induction plan
- 13 built-in microwave oven combined
- 14 extractable worktop with incorporated cutting board
- 15 built-in extractor hoods



plan view



The numerous compartments and drawers contain all the things of the house. The large surface is very comfortable to support own complement, and looks very beautiful thanks to the solid wood grains. Thanks to the bluetooth speaker is always possible to listen to your own playlist with a quality sound, directly from your own device.

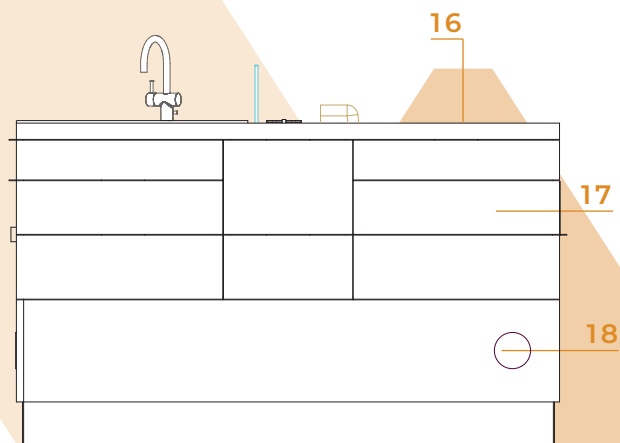


isometric view

THE STORAGE SIDE



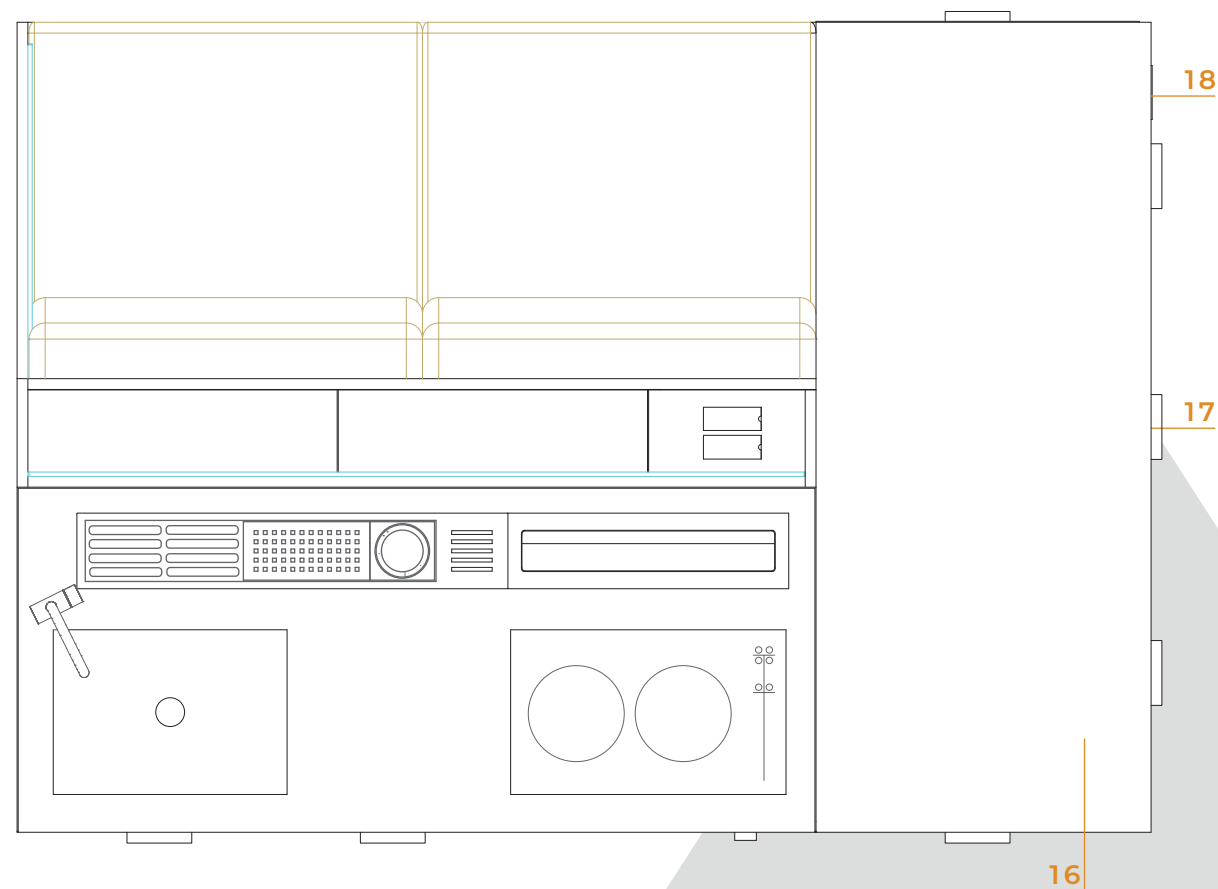
- 16** solid wood surface
- 17** drawers
- 18** speaker with bluetooth system



front view

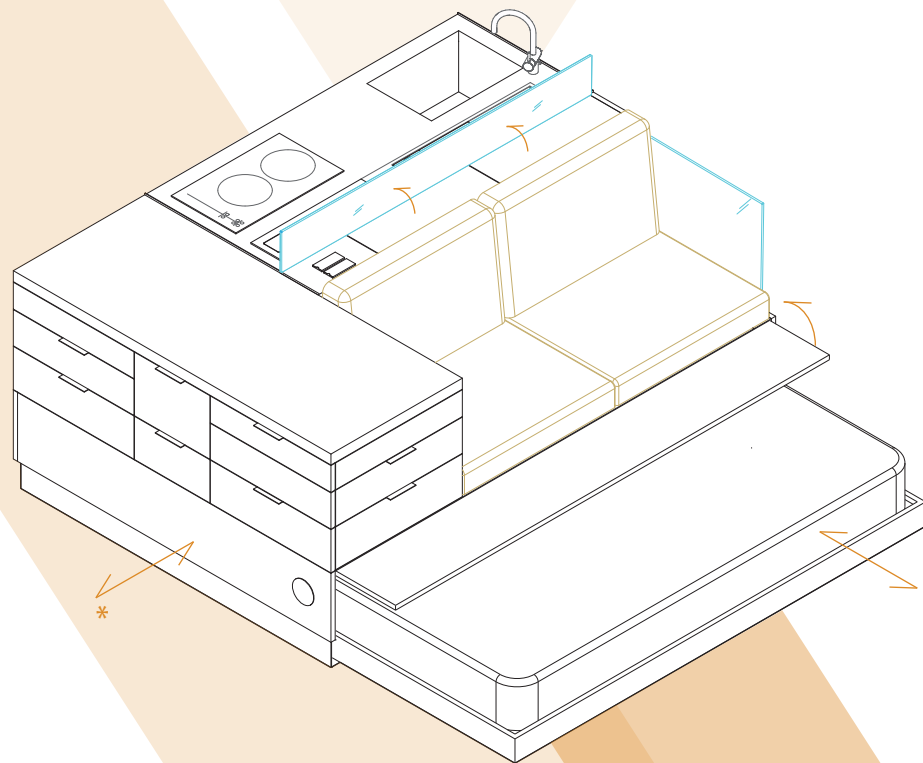
THE STORAGE SIDE

plan view



THE SLEEPING SIDE

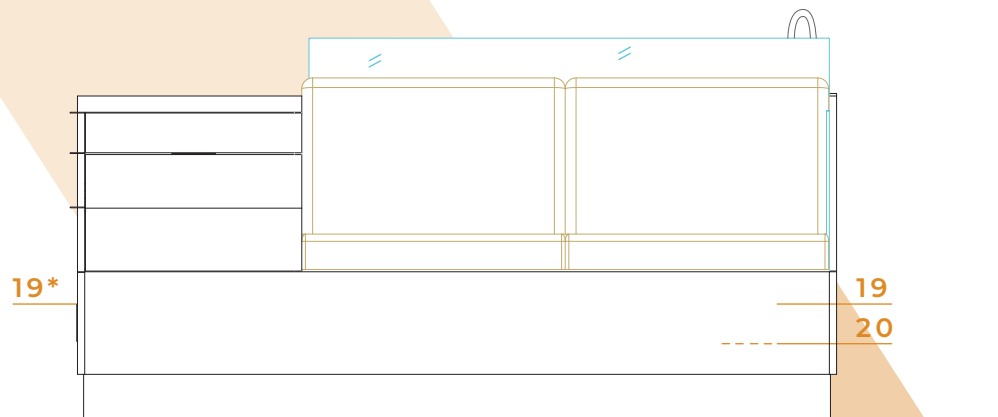
The comfortable queen-size bed on wheels can be drawn out opening the special vain, and lifted up like a standard bed to enjoy a comforting rest. The pillows can be extracted from the compartments behind the sofa. The opening door for the bed can be arranged along the short side* of the furniture.



isometric view



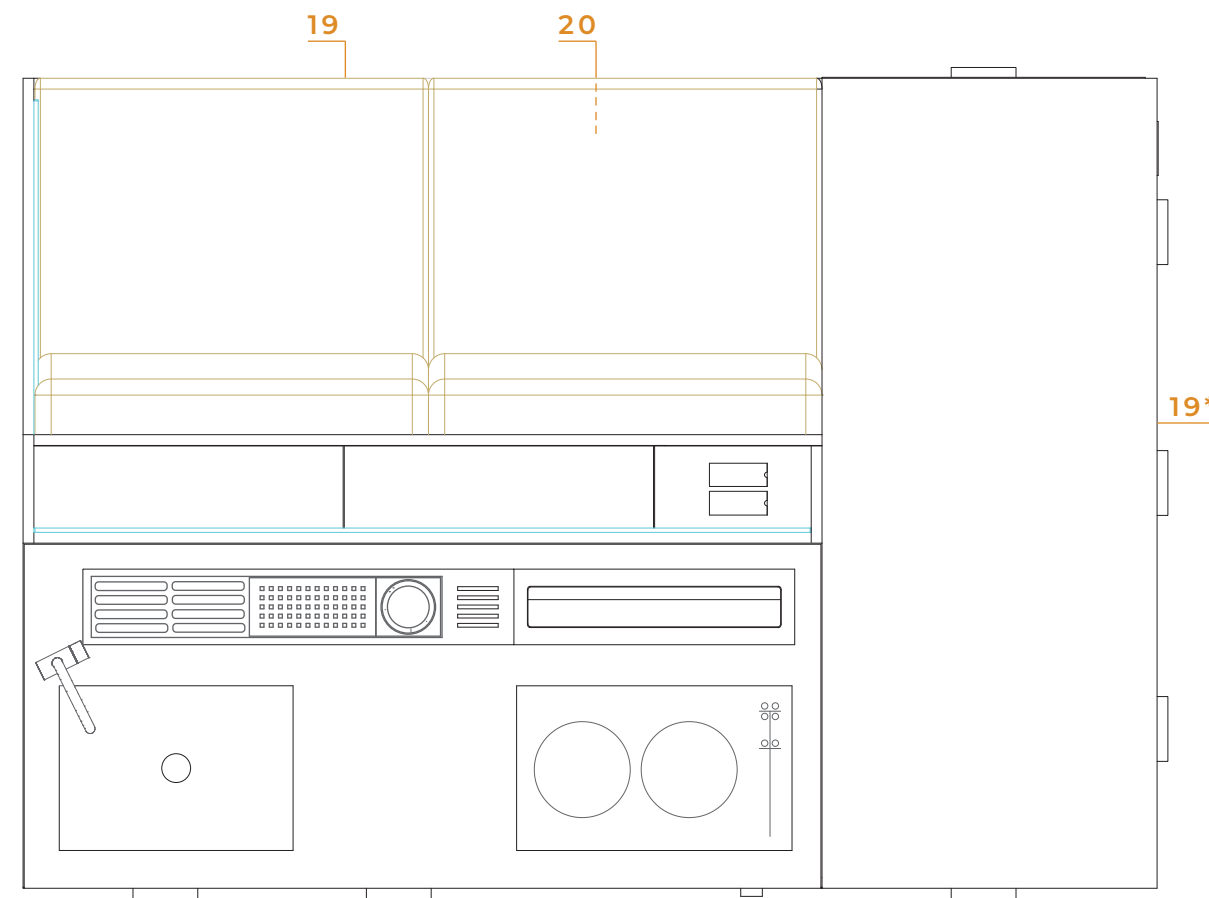
- 19** access door for to the bed
- 19*** second possible access door in accord with the room shape
- 20** extractable queen-size bed (l 1400 mm / 55,88 in)



front view

THE SLEEPING SIDE

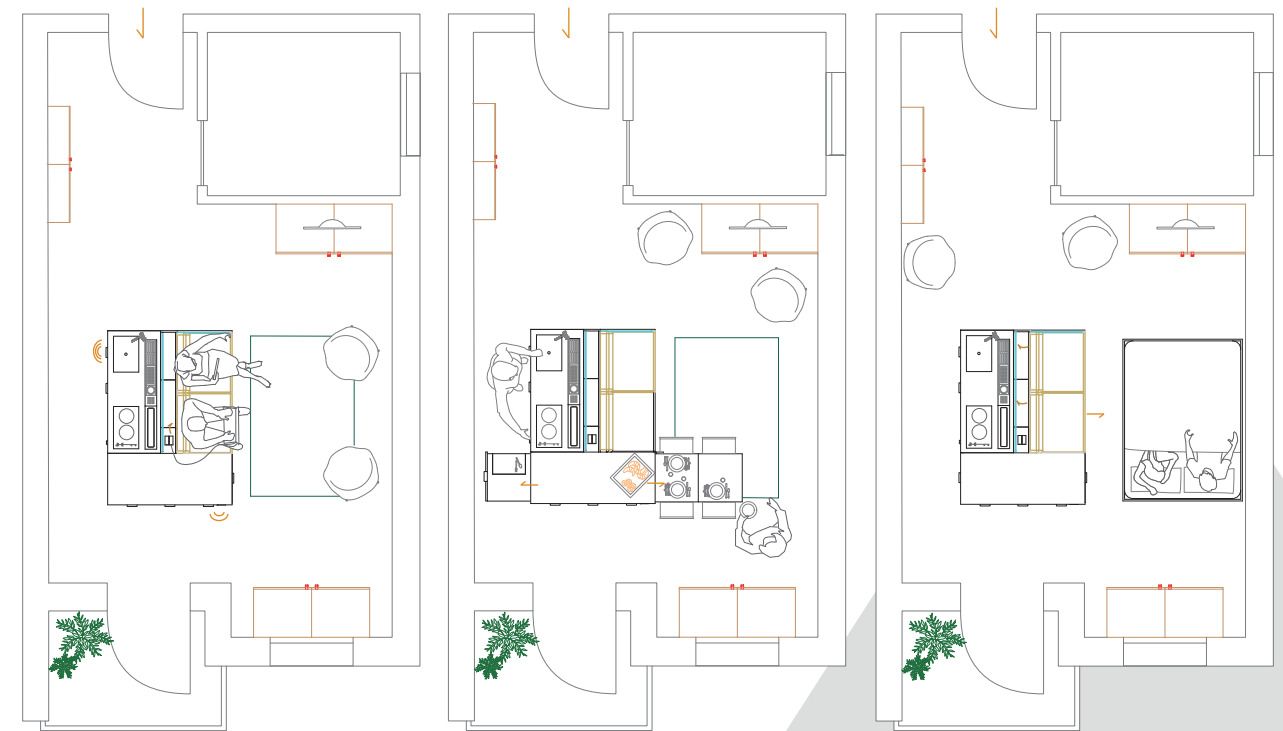
plan view



THE USE

Salina inside Joe and Carla's flat - 29 m² / 312,2 ft²

Reading a book or web-surfing.
Cooking while have a drink with friends.
Whatching TV or just sleeping.



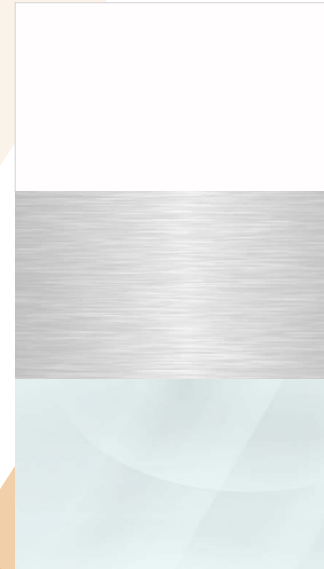
THE DESIGNS AND THE MATERIALS

Design B1

- 1 brown ash
- 2 fenix n.1



- 3 beige linen



- 4 white solid surface

- 5 brushed aluminum

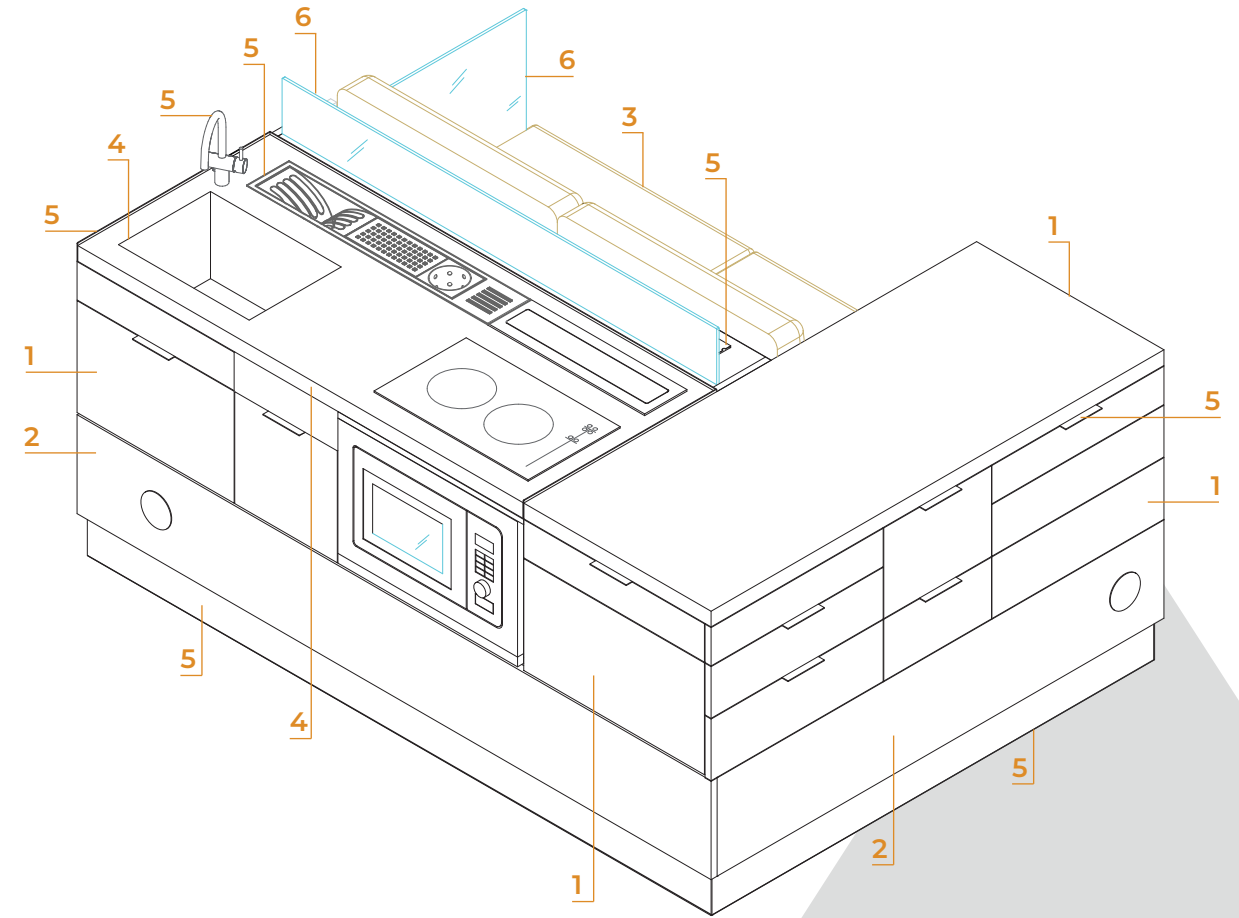
- 6 tempered glass

Design C2

- 1 canaletto walnut
- 2 fenix n.2



- 3 charcoal gray linen





Salina is a small volcanic island located north of Sicily, in the real south of Italy. Luxuriant and wild, it has many souls, ancient history and precious treasures to discover.



CREDITS

Production:

Artema
Contrada Monafria (CT), Italy
www.artemarredi.it
info@artemarredi.it

Design:

Valeria Longo
www.valerialongodesign.com
vld@hotmail.it

Photography:

Giuseppe Barbagiovanni
Emidio Sarpietro

ARTEMA
ARREDI / DESIGN / CONTRACT



Contrada Monafria / Paternò (CT) / Italy / www.artemarredi.it / info@artemarredi.it