



PUBBLICITÀ64

indoor e outdoor advertising

PROFILIA

www.pubblicita64.com



PUBBLICITÀ64

indoor e outdoor advertising

SIGNS

PROFILIA

Light, resistant, practical

The extruded aluminium profiles are 88 obtained by modelling aluminium bars at high temperatures, thus guaranteeing the creation of extremely resistant but at the same time light structures, responding to all the new market needs.

The extrusions marketed by us can be supplied with an anodised OX surface, white-black or painted with reference to the RAL colour chart.

Aluminium extrusions with anodised surface are more suitable if there is a need for greater protection from potentially harmful external agents. The extruded aluminium with painted surface are instead recommended where there are particular aesthetic requirements.





Londra Series



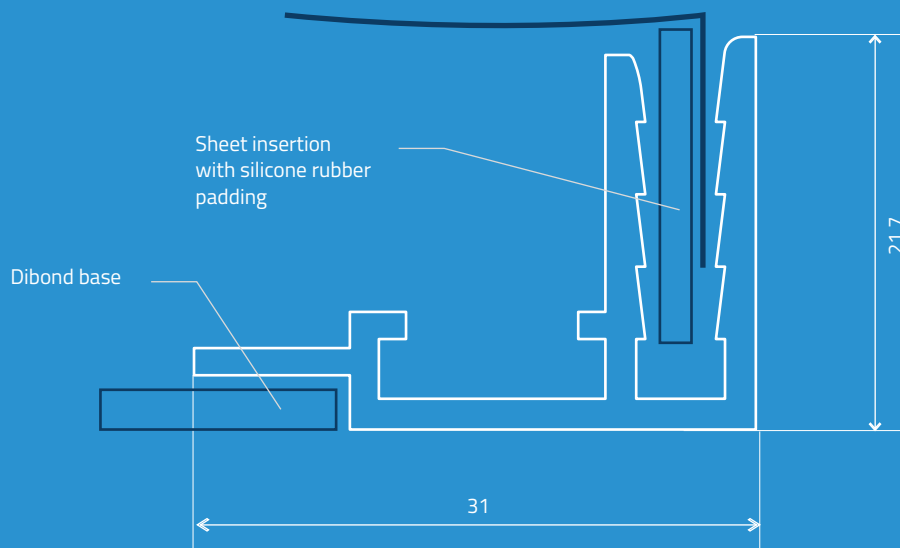
Londra 21 Single-sided

Extruded aluminium profile for fabric tensioning with rubber. Ideal for single-sided non-luminous small to medium-sized lightboxes for wall mounting.

Available colours:

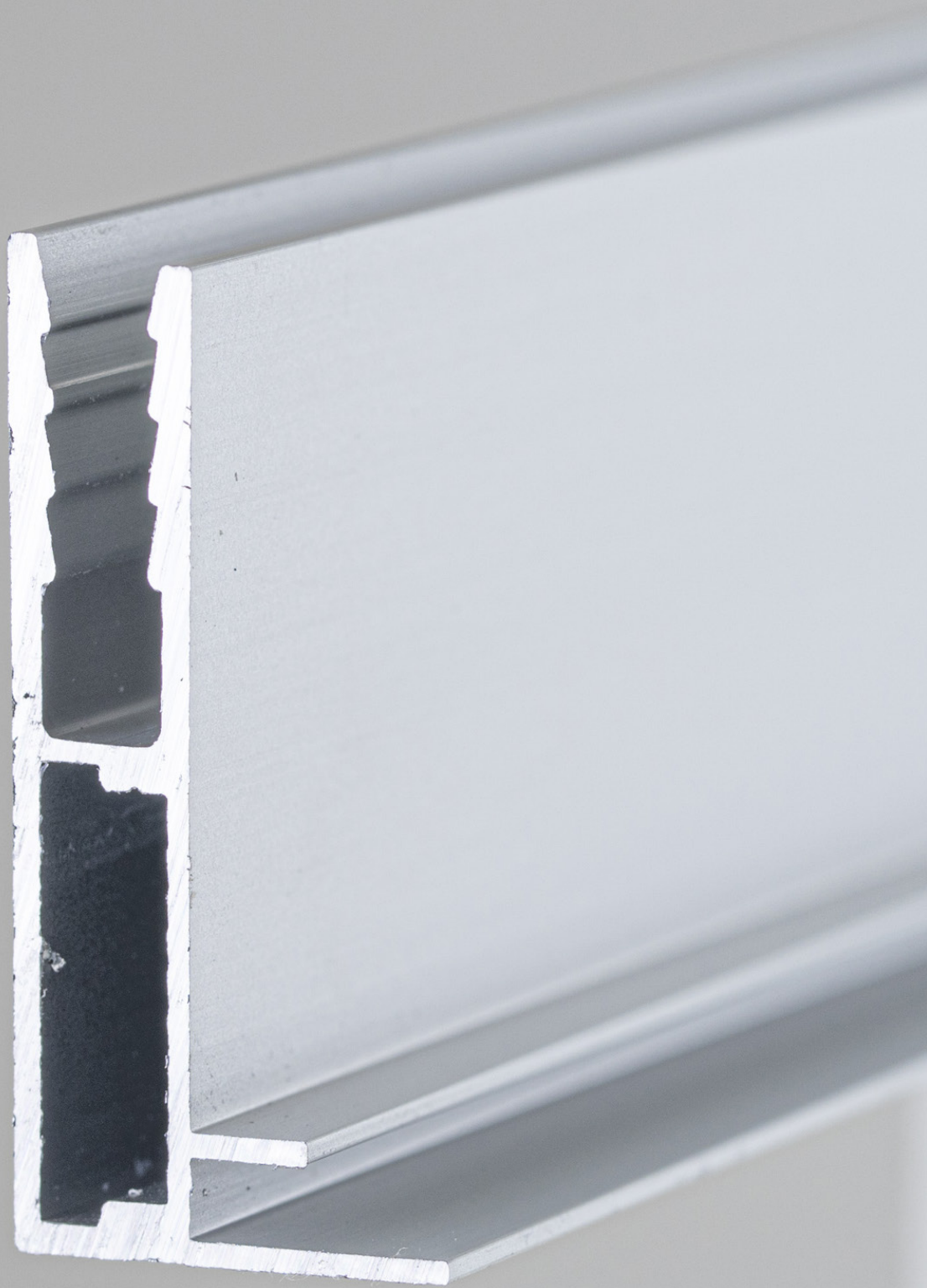


RAL 9003 RAL 9005 RAL 9006





Londra Series



PUBBLICITA64

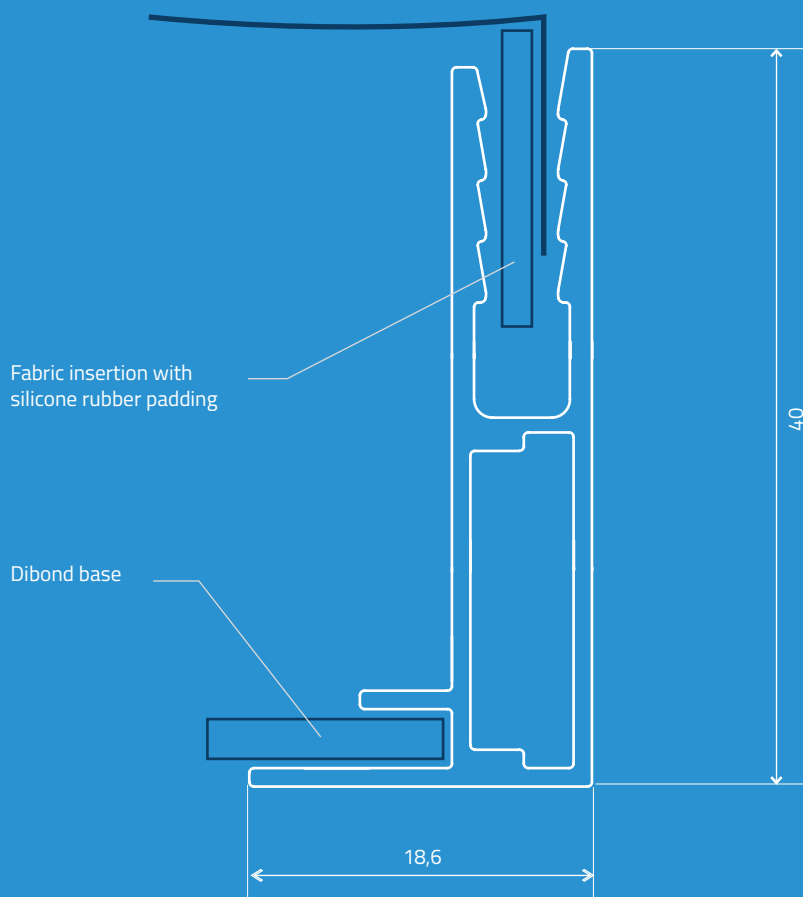
Londra 40 Single-sided

Extruded aluminium profile for fabric tensioning with rubber. Ideal for medium-sized luminous single-sided lightboxes for wall mounting.

Available colours:



RAL 9003 RAL 9005 RAL 9006





Londra Series



PUBBLICITA64

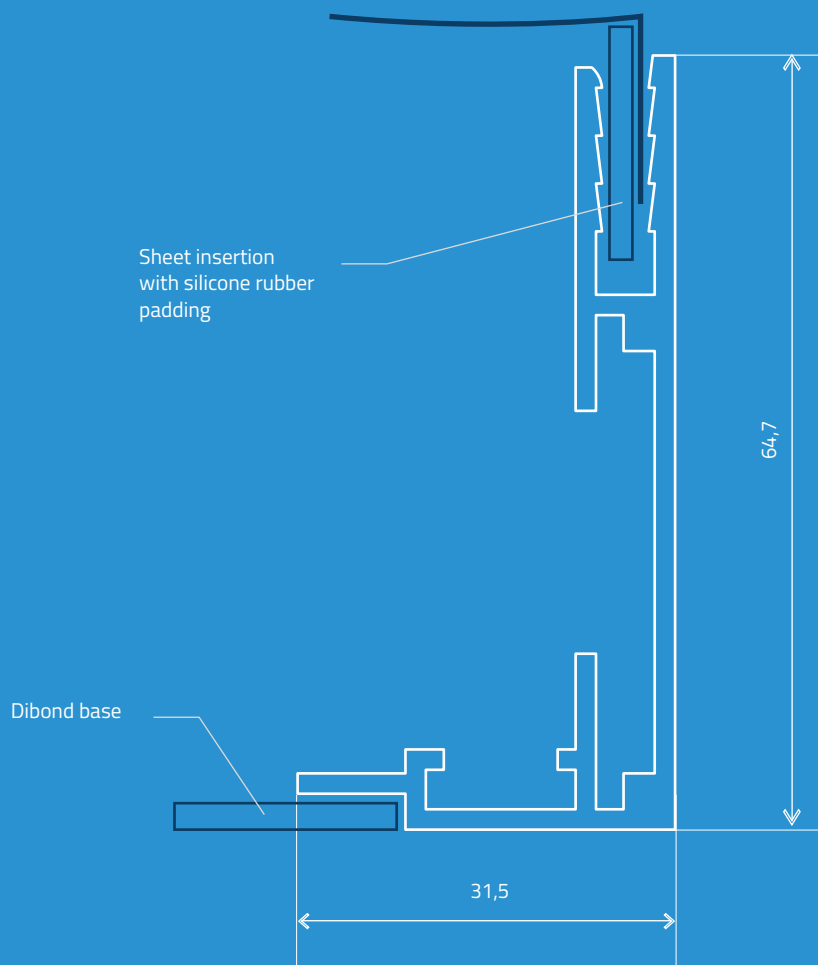
Londra 64 Single-sided

Extruded aluminium profile for fabric tensioning with rubber. Ideal for medium and large sized luminous single-sided lightboxes for wall mounting.

Available colours:



RAL 9003 RAL 9005 RAL 9006





Londra Series



PUBBLICITA64

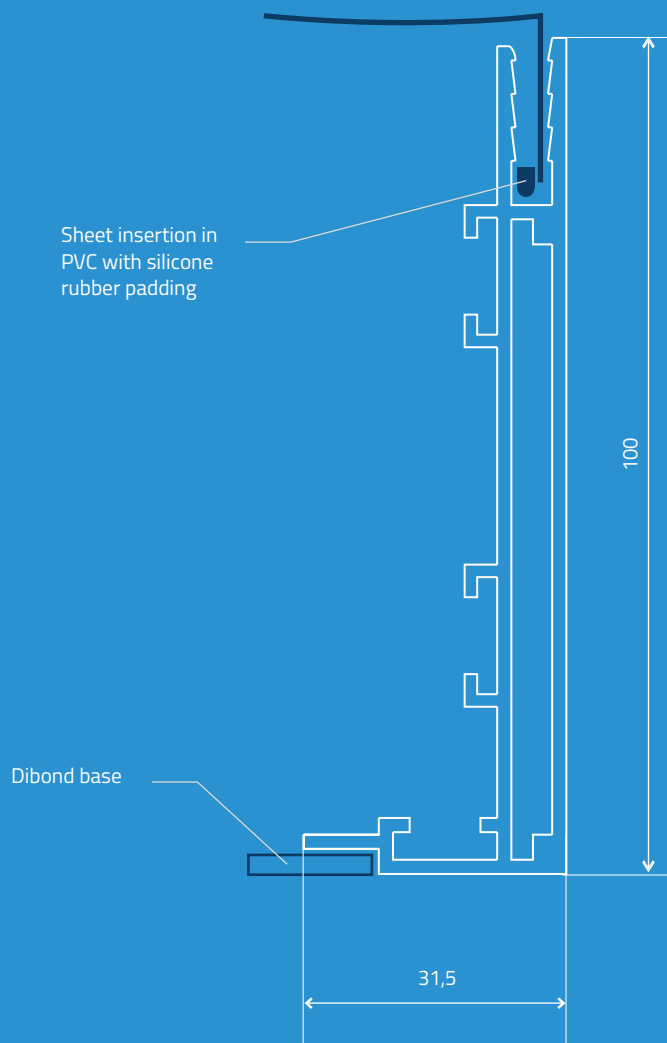
Londra 100 Single-sided

Extruded aluminium profile for fabric tensioning with rubber. Ideal for medium and large sized luminous single-sided lightboxes for wall mounting.

Available colours:

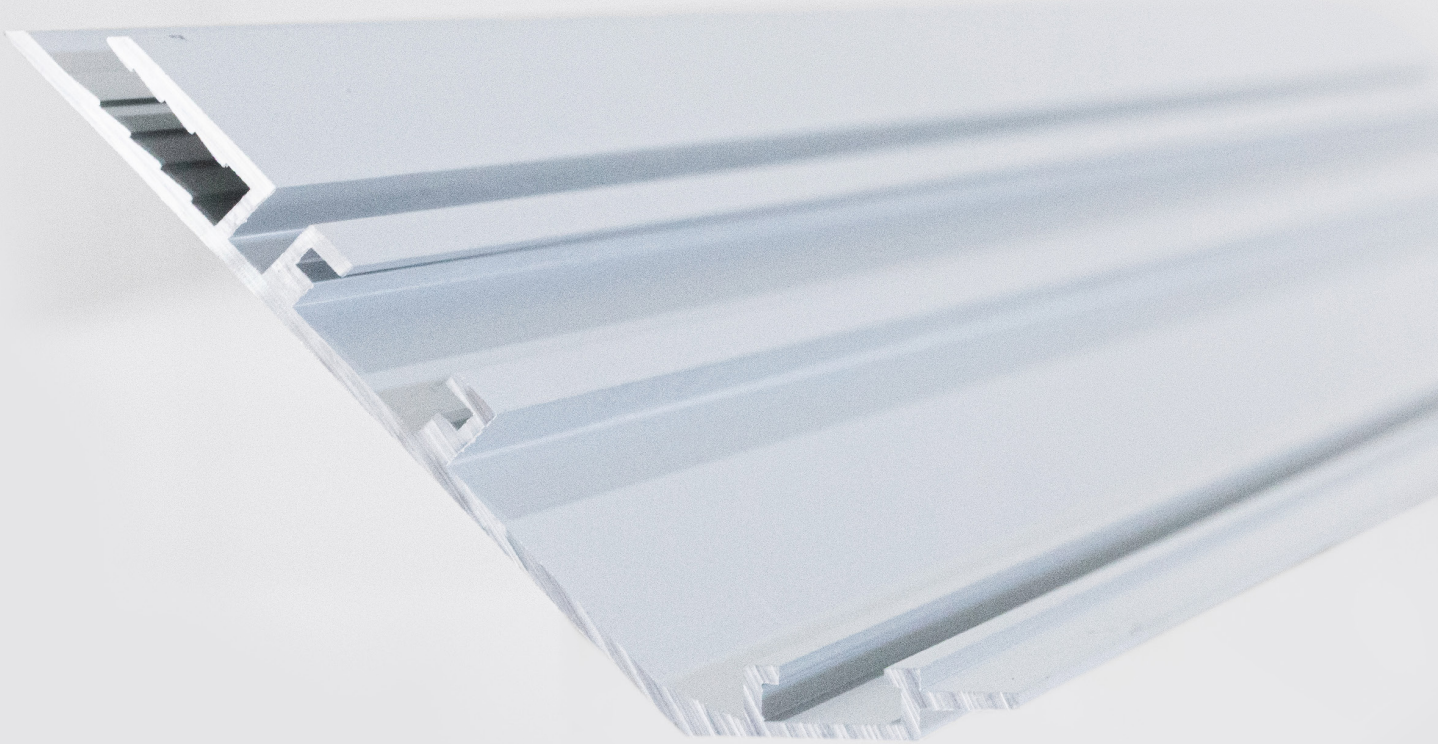


RAL 9003 RAL 9005 RAL 9006





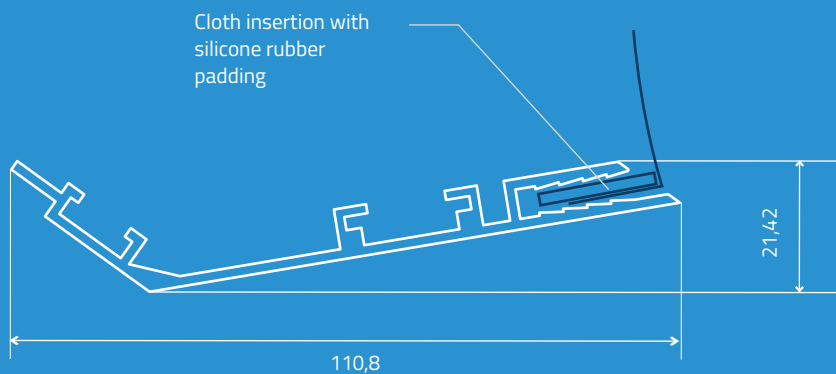
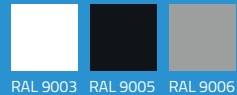
Londra Series



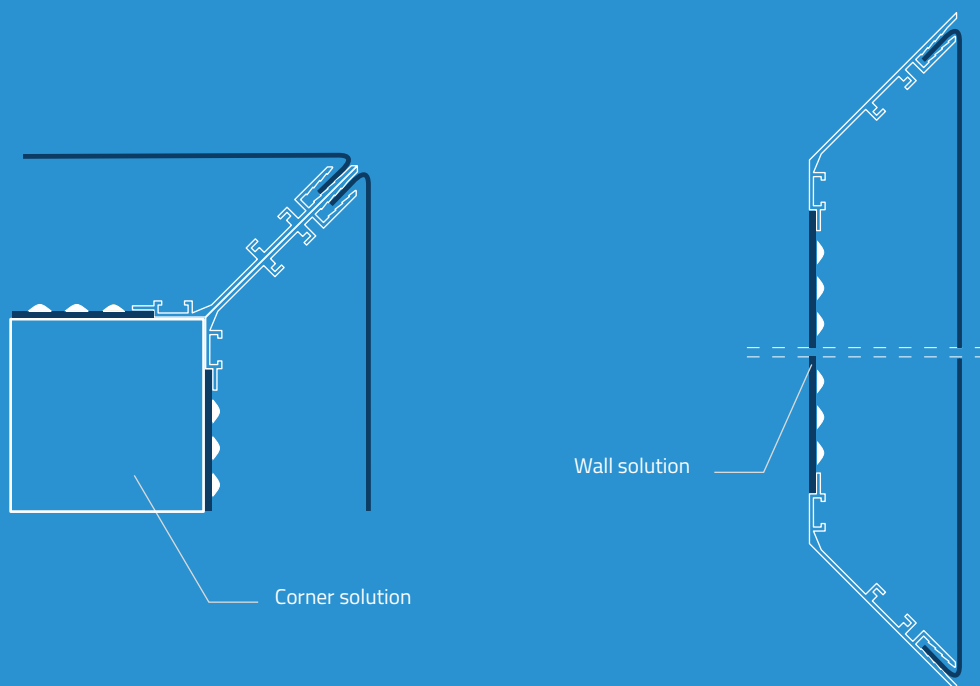
Londra 45° Single-sided

Extruded aluminium profile for fabric tensioning with rubber. To create lightboxes that continue seamlessly around corners on walls or furniture.

Available colours:



15





Londra Series



PUBBLICITA64

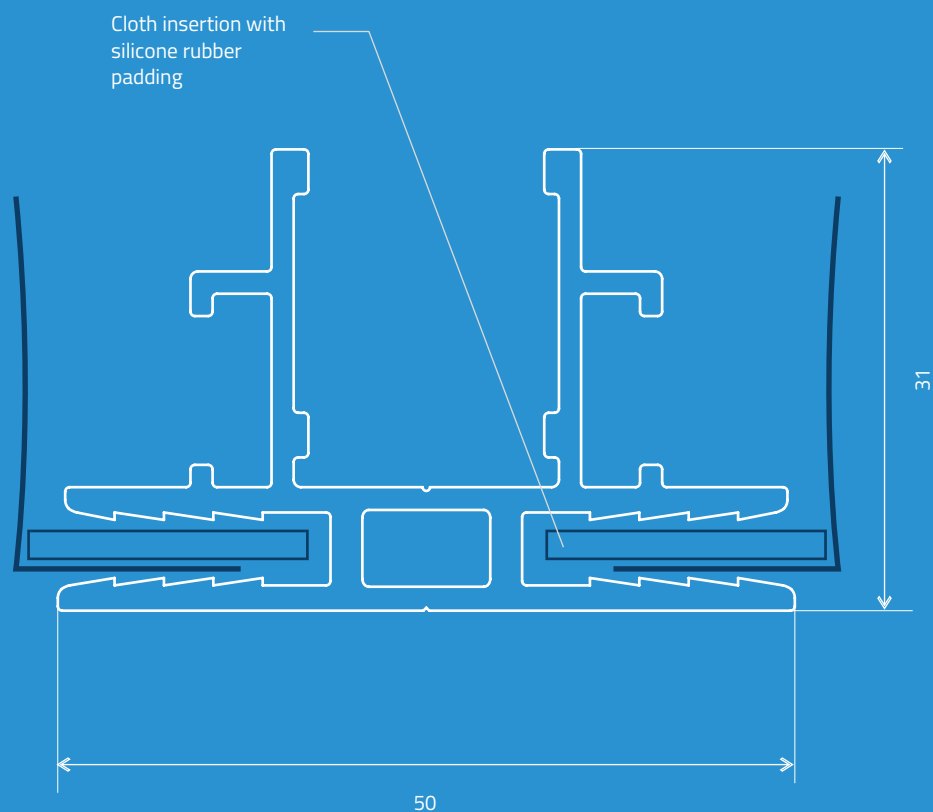
Londra 50 Double-sided

Extruded aluminium profile for fabric tensioning with rubber. Ideal for small and medium-sized non-luminous double-sided lightboxes, suspended or self-supporting fixing.

Available colours:



RAL 9003 RAL 9005 RAL 9006





Londra Series



PUBBLICITA64

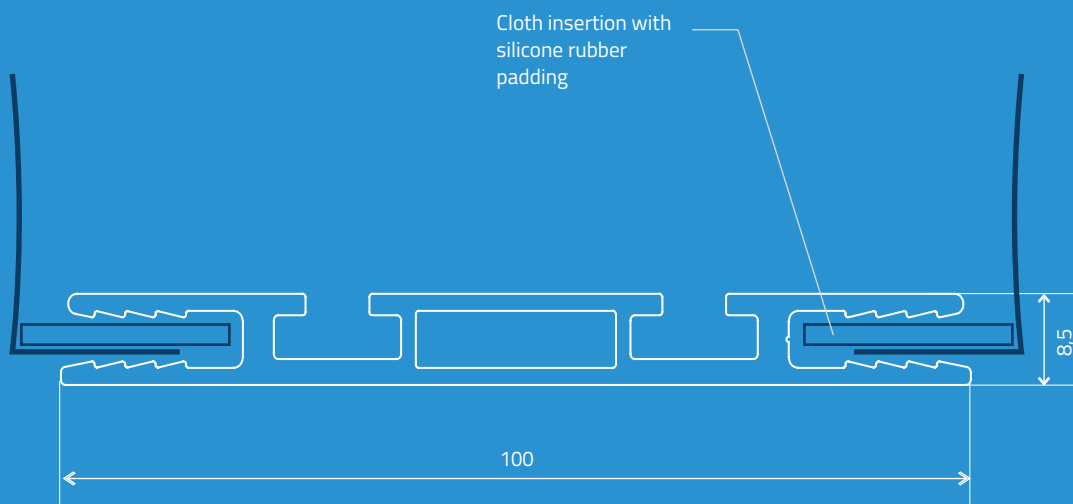
Londra 100 Double-sided

Extruded aluminium profile for fabric tensioning with rubber. Ideal for small and medium-sized bright double-sided lightboxes, suspended or self-supporting fixing.

Available colours:



RAL 9003 RAL 9005 RAL 9006





Londra Series



PUBBLICITA64

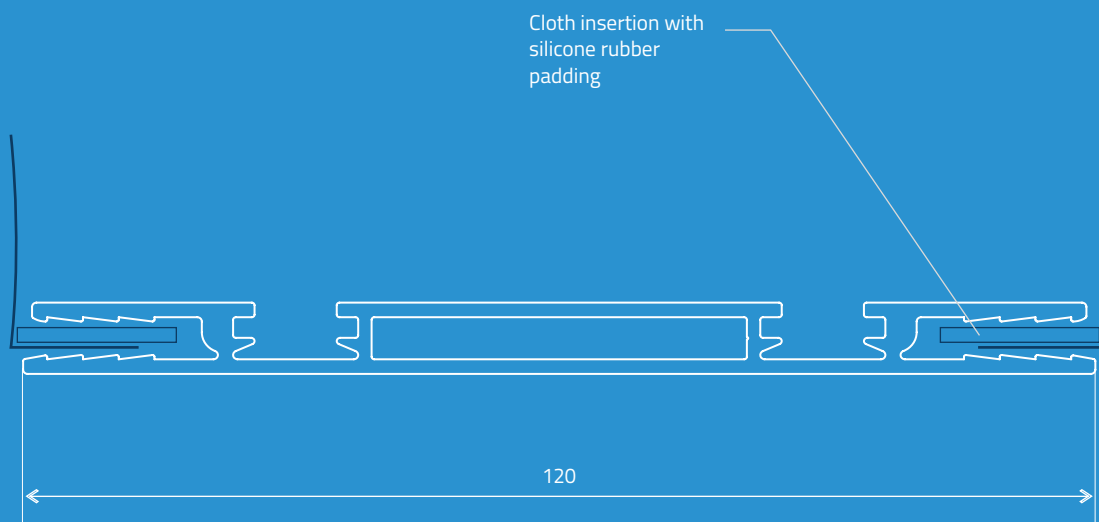
Londra 120 Double-sided

Extruded aluminium profile for fabric tensioning with rubber. Ideal for small and medium-sized bright double-sided lightboxes, suspended or self-supporting fixing.

Available colours:



RAL 9003 RAL 9005 RAL 9006





Londra Series



PUBBLICITA64

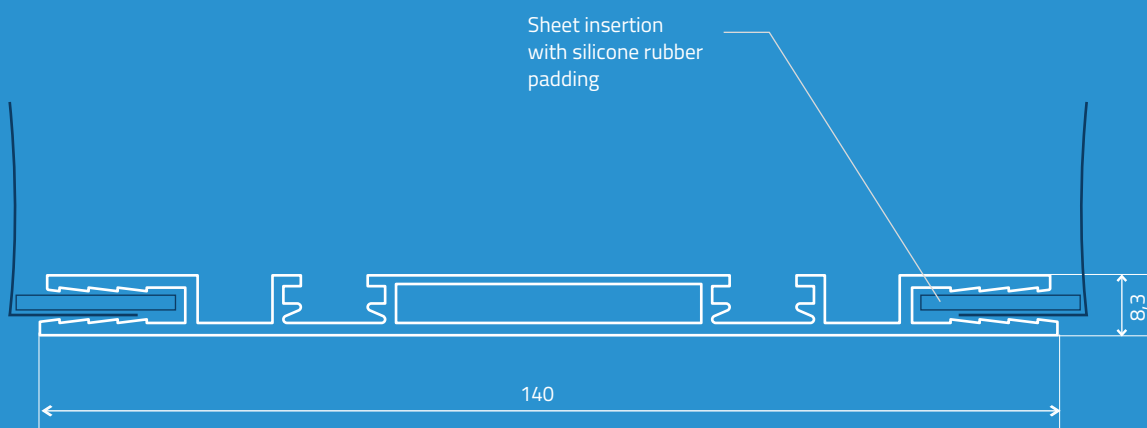
Londra 140 Double-sided

Extruded aluminium profile for fabric tensioning with rubber. Ideal for small and medium-sized bright double-sided lightboxes, suspended or self-supporting fixing.

Available colours:



RAL 9003 RAL 9005 RAL 9006





Roma Series



PUBBLICITA64

Roma 80 Single-sided

Extruded anodised aluminium profile for light boxes. Ideal for small single-sided boxes for indoor and outdoor use.

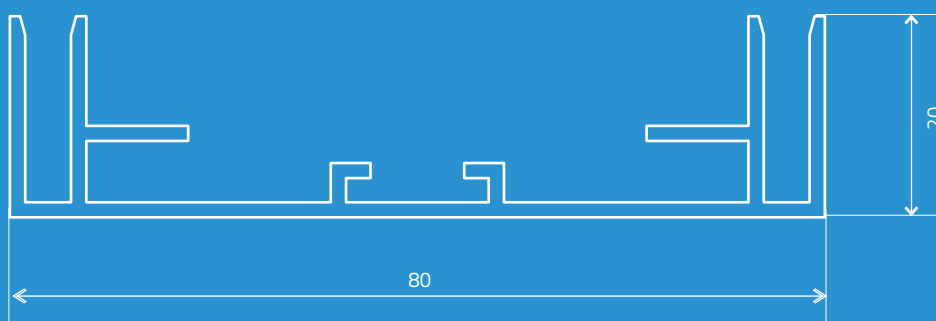
Available colours:



RAL 9003 RAL 9005 RAL 9006



Insertion of Plexiglass plate
or blind panel





Roma Series



PUBBLICITA64

Roma 110 Single-sided

Extruded anodised aluminium profile for light boxes. Ideal for single-sided and double-sided boxes of medium and large dimensions for indoor and outdoor use.

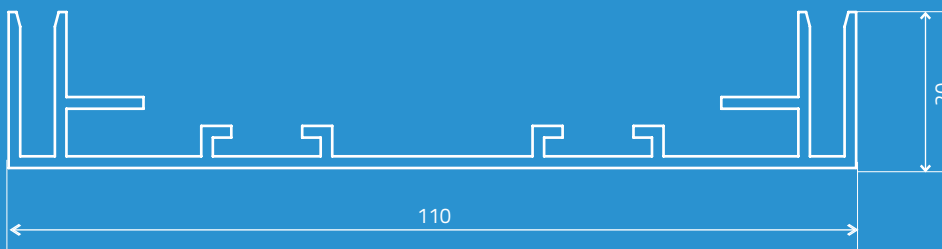
Available colours:



RAL 9003 RAL 9005 RAL 9006



Insertion of Plexiglass plate
or blind panel





Roma Series



PUBBLICITA64

Roma 140 Double-sided

Extruded anodised aluminium profile for light boxes. Ideal for small and medium-sized single-sided boxes for indoor and outdoor use.

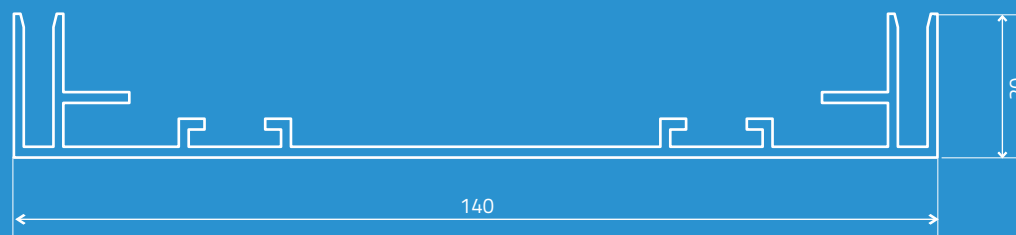
Available colours:



RAL 9003 RAL 9005 RAL 9006

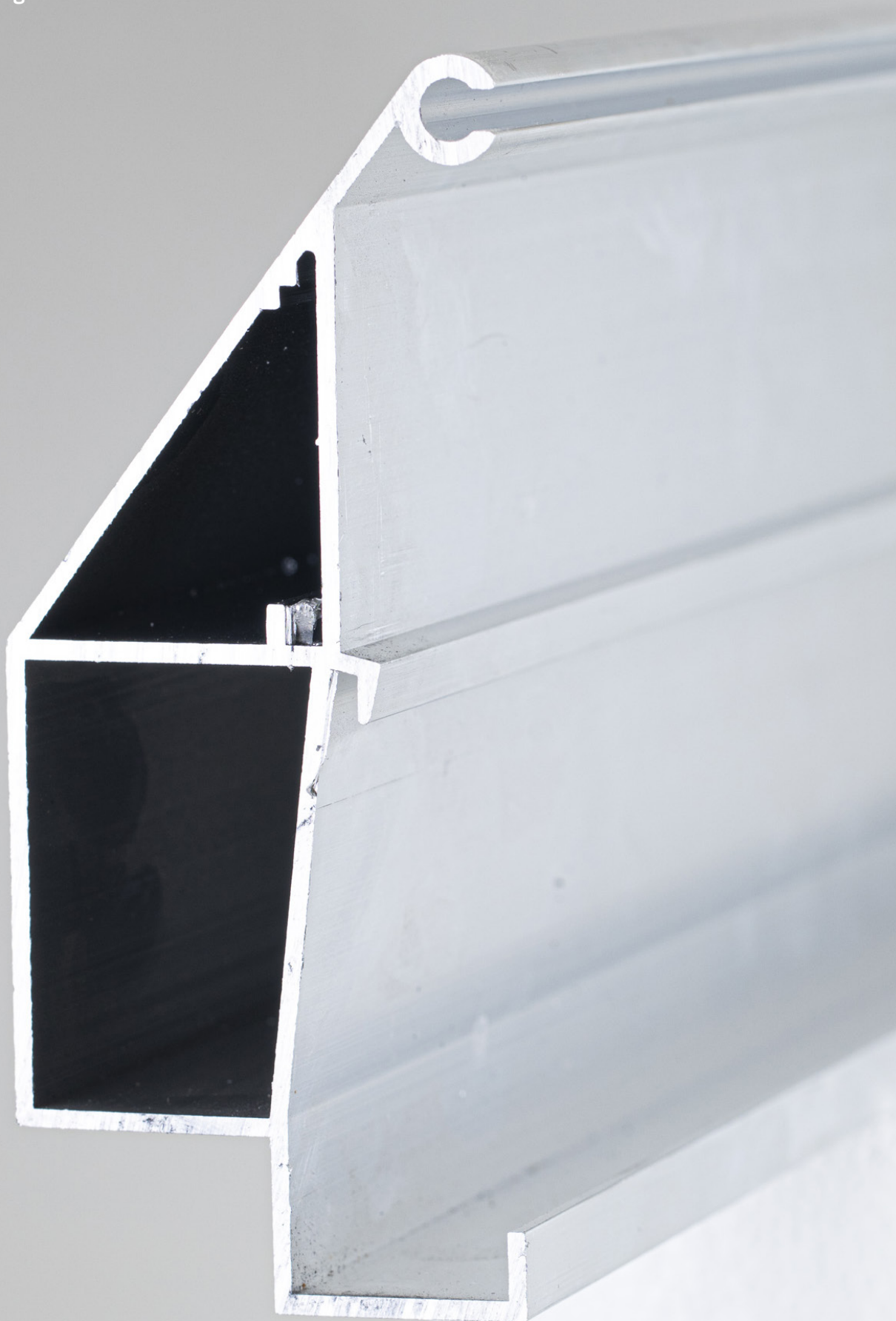


Insertion of Plexiglass plate
or blind panel





Washington Series



PUBBLICITA64

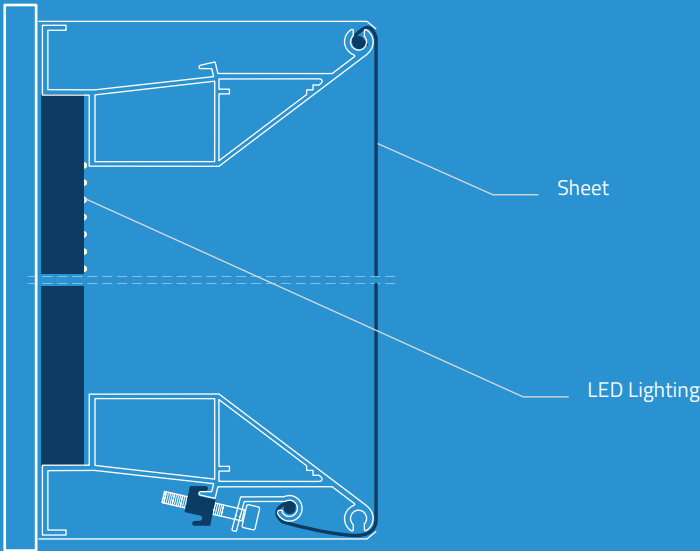
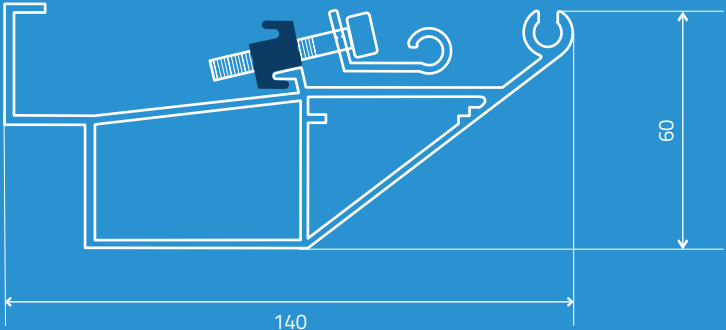
Washington140 Single-sided

Extruded aluminium profile for PVC sheet tensioning with special accessories. Ideal for large, single-sided light boxes.

Available colour:

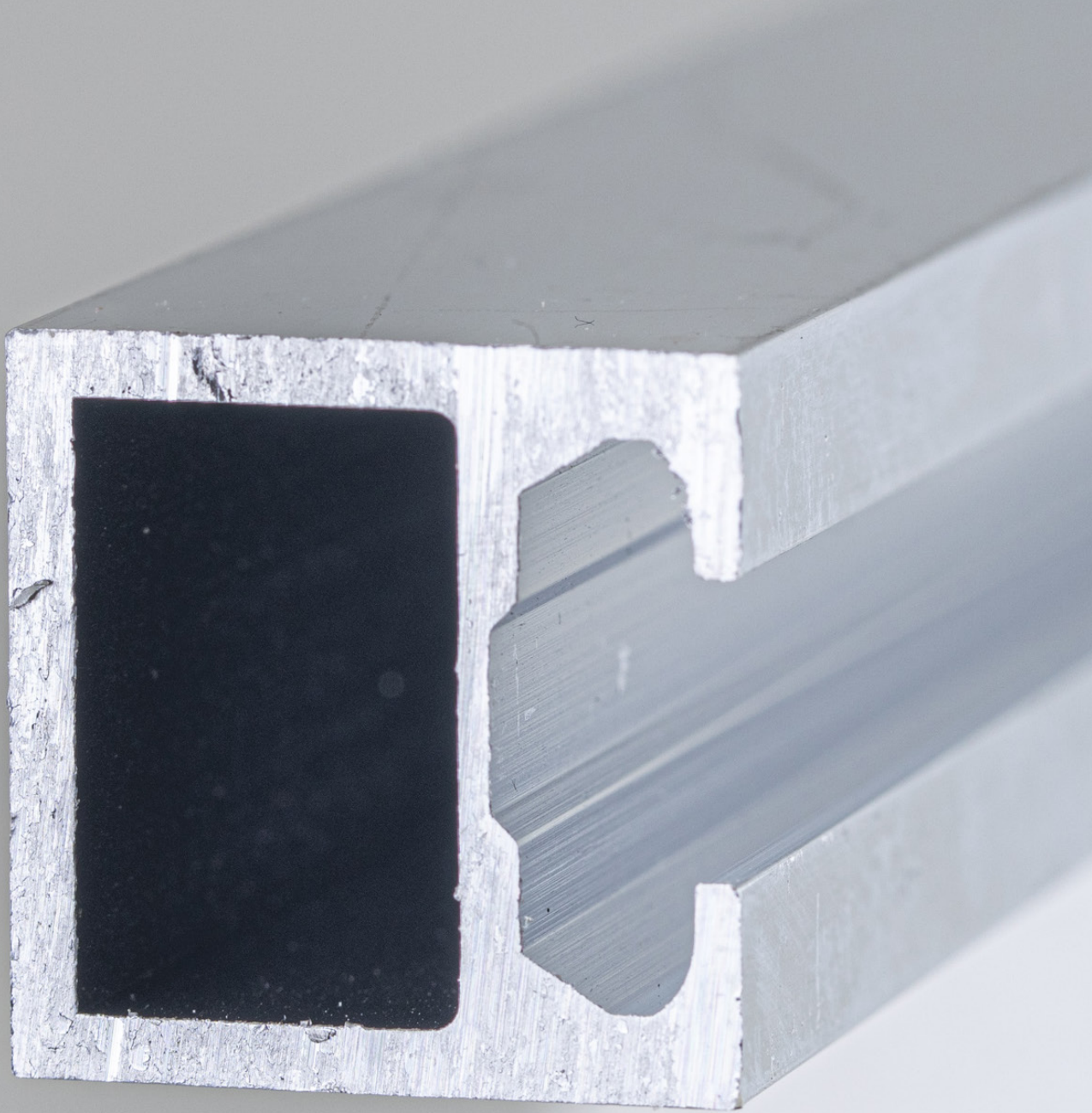


RAL 9006





Tirana Series



Tirana Single-sided

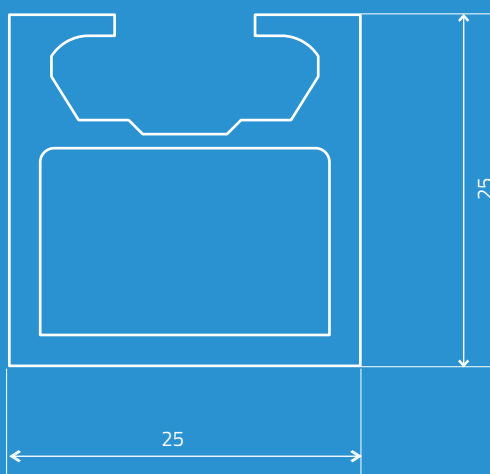
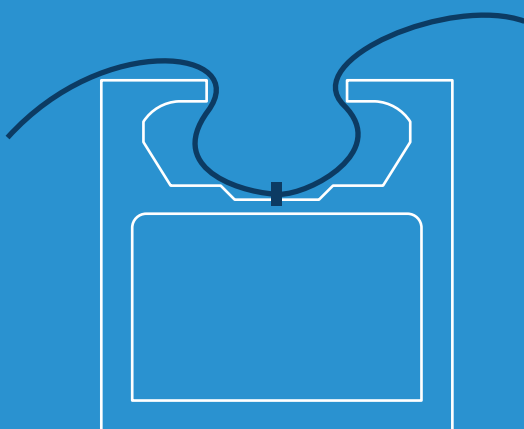
Extruded aluminium profile for tensioning with PVC sheet with staples. Ideal for large, single-sided light boxes.

It is used to create structure of any shape.

Available colour:

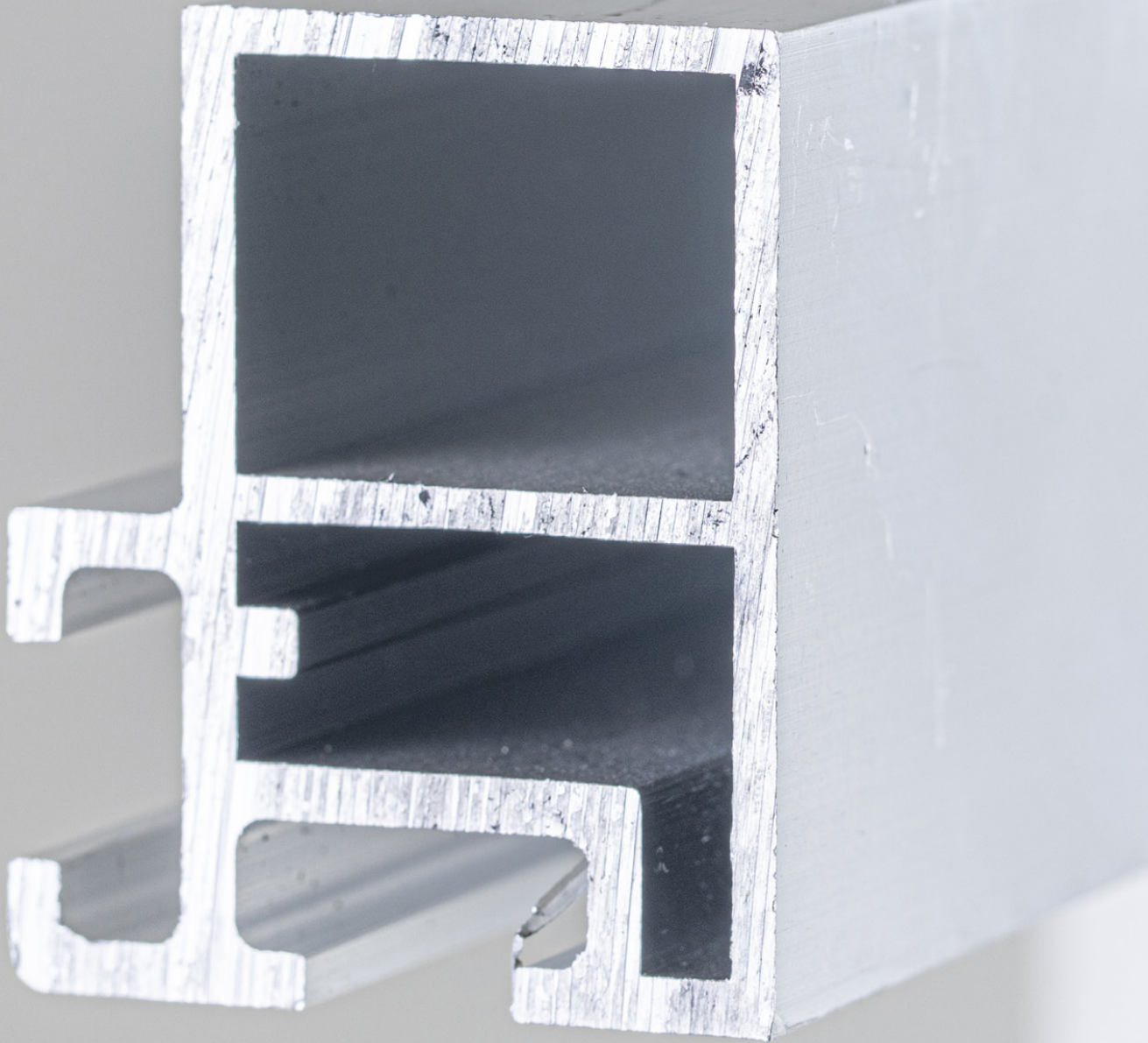


RAL 9006





Atene Series



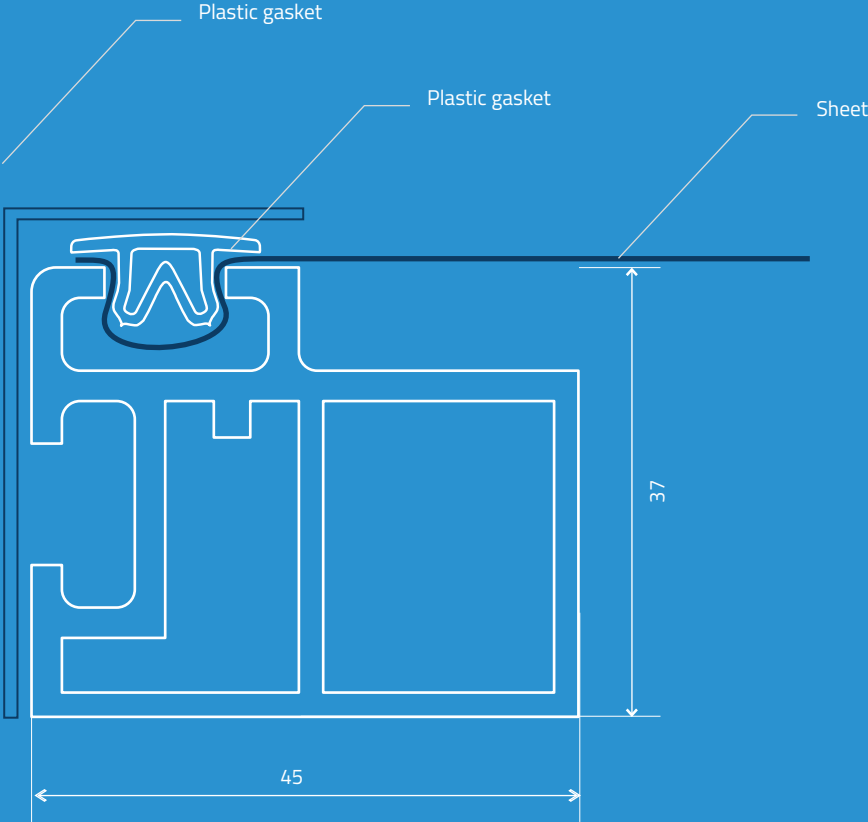
Atene Single-sided

Extruded aluminium profile for PVC sheet tensioning with dedicated gaskets. Ideal for large, single-sided non-luminous boxes.

Available colour:



RAL 9006



Accessories



A10
Plastic gasket



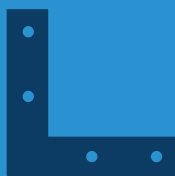
A20
Canvas fixing clip with
threaded hole and screw



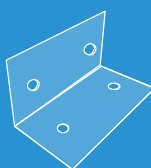
A30
Sheet tensioning
profile



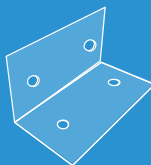
A40
Linear join plate



A50
Join bracket 45°



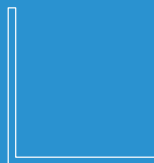
A60
Profile bracket



A70
Profile bracket



A80
Angular profile
mm = 20x20



A90
Angular profile
mm = 50x50



A 100
Perimeter edge

WHOLE ALUMINIUM BARS 6,000 MM

20 x 10 x 2 x 6000

15 x 15 x 2 x 6000

20 x 20 x 2 x 6000

25 x 25 x 2 x 6000

30 x 30 x 2 x 6000

35 x 35 x 2 x 6000

40 x 40 x 2 x 6000

50 x 50 x 2 x 6000

40 x 10 x 2 x 6000

40 x 20 x 2 x 6000

50 x 25 x 2 x 6000

60 x 60 x 2 x 6000



Pubblicità 64 Srl
Via Camillo Golgi, 27
25064 Gussago BS

info@pubblicita64.com
+39 030 312771