

SELF PRIMING ENGINE DRIVEN PUMPS

RB416 EASY

ROBUSTA
Hydraulic System

VIESSE

POMPE • ITALIA



The self priming pumps "Robusta", are designed to comply to the hardest and heavy duty applications, such as: building, emergency and industrial sectors. The open-blade double-curvature impeller, unique across the world, ensures a superior priming ability voiding the need of a foot valve installation. The high thickness of the pump body and of the impeller blades, allow the handling of more abrasive fluids and large passage of solids.

FEATURES

- ✓ Made in Anticorodal Aluminium construction, suitable for marine applications and with modular body design.
- ✓ Armored Volute assembled without any internal screws, it is interchangeable, made in tempered aluminium and abrasion resistant.
- ✓ Open blades impeller in Aluminium material of construction, abrasion resistant with wide solids passage.
- ✓ Mechanical seal in high resistance hard metal.
- ✓ Normalized flanged inlets/outlets
- ✓ Wide inspection window for internal deep cleaning and maintenance.
- ✓ Wide hatches for internal inspection.
- ✓ Motor with built in tank and pump, are assembled on a light tubular base frame, equipped with lifting handles for transportation.

VERSIONS

Code	RB416BALKH44+G
PUMP	
RPM	3000
P MAX pump (kW)	8.3
Q MAX (m³/h)	160
H MAX (m)	24
Ø Inlet/outlet DN (mm - ")	100 (4")
Ø Impeller (mm)	148
Free solids passage MAX size (mm)	50 x 30
ENGINE DRIVEN	
Brand	Lombardini - Kohler CH440
N. cylinders	1
Displacement (cc)	429
Motor power - MAX (kW)	10.5
Cooling	Air
Fuel	Petrol
Starting system	Recoil
PUMP SET UP AVAILABLE	
Coupling versions	Direct / Monobloc
Tank capacity (L)	70
Total weight (kg) **	85
Tubular light weight carrying frame	✓

** Empty tank.

STANDARD MATERIAL OF CONSTRUCTION

Pump body	Anticorodal Aluminium
Armored volute	Self-hardening Aluminium
Open-blade impeller	Self-hardening Aluminium
Mechanical Seal	Silicon Carbide / Viton®
Shaft	Steel C40
Elastomers	Nitrile

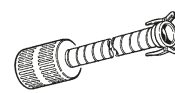
Special metallurgies available on demand.

OPTIONAL ACCESSORIES

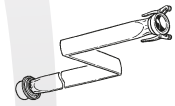
Flanged rapid coupling



Suction hose with coupling and strainer



Delivery flexible hose with couplings

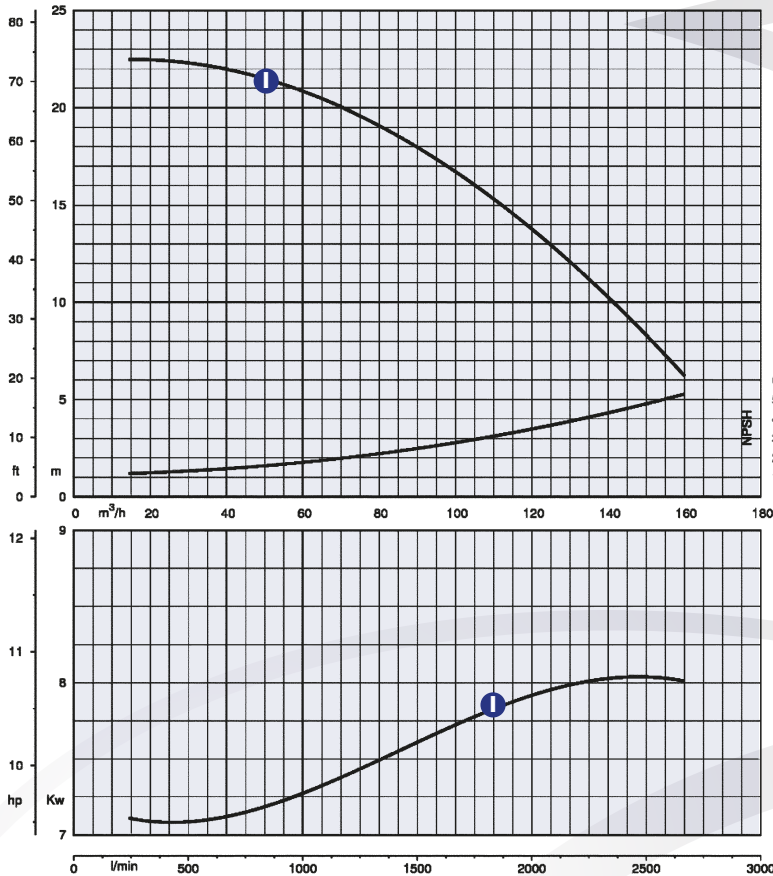


SELF PRIMING ENGINE DRIVEN PUMPS

RB416 EASY

ROBUSTA
Hydraulic System

VIESSE
POMPE • ITALIA

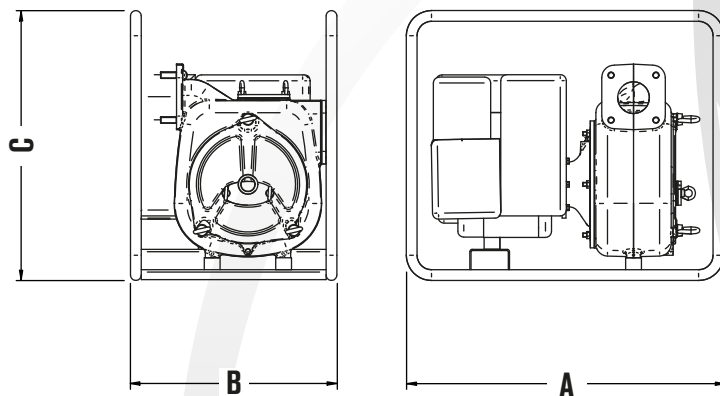


RB 416 revision: 11-04-07

PUMP PERFORMANCE RANGE

I RB416BALKH44+G

Performances are subjected to variations based on NPSH available.



DIMENSIONS mm

	A	B	C
Version +G	800	600	700

All dimensions and data a.m. reported are indicative, not binding and subjected to modifications without notice.s