

SELF PRIMING ENGINE DRIVEN PUMPS

RB831 (...2/2)



POMPE • ITALIA



The self priming pumps "Robusta", are designed to comply to the hardest and heavy duty applications, such as: building, emergency and industrial sectors.

The open-blade double-curvature impeller, unique across the world, ensures a superior priming ability voiding the need of a foot valve installation. The high thickness of the pump body and of the impeller blades, allow the handling of more abrasive fluids and large passage of solids.

FEATURES

- ✓ EN-JL1030 cast iron construction according to UNI EN 1561 with modular body.
- ✓ Replaceable screw-less armoured internal volute in EN-JS1030 nodular cast iron according to UNI EN 1563.
- ✓ Mechanical seal in high resistance hard metal.
- ✓ Large-size inspection hatches to facilitate cleaning and inspection.
- ✓ Standardised EN1092-1:2003 flanged inlet and outlet with built in threaded rod.
- ✓ Rapid self-priming up to 8 meters in vertical position.

VERSIONS

Code	RB831BGKD19+TT	RB831AGKD25+TT
PUMP		
RPM	1700	1700
P MAX pump (kW)	35	48
Q MAX (m³/h)	600	700
H MAX (m)	25	35
Ø Inlet/outlet DN (mm - ")	200 (8")	200 (8")
Ø Impeller (mm)	270	300
Free solids passage MAX size (mm)	78 x 75	78 x 75

ENGINE

	Kohler KDI 1903 TCR	Kohler KDI 2504 TCR
Model	Kohler KDI 1903 TCR	Kohler KDI 2504 TCR
N. cylinders	3	4
Displacement (cc)	1861	2482
Motor power - MAX (kW)	42	55.4
Cooling	Water	Water
Fuel	Diesel	Diesel
Starting system	Electric	Electric
Emissions standard	Stage V	Stage V

PUMP SET UP AVAILABLE

	Direct / Monobloc	Direct / Monobloc
Coupling versions	Direct / Monobloc	Direct / Monobloc
Tank capacity (L)	160	160
Total weight version +TT (kg) *	840	900
Base frame (+B) / Simple trailer (+T)	-	-
Base tank (+BT) / Tank trailer (+TT)	✓ / ✓	✓ / ✓

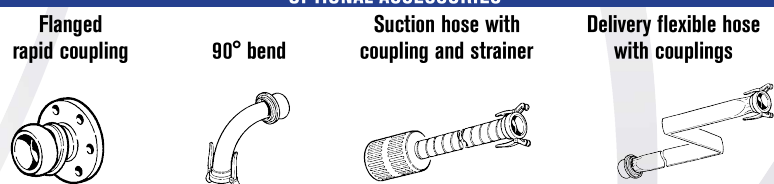
* Empty tank.

STANDARD MATERIAL OF CONSTRUCTION

Pump body	Cast Iron GJL250
Armoured volute	Nodular cast iron GJS400
Open-blade impeller	Nodular cast iron GJS400
Mechanical Seal	Silicon Carbide / Viton®
Shaft	Steel C40
Elastomers	Nitrile

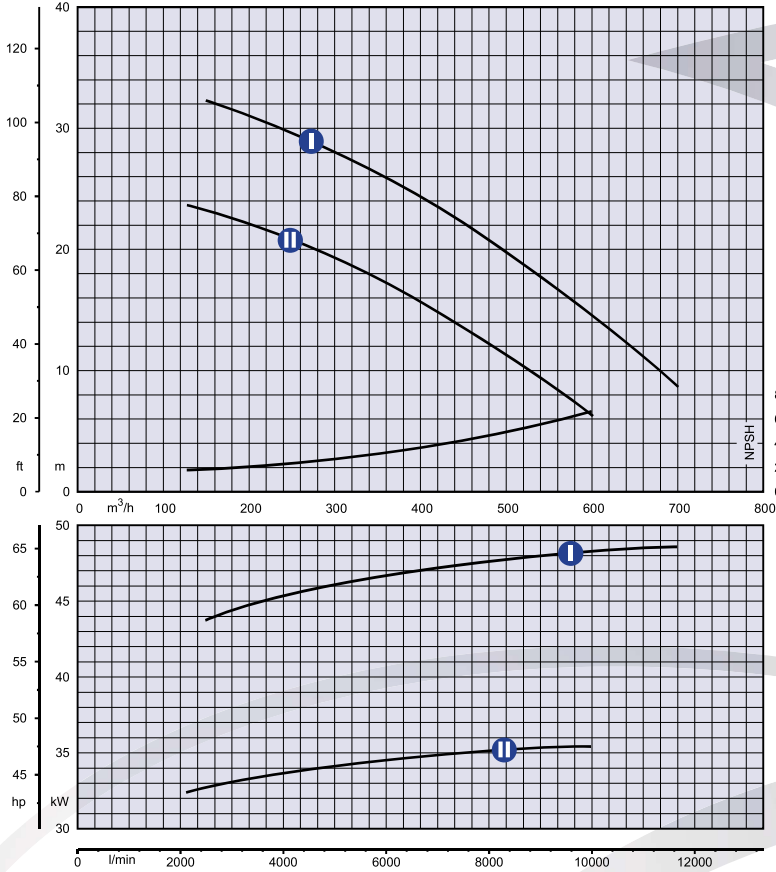
Special metallurgies available on demand.

OPTIONAL ACCESSORIES



SELF PRIMING ENGINE DRIVEN PUMPS

RB831 (...2/2)



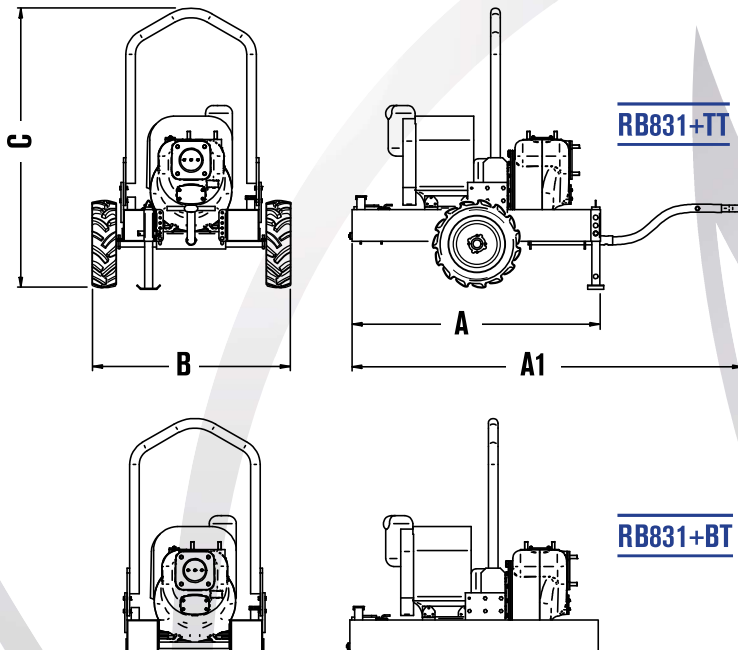
PUMP PERFORMANCE RANGE

I **RB831AGKD25+TT**

II **RB831BGKD19+TT**

Performances are subjected to variations based on NPSH available.

DIMENSIONS mm



A A1 B C

Version +TT

2200 3400 1600 1600

All dimensions and data a.m. reported are indicative, not binding and subjected to modifications without notice.