

The Power of Demolition



Italiademolitori srl



Italiademolitori srl

The Power of Demolition



The Power of Demolition



CRUSHER BUCKETS

Made In Italy



About italdem:

Italiademolitori srl is the manufacturer of *italdem* products one of the most well known brands of hydraulic hammers and one of the market leaders not only in Italy but also in many countries around the world. The current position is the result of **30 YEARS OF EXPERIENCE.**



About **italdem**:

- *italdem* brand name include a comprehensive range of hydraulic hammers and other excavator attachments for excavators from 0,9 tons to 65 tons.
- The production facilities in Bari/Italy are equipped with high quality standard machine tools, a skilled and experienced work force as well as and constant and all-over quality control which has led to the ISO 9001 quality certification since 1999.



Italdem Crusher Bucket

- *italdem*'s revolutionary new crushing method which requires no more expensive crushing plants. An excavator mounted bucket, big enough to include a small jaw crusher, driven hydraulically like any other hydraulic attachment.
- Two models are available: a 3,5 ton crusher bucket GF 35 for 20 to 25 ton excavator and a 4,5 ton crusher bucket for bigger excavators.



Advantages...

- Offers the possibility of crushing the material easily on site without great investments, The crushed material can be easily transported to other job sites or used immediately on site for filling purposes..
- Easy mounting on the excavator by means of the hydraulic hammer circuit.
- Can handle all type of materials: stone, concrete, asphalt, mine and quarry waste.
- Built for heavy-duty applications.



Guaranteed Quality..

- Manufactured with the highest level of quality materials according to the European Machinery Directive 89/392 using high quality anti-abrasive steel material quality is TE 510 B.
- The teeth and jaw made from a special steel called manganese, that is resistant to wearing and impacts.
- An eccentric shaft is being moved by a flywheel which is connected by means of several belts to a pulley of a hydraulic motor. The eccentric shaft moves a mobile jaw



Ready to work for all types of Crushing work..

- The materials that can be crushed should have an average hardness of $500\text{kg} / \text{cm}^2$ and the maximum dimensions should be 700×500 mm. the crushed size is $30 \div 150$ mm.
- Crushed material per hour = $16 \div 25 \text{ m}^3$ depending on size, type and load of crushed material.



Video of the Machine working:

Please click on this link ..

- http://www.youtube.com/watch?v=cqmdz_FNUuo



Technical Details:

- it • Le benne frantumatrici **ITALIADEMOLITORI GF** sono un mezzo indispensabile per la macinazione in loco del materiale demolito, così da eliminare i costi di trasporto per lo smaltimento.
- gb • **ITALIADEMOLITORI GF** series of crusher buckets are being used for on-site crushing of quarry and demolition material, a perfect tool for any recycling job.



- Benna Frantumatrice
- Crusher Bucket



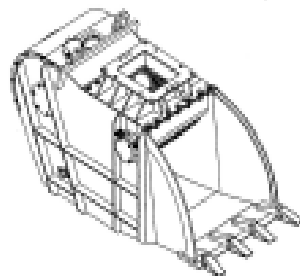
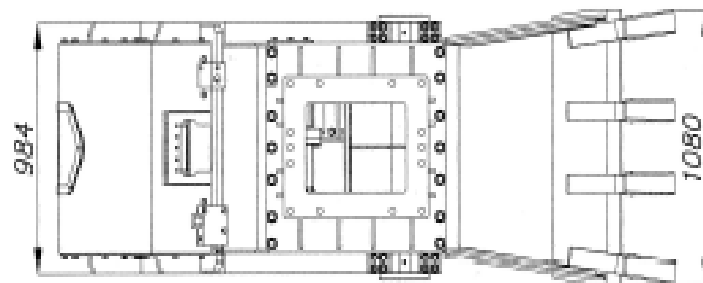
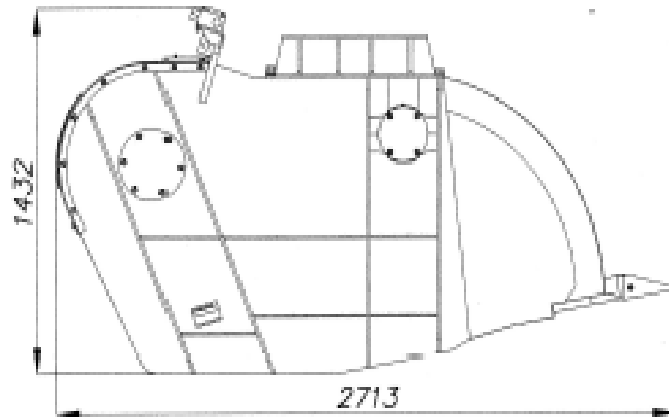
it	gb	GF35	GF45
Peso operativo	Weight	3500 kg	4500 kg
Altezza	Height	1432 mm	1478 mm
Larghezza	Width	1080 mm	1424 mm
Lunghezza	Length	2713 mm	2775 mm
Apertura bocca	Feeder dimensions	800x700 mm	900x700 mm
Apertura mascella	Output size	30÷150 mm	30÷150 mm
Capacità SAE	SAE volume	0,7 m ³	1 m ³
Peso macchina di utilizzo	Carrier weight	20÷28 ton.	28÷40 ton.
Diámetro int. tubo mandata	Inner diameter HP hose	20 mm	20 mm
Diámetro int. tubo scarico	Inner diameter LP hose	30 mm	30 mm
Attacco mandata	HP thread	1"GAS	1"GAS
Attacco scarico	LP thread	1"GAS	1"GAS
Portata olio	Oil flow	150÷160 l/min.	150÷160 l/min.
Pressione d'esercizio	Working pressure	180÷200 bar	180÷200 bar

GF 35

- The GF 45 crusher bucket can be mounted on excavators from **20 to 28** tons and which is being connected to the hydraulic hammer line.
- The GF 45 crusher bucket has an SAE capacity of $0,7 \text{ m}^3$ and an output ranging from 16 to 25 m^3 .
- Average weight of 1100-1200kg for each $0,7 \text{ m}^3$
- Rocks with hardness up to 500 kg/cm^2 and with a maximum size of $700 \times 500 \text{ mm}$ can be crushed to size varying from approx. 30 to 150 mm.



Technical Drawing GF 35:



WEIGHT AND DIMENSIONS

Operating weight	3500 kg
Height	1432 mm
Width	1080 mm
Length	2713 mm
Feeder	800 x 700 mm
Jaw opening	30 – 150 mm
SAE volume	0,7 m ³

FITTING TO CARRIER

Carrier weight	20 - 28 Ton.
Internal Ø HP line	20 mm
Internal Ø LP line	30 mm

Couplings:

HP line	1" GAS
LP line	1" GAS

SETTINGS

Oil supply	150 160 l/Min
Working pressure	180 - 200 bar

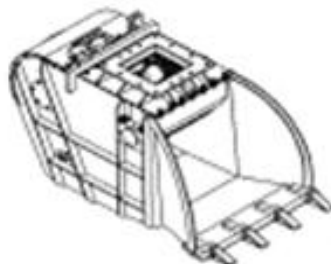
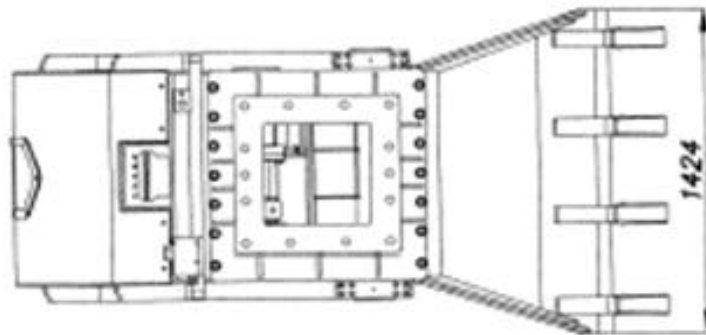
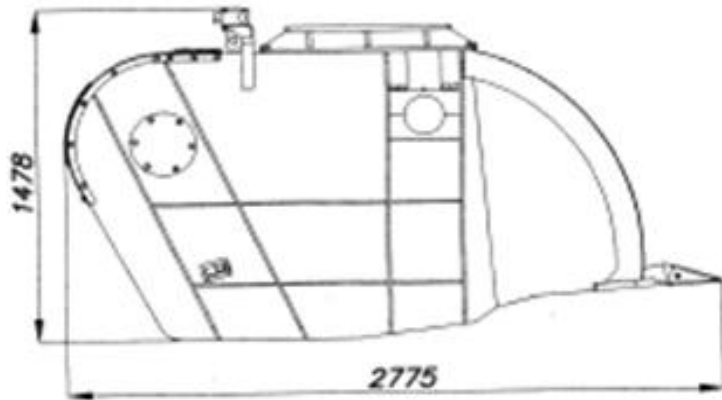


GF 45

- The GF 45 crusher bucket is a jaw crusher which can be mounted on excavators from **28 to 50** tons and which is being connected to the hydraulic hammer line.
- The GF 45 crusher bucket has an SAE capacity of 1 m³ and an output ranging from 20 to 30 m³.
- Average weight of 1300-1400kg for each 1 m³
- Rocks with hardness up to 500 kg/cm² and with a maximum size of 700 x 500 mm can be crushed to size varying from approx. 30 to 150 mm.



Technical Drawing GF 45:



WEIGHT AND DIMENSIONS

Operating weight	4500 kg
Height	1478 mm
Width	1424 mm
Length	277 mm
Feeder	900 x 700 mm
Jaw opening	30 – 150 mm
SAE volume	1.0 m ³

FITTING TO CARRIER

Carrier weight	28 - 50 Ton.
Internal Ø HP line	20 mm
Internal Ø LP line	30 mm
<u>Couplings:</u>	
HP line	1" GAS
LP line	1" GAS

SETTINGS

Oil supply	150 – 160 l/Min
Working pressure	180 - 200 bar



Maintenance..

- Please follow the instruction manuals provided with the machine to ensure maximum durability.
- Must control the wearing parts after every 1500 working hours: side bearings, gaskets belts and springs, we recommend only original Italdem Spare Parts



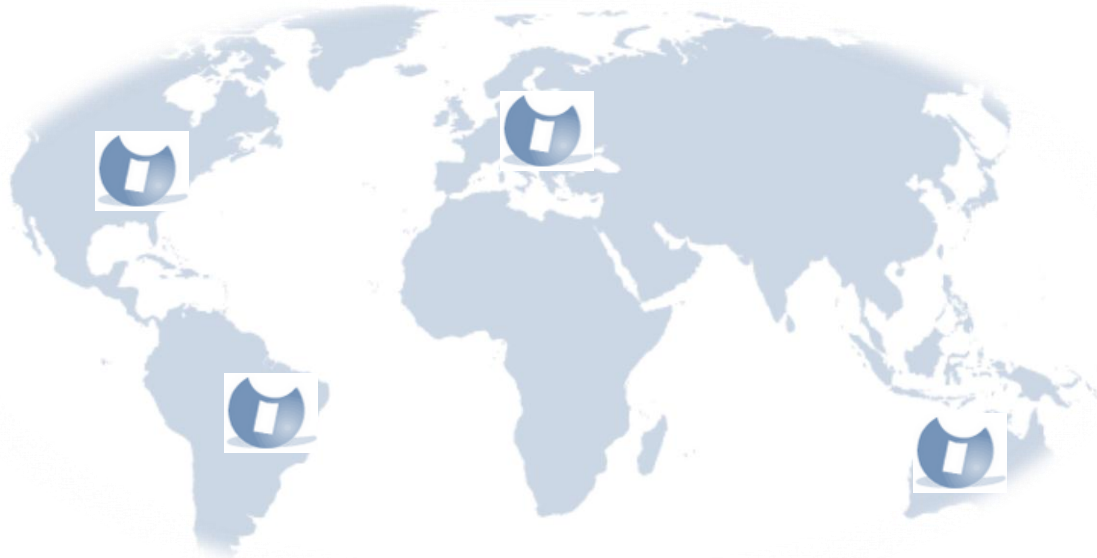
What do we offer..

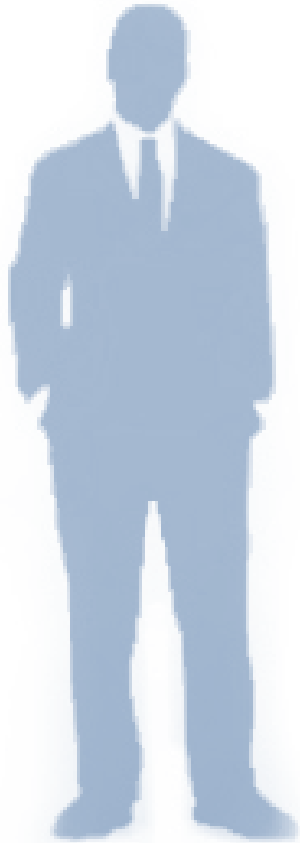
- Great Discounts offers for our dealers and clients with discounts up to 55% on all the products and 50% on the Spare Parts.
- 1 Year Warranty on all of our products from the date of delivery to end user.
- Crusher Can be ready for delivery in 4-5 days from order confirmation.
- Organizing the shipment process with the lowest possible cost.
- Possibility of customization of different color and logo if requested.
- Superior after sales services for our clients with easy communication with our skilled and multilingual team in the sales and export department (Italian, English, Arabic, , French and Spanish).



Our Clients:

We have supplied our Crusher Buckets to wide a range of clients around the world such as “Germany, Poland, Ireland, UK, France, Ukrain, United States and Australia”





Contact us at:

- Email: amru@italdem.com
- Web: www.italdem.net
- Facebook: www.facebook.com/italdem
- Twitter: @Italdem
- Tel: +39 080. 3742444
- Fax:+39 080.3714632

