



## Production of stainless steel manifolds and special pieces for water systems and water supply networks

### About us



Established in 1982, Comag-rho started as distributor of materials for water and gas connections, mainly addressed to **water and gas management authorities and related companies.**

Over the years, our company expanded its presence on the national and foreign markets, becoming the ideal partner of **industrial plant engineering companies and specialized plumbing and heating retailers.**

In addition to the well-established distribution business of cast-iron clamps and stainless-steel connection tees for water and gas, in the last decade we have specialized in the design and production of **custom-made manifolds and special pieces in carbon steel and stainless steel.**

Since 2018 Comag-rho has developed a department for contract works for machining on pipes, specialized and IIS certified welding, for both TIG with possible internal fluxing and MIG manual and automated.

The constant commitment to the quality improvement of our products and organization is certified ISO 9001:2015.

In 2020 we obtained, for the stainless steel 304/316 hydraulic manifolds, **the certificate of suitability for contact with water for human consumption (drinking water), according to DM 174 of 06 April 2004.**

## Sectors

Waterworks	Gas pipeline	Irrigation	Firefighting
Water treatment	HVAC Industry	Industry	Custom-made

## Gallery



**WATER MANIFOLD**



**GAS MANIFOLD**



**IRRIGATION**



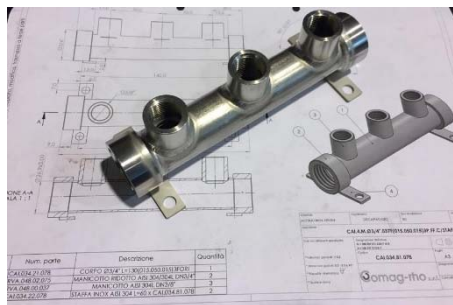
**FIREFIGHTING**



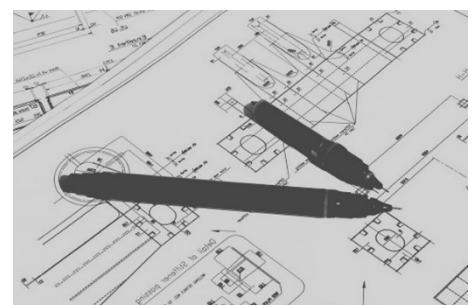
**WATER TREATMENT**



**HVAC INDUSTRY**



**INDUSTRIAL MANIFOLD**



**CUSTOM-MADE**

