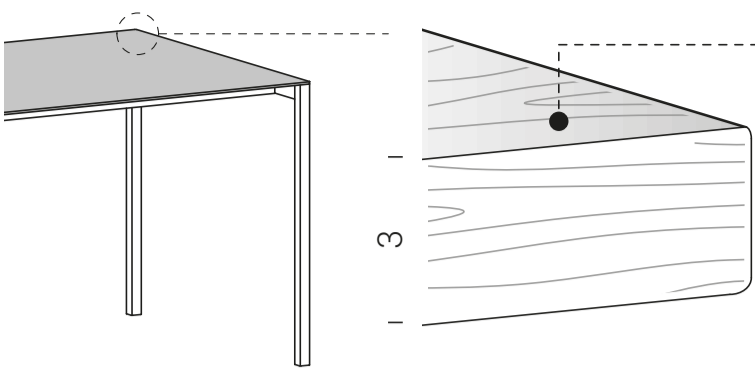


top tavolo / table top / plateaux de table / Tischplatte / plano de mesa



legno massiccio  
solid wood  
bois massif  
Massivholz  
madera maciza



**T01** rovere  
oak



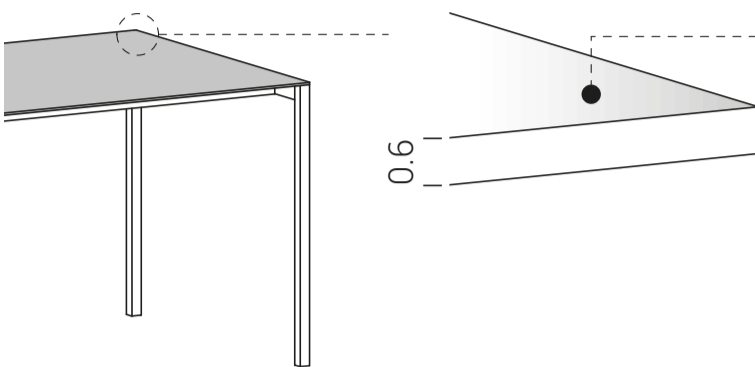
**T02** noce  
walnut



**T03** iroko



**T04** iroko outdoor



HPL



**L03** bianco  
white



Fenix®



**L08** grigio Londra  
London grey



**L06** nero  
black



HPL + legno  
wood  
bois  
Holz  
madera



**Y36** rovere  
oak



**Y34** noce  
walnut



**Y37** rovere affumicato  
smoked oak



**Y39** frassino nero  
black arsh

HPL + metallo  
metal  
métal  
Metall  
metal



**C31** ottone  
brass



**C32** ottone scuro  
dark brass



**C35** inox  
inox



**C36** inox scuro  
dark inox



HPL + ecotouch



**N01** sabbia  
sand



**N02** basalto  
basalt

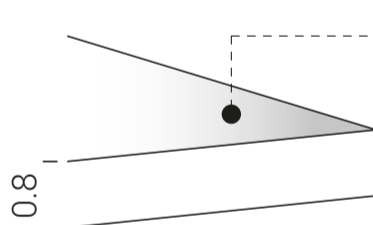
HPL + cemento  
concrete  
ciment  
zement  
cemento



**D01** bianco calce  
lime white



**D02** grigio Portland  
Portland grey



calcestruzzo  
beton  
béton  
Beton  
hormigón



**H01** quarzo  
quartz



**H02** arenaria  
brownstone



**H03** grafite  
graphite



HPL + pietra naturale  
natural stone  
pierre naturelle  
Naturstein  
piedra natural



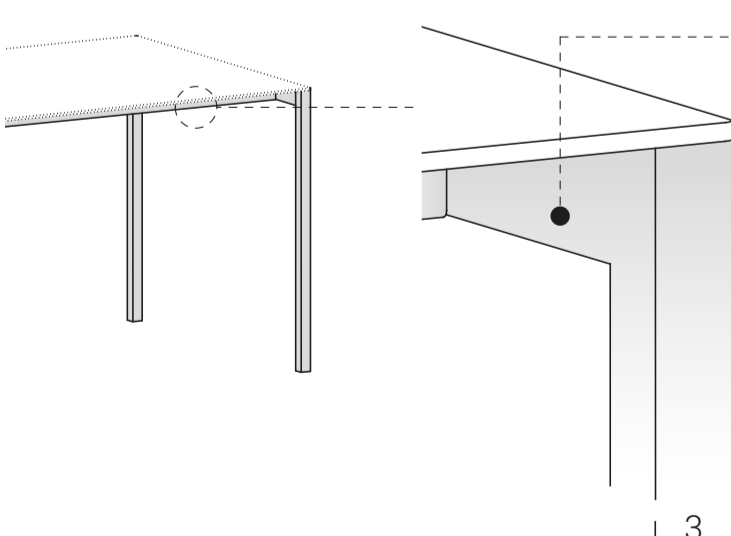
**P01** grigio cenere  
ash grey



**P02** nero ardesia  
slate black



telaio / structure/ châssis / Gestell / bastidor



acciaio verniciato  
painted steel  
acier peint  
lackierter Stahl  
acero pintado



**C12** bianco  
white



**C21** seta  
silk



**C23** corda  
ecru



**C30** ghisa  
cast-iron



**C14** antracite  
anthracite



**C08** nero  
black



**C18** verde  
green



**C26** corten  
corten



**C29** bronzo  
bronze