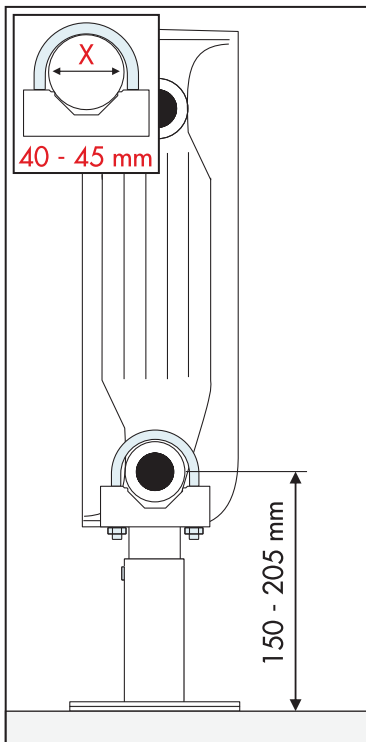
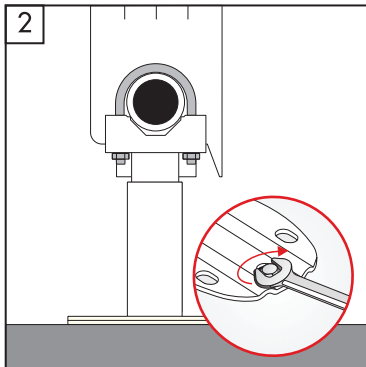
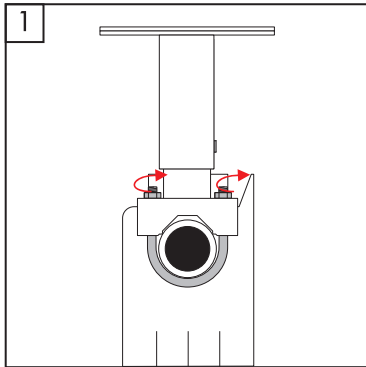


# READY-FOR-USE FLOOR STANDING BRACKETS

## PAL FLOOR BRACKET



CODE

60721544

Set of 2 PAL floor brackets in white, including QKP covers



1



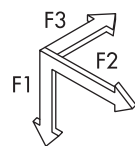
300



N° VA\_MES 15 02 051



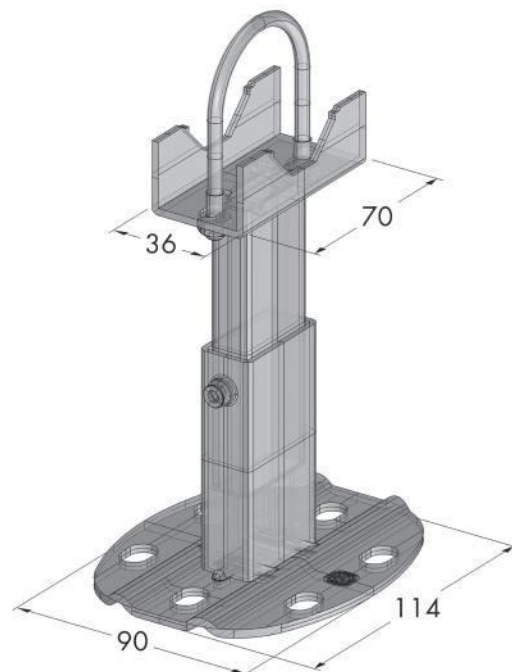
**PAL**  
FOR FINISHED FLOOR



F1 = 2000 N

F2 = 700 N

F3 = 400 N



[mm]

