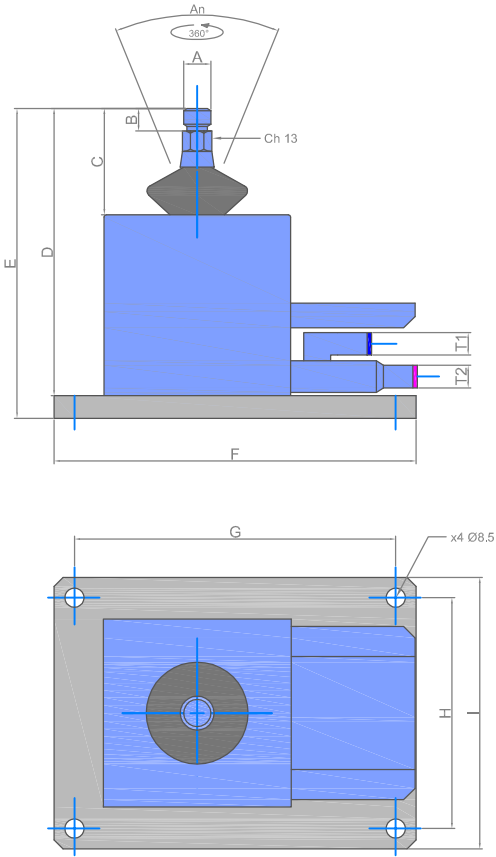


P6S

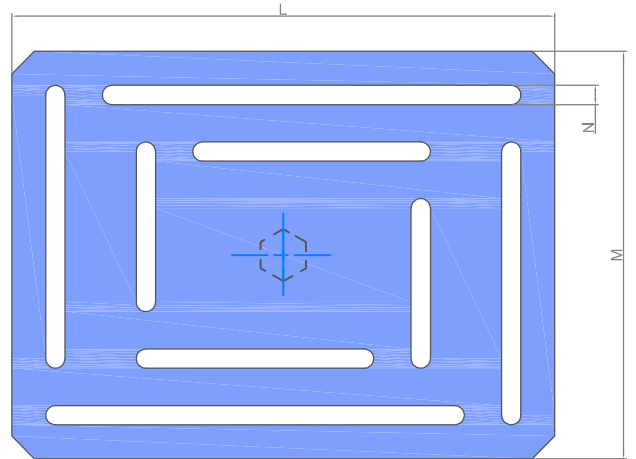
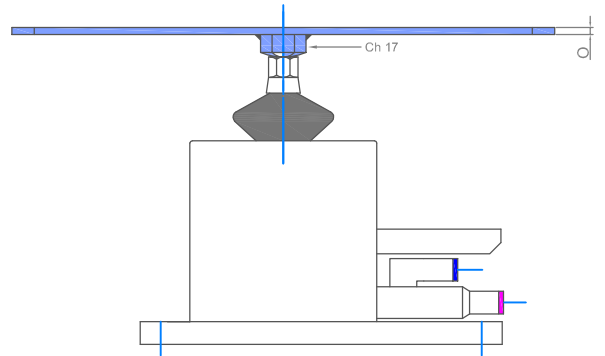


General Dimensions (mm)

A	B	C	D	E	F	G	H	I	T1	T2	An
M12	10	47	125	143	160	142	102	120	Tu 6	Tu 4	70°

Working Pressure : from 4 to 9 bar Max

Working Temperature: -10° +60°C

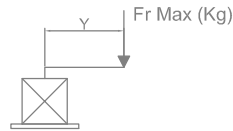


Standard equipment Platform (mm)

L	M	N	O
240	180	8,5	3

Material : AISI 304

Maximun force allowed (Fr) on the Platform when locked



Y(mm)	120		
bar	4	6	8
Fr (Kg)	18	27	34