



CUSTOM

TECHNICAL CHARACTERISTICS

Frame colours

- Anthracite
- Other colours on request

Wind class

- UNI EN 13561: Class 2

Volant

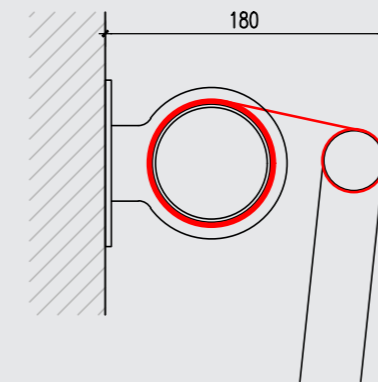
Standard type B (straight) other design available

Specification

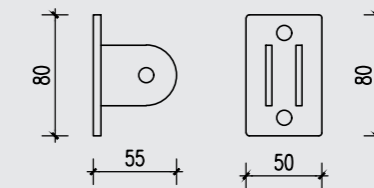
- Arms in steel
- Supports in steel
- Pocket for volant

The starting point of custom awnings. From the basic model every specification is studied according to the project and the needs of the customer

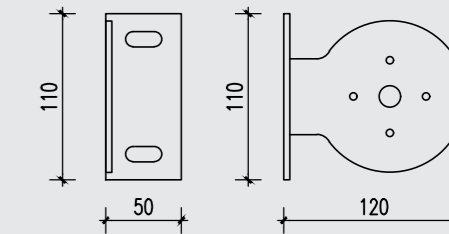
STRUCTURE ENCUMBRANCE and SUPPORTS



Encumbrance

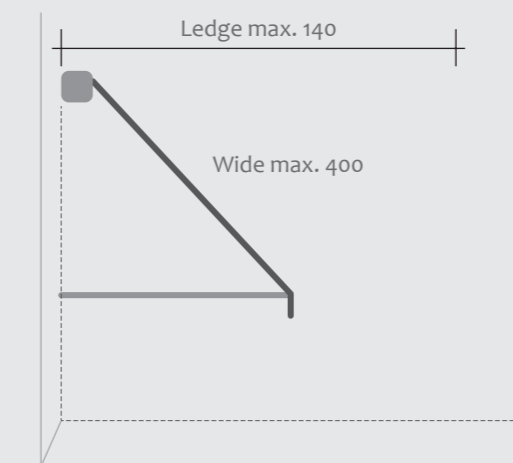


Wall supports



Universal supports

DIMENSION



SUPPLY and INSTALLATION

