



CUSTOM WITH TRACKS

TECHNICAL CHARACTERISTICS

Frame colours

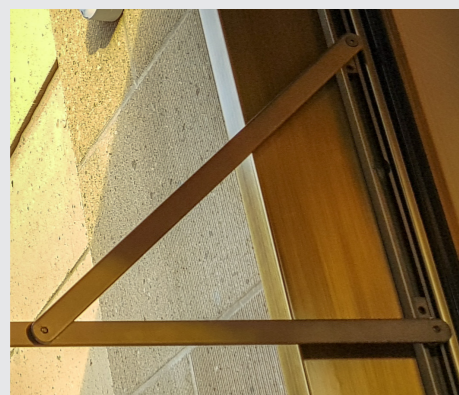
- Anthracite
- Other colours on request

Wind class

- UNI EN 13561: Class 2

Volant

Standard type B (straight) other design available

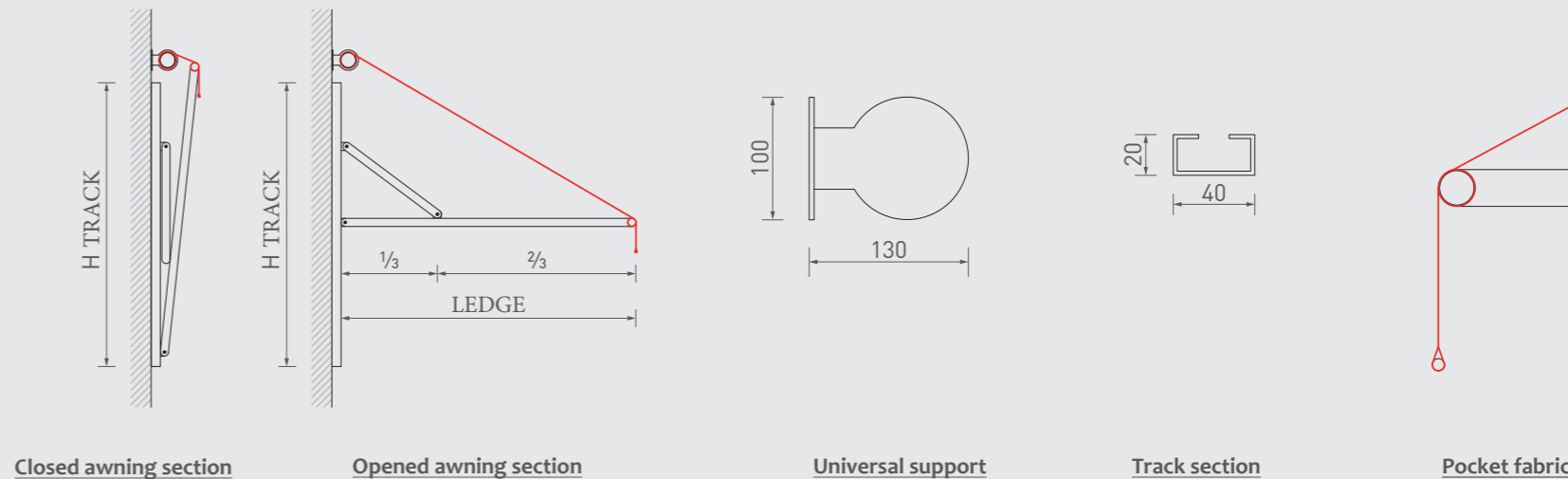


Specifications

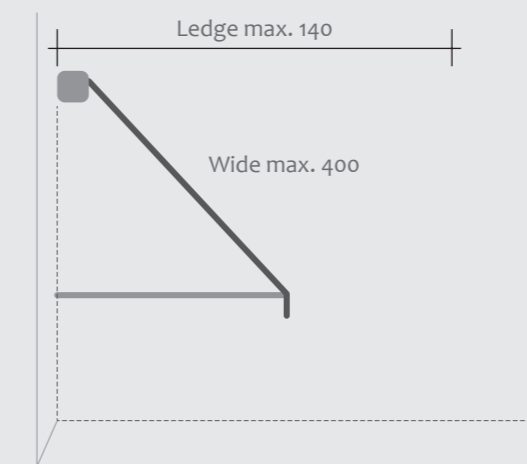
- Braccetti in acciaio a rotazione
- Staffe di ancoraggio in acciaio

In case of space problems in height, the guide system of this version of this model solves them. The guides are designed to form less bulk when the awning is open

STRUCTURE ENCUMBRANCE and SUPPORTS



DIMENSION



SUPPLY and INSTALLATION

