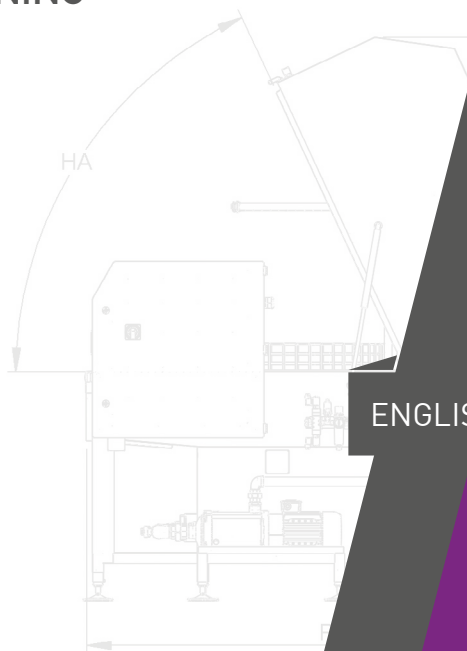
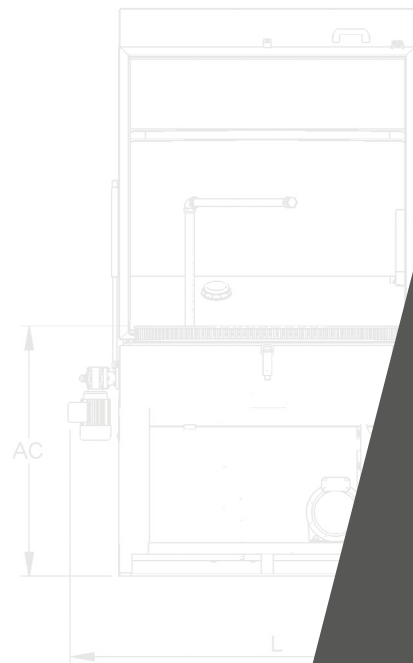


# Teknox

METAL CLEANING  
EVOLUTION



ENGLISH 

HIGH  
QUALITY  
guaranteed  
\*\*\*

HELP  
DESK  


MADE  
IN ITALY

SINCE  
1967

# UNIX LINE



## THE NEW TEKNOX APP

This application wants to be an additional tool that Teknox puts in place to improve and speed up the services and communication with its customers and the sales department.

Thanks to the application are available different services, such as: the form for the request of spare parts, the form for the data collection for new projects, the complete interactive catalogue with images, videos, technical data and much more.

# Teknox

The company, born as SME in 1967, has become over the years the reference point in the field of piece washing.

Today the production includes:

- EQUIPMENT FOR WASHING PARTS IN THE MAINTENANCE DEPARTMENTS
- PLANTS FOR THE SURFACE TREATMENT OF PARTS IN PRODUCTION CYCLE



Car and motorcycle maintenance



Railway



Regeneration



Chemical industry and colour industry



Aerospace



Shipbuilding industry



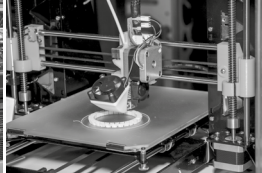
Petrochemistry



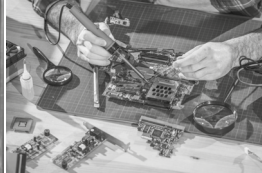
Composite materials



Printing industry



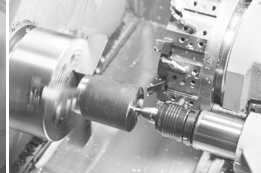
3D printing



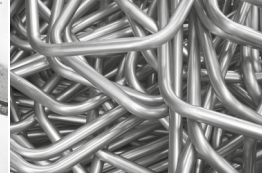
Electronics industry



Prepainting



CNC machining



Tube processing



Sheet metal stamping



Automatic lines



More than **50** years of experience

**6000** sqm of plant

More than **10.000** machines produced

**80+** Countries we export to

More than **40** employees

# UNIX SZD

UNIX IS A SYSTEM IDEAL FOR THE **AUTOMATIC WASHING** OF SMALL AND MEDIUM SIZE MECHANICAL PARTS.

Washing is carried out by the action of upper, lower and side nozzles. The slow rotation of the basket is ensured by a gear motor. A PLC management enables numberless customisations thanks to a wide range of accessories.

The tank with high capacity is separate from the washing chamber, and is on the back side of the machine.



**SPRAY WASHING**



**MOTORIZED ROTATION ON VERTICAL AXIS**



UNIX 100 SZD



## VERSION

- LT (heating up to 60° C)
- HT (heating up to 80° C)



## CONTROL

- PLC with colour touchscreen
- Option Industry 4.0



## NUMBER OF TANKS

- Single tank



## AREAS OF APPLICATION

- Mechanical / Aviation industry
- Surface treatment
- Electronics / Chemicals industry

# UNIX SZD

80

100

120

## TECHNICAL FEATURES

- Timed electric exhaustion of steam
- Hatch closure assisted with gas springs and fastening hook
- Siemens® electric power parts
- 4" color touchscreen display for settings and programs
- Box filter made up of 6 Aisi 304 SS vertical filters for pre-filtration of the liquid flowing back into the tank
- Aisi 304 stainless steel filter in pump intake
- Tank border gasket
- Structure and sheet metal in contact with liquid in Aisi 304 stainless steel
- Minimum level switch
- Safety limit switch on cover opening
- Stainless steel electric pump with special seals

- Weekly programming to start heating and deoiler (if installed)
- IP65 electrical system, management via PLC touchscreen (DGT V4)
- Heating of the liquid with stainless steel electric heating element
- Mechanical rotation of basket via gearmotor
- Internal welding bleaching
- Tanks accessible from the outside
- Stainless steel bottom section load-bearing structure
- Aisi 304 stainless steel washing pipelines with professional stainless steel flat nozzles
- Drain valves for emptying tanks
- Manual water filling valve

## HT VERSION

- Heat insulation with Aisi 430 stainless steel panels
- Safety limit switch with cover opening lock during cycles
- Panels under basket with grease and solids collection sump filters

# AUTOMATIC WASHING

TECHNICAL DATA	U 80 SZD	U 100 SZD	U 120 SZD
Load capacity	100 kg	200 kg	300 kg
Tank 1 capacity	230 lt	280 lt	330 lt
Pump 1	0,55 kW 2,5 bar 200 lt/min	1,5 kW 2,5 bar 200 lt/min	1,5 kW 2,5 bar 250 lt/min
High pressure pump 1	2,2 kW 6 bar 200 lt/min	3 kW 6 bar 250 lt/min	3 kW 6 bar 300 lt/min
Heating tank 1	6 kW	8 kW	12 kW
Motor for parts rotation	0,09 kW	0,09 kW	0,09 kW
Steam exhauster	0,25 kw 320 Nmc/h	0,25 kw 320 Nmc/h	0,25 kw 320 Nmc/h
Disk oil separator	0,09 kW	0,09 kW	0,09 kW
Compressed air blowing	105 Nmc/h @ 4 bar	130 Nmc/h @ 4 bar	150 Nmc/h @ 4 bar
Steam condenser	0,20 kW	0,20 kW	0,20 kW
Tank emptying pump	0,37 kW	0,37 kW	0,37 kW
Drying	4,5 kW	4,5 kW	4,5 kW
Power supply	Three-phase	Three-phase	Three-phase

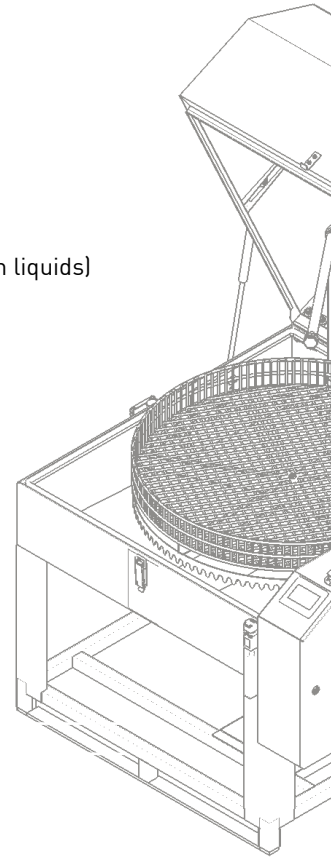
## ACCESSORIES

- Maximum liquid level control in tank 1 and filling solenoid valve
- Compressed air blowing
- Hot air drying with resistor and air blade side channel blower
- Demineralizer with mixed resins and conductivity meter
- Pneumatic cover opening and closing with two-hand safety control unit
- Centrifugal steam condenser S mobile version
- Two-hands control for basket rotation with opened lid
- Stainless steel Aisi 304 external trolley with drops-catcher, wheels and safety brakes [C]
- Additional basket/platform in stainless steel
- Stainless steel Aisi 304 additional external trolley
- Automatic liquid detergent dispenser, installed in bath 1
- Disc oil separator with dedicated motorization
- External pneumatic oil separator
- Bag filter in stainless steel, installed in the bath 1
- Magnetic spark plug for bag filter for ferrite powder
- Idle lower rotating group in stainless steel
- Idle upper rotating group in stainless steel [C]
- Device for remote connection and remote support for HMI Weintek

- Kit for Industry 4.0 for HMI Weintek
- Manual washing and blowing with hoses and washing nozzle
- 80 bar manual washing and blowing with hoses and washing nozzle (both for LT or for HT available)
- Kit for use with abrasive contaminants in the washing liquid
- Stainless steel fittings and valves kit ( for parts that are in contact with liquids)
- PLC Siemens® S7 1200 - HMI touchscreen Weintek
- High pressure washing pump
- Stainless steel Aisi 304 retention tank with drip-catcher
- Upper ramp fastened to the cover
- Nebulized rinse from water mains, draining into the washing tank
- Emptying pump
- Signal tower for indicating system status
- Pipes with blade-nozzle in stainless steel 1/8"
- Workpieces positioning /clamping pallet

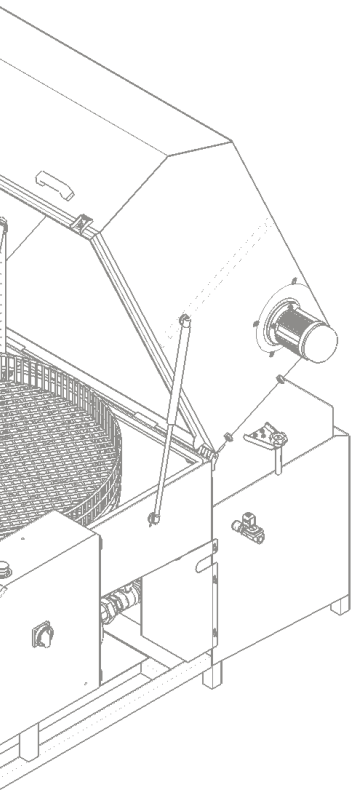
### ACCESSORIES NOTES LEGEND

C: the useful washing height is reduced by 130 mm



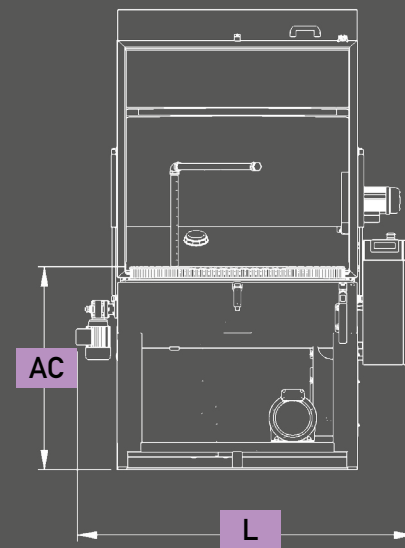
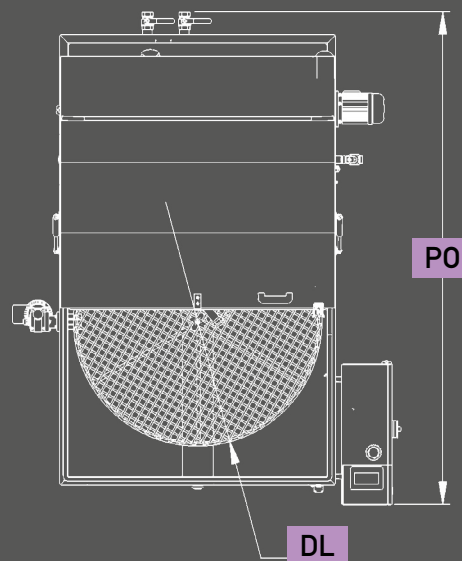
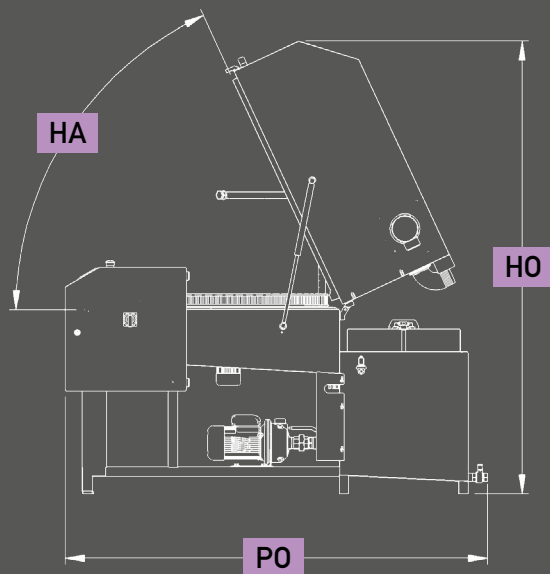
CONNECTIONS	U 80 SZD	U 100 SZD	U 120 SZD
Steam extraction	Ø80 mm	Ø80 mm	Ø80 mm
Tank liquid drain	F 1"	F 1"	F 1"
Water filling solenoid valve	F 1/2"	F 1/2"	F 1/2"
Deoiling oil drain	M 1/2"	M 1/2"	M 1/2"
Compressed air intake	F 1/4"	F 1/4"	F 1/4"
Compressed air blower solenoid valve	F 1"	F 1"	F 1"
Emptying pump	F 1"	F 1"	F 1"
Cabin vent outlet	Ø75 mm	Ø75 mm	Ø75 mm

UNIX **SZD**



DIMENSIONS AND LAYOUT		U 80 SZD	U 100 SZD	U 120 SZD
L	width	125 cm	142 cm	157 cm
PO	depth with opened machine	173 cm	190 cm	205 cm
HO	height with opened machine	192 cm	210 cm	230 cm
DL	working diameter	78 cm	97 cm	117 cm
HL	washing height	54 cm	54 cm	70 cm
AC	loading height	81 cm	81 cm	81 cm
HA	opening angle	60°	60°	60°
W	weight	150 Kg	250 Kg	350 Kg
RU	noise LT	75 dBa	75 dBa	75 dBa
RU_HT	noise HT	70 dBa	70 dBa	70 dBa

## DIMENSIONS AND LAYOUT



# UNIX 2B

UNIX IS A SYSTEM IDEAL FOR THE **AUTOMATIC WASHING** OF SMALL AND MEDIUM SIZE MECHANICAL PARTS.

Washing is carried out by the action of upper, lower and side nozzles. The slow rotation of the basket is ensured by a gear motor. A PLC management enables numberless customisations thanks to a wide range of accessories.

In this configuration, parts washers have two separate tanks and carry out both washing and rinsing.



**SPRAY WASHING**



**MOTORIZED ROTATION ON VERTICAL AXIS**



UNIX 100 2B



## VERSION

- LT (heating up to 60° C)
- HT (heating up to 80° C)



## CONTROL

- PLC with colour touchscreen
- Option Industry 4.0



## NUMBER OF TANKS

- 2 tanks



## AREAS OF APPLICATION

- Mechanical / Aviation industry
- Surface treatment
- Electronics / Chemicals industry

# UNIX 2B

80

100

120



## TECHNICAL FEATURES

- Timed electric exhaustion of steam
- Hatch closure assisted with gas springs and fastening hook
- Siemens® electric power parts
- 4" color touchscreen display for settings and programs
- Box filter made up of 6 Aisi 304 SS vertical filters for pre-filtration of the liquid flowing back into the tank
- Aisi 304 stainless steel filter in pump intake
- Tank border gasket
- Structure and sheet metal in contact with liquid in Aisi 304 stainless steel
- Minimum level switch
- Safety limit switch on cover opening
- Aisi 304 stainless steel electric pump with special seals
- Weekly programming to start heating and deoiler (if installed)
- IP65 electrical system, management via PLC touchscreen (DGT V4)
- Heating of the liquid with stainless steel electric heating element
- Mechanical rotation of basket via gearmotor
- Internal welding bleaching
- Tanks accessible from the outside
- Stainless steel bottom section load-bearing structure
- Aisi 304 stainless steel washing pipelines with professional stainless steel flat nozzles
- Drain valves for emptying tanks
- Manual water filling valve

## HT VERSION

- Heat insulation with Aisi 430 stainless steel panels
- Safety limit switch with cover opening lock during cycles
- Panels under basket with grease and solids collection sump filters

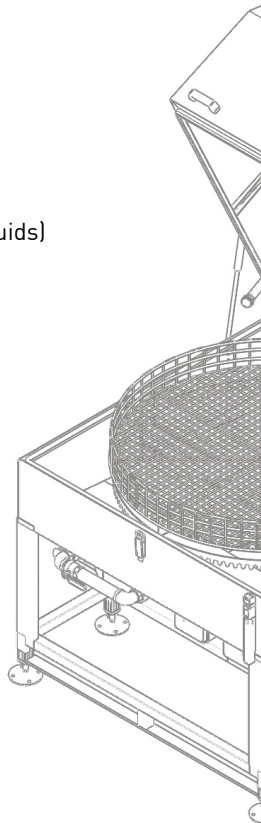
# AUTOMATIC WASHING

TECHNICAL DATA	U 80 2B	U 100 2B	U 120 2B
Load capacity	100 kg	200 kg	300 kg
Tank 1 capacity	240 lt	270 lt	350 lt
Tank 2 capacity	180 lt	270 lt	350 lt
Pump 1	0,55 kW 2,5 bar 200 lt/min	1,5 kW 2,5 bar 200 lt/min	1,5 kW 2,5 bar 250 lt/min
High pressure pump 1	2,2 kW 6 bar 200 lt/min	3 kW 6 bar 250 lt/min	3 kW 6 bar 300 lt/min
Pump 2	0,55 kW 2,5 bar 200 lt/min	0,55 kW 2,5 bar 200 lt/min	0,55 kW 2,5 bar 200 lt/min
Heating tank 1	8 kW	8 kW	10 kW
Heating tank 2	6 kW	8 kW	10 kW
Motor for parts rotation	0,09 kW	0,09 kW	0,09 kW
Steam exhauster	0,25 kw 320 Nmc/h	0,25 kw 320 Nmc/h	0,25 kw 320 Nmc/h
Disk oil separator	0,09 kW	0,09 kW	0,09 kW
Compressed air blowing	105 Nmc/h @ 4 bar	130 Nmc/h @ 4 bar	150 Nmc/h @ 4 bar
Steam condenser	0,20 kW	0,20 kW	0,20 kW
Tank emptying pump	0,37 kW	0,37 kW	0,37 kW
Drying	4,5 kW	4,5 kW	4,5 kW
Power supply	Three-phase	Three-phase	Three-phase

## ACCESSORIES

- Maximum liquid level control
- Compressed air blowing
- Hot air drying with resistor and air blade side channel blower
- Demineralizer with mixed resins and conductivity meter
- Pneumatic cover opening and closing with two-hand safety control unit
- Centrifugal steam condenser S mobile version
- Two-hands control for basket rotation with opened lid
- Stainless steel Aisi 304 external trolley with drops-catcher, wheels and safety brakes [C]
- Additional basket/platform in stainless steel
- Stainless steel Aisi 304 additional external trolley
- Automatic liquid detergent dispenser
- Disc oil separator with dedicated motorization
- External pneumatic oil separator
- Bag filter in stainless steel
- Magnetic spark plug for bag filter for ferrite powder
- Idle lower rotating group in stainless steel
- Idle upper rotating group in stainless steel [C]
- Device for remote connection and remote support for HMI Weintek
- Kit for Industry 4.0 for HMI Weintek

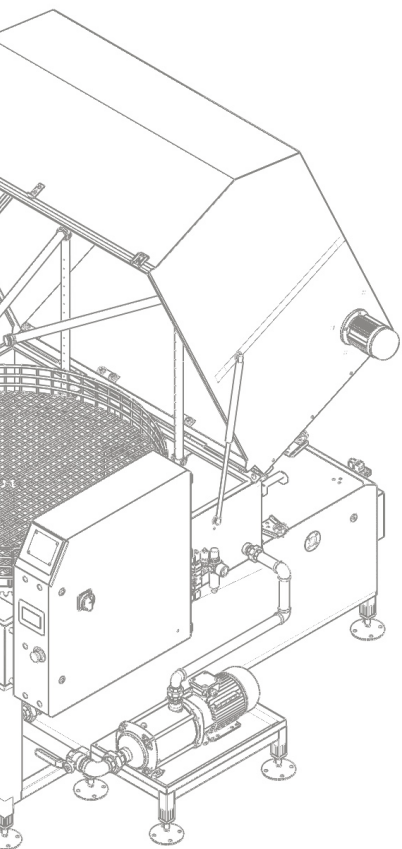
- Manual washing and blowing with hoses and washing nozzle
- 80 bar manual washing and blowing with hoses and washing nozzle (both for LT or for HT available)
- Kit for use with abrasive contaminants in the washing liquid
- Stainless steel fittings and valves kit ( for parts that are in contact with liquids)
- PLC Siemens® S7 1200 - HMI touchscreen Weintek
- High pressure washing pump
- High pressure rinsing pump
- Circulating pump from tank 2 (most clean) to tank 1 (most contaminated)
- Stainless steel Aisi 304 retention tank with drip-catcher
- Upper ramp fastened to the cover
- Rinsing by water supply and direct drain outlet
- Nebulized rinse from water mains, draining into the washing tank
- Tanks emptying pump (2)
- Signal tower for indicating system status
- Pipes with blade-nozzle in stainless steel 1/8"
- Workpieces positioning /clamping pallet



### ACCESSORIES NOTES LEGEND

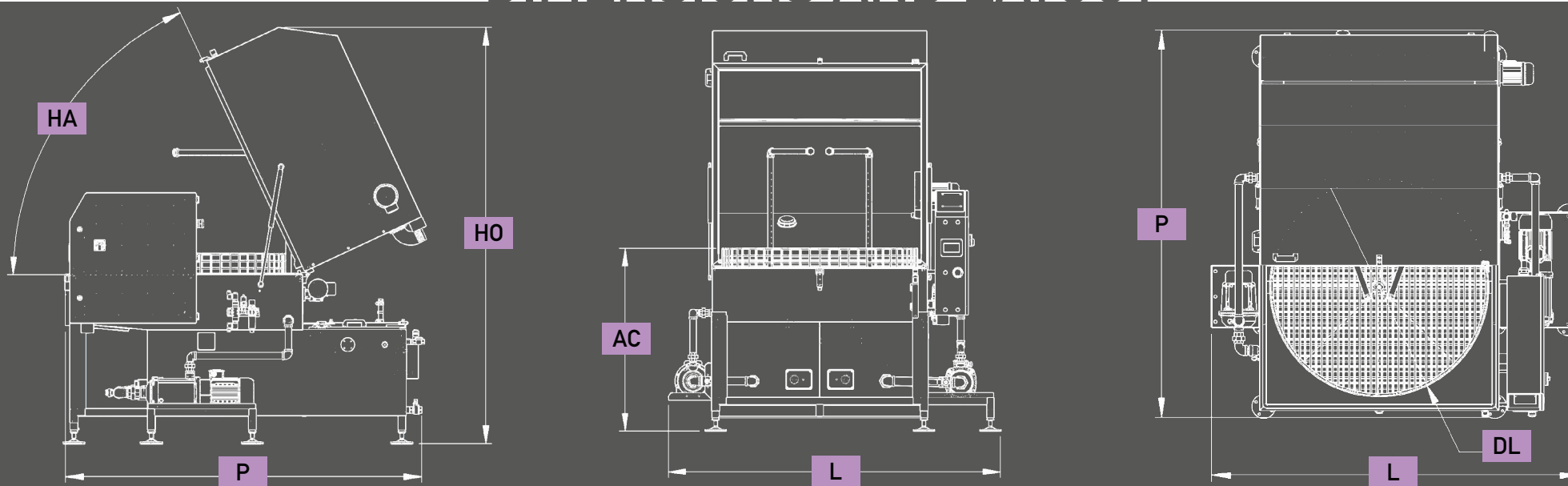
C: the useful washing height is reduced by 130 mm

CONNECTIONS	U 80 2B	U 100 2B	U 120 2B
Steam extraction	Ø80 mm	Ø80 mm	Ø80 mm
Tank liquid drain	2 x F 1"	2 x F 1"	2 x F 1"
Water filling solenoid valve	2 x F 1/2"	2 x F 1/2"	2 x F 1/2"
Deoiling oil drain	M 1/2"	M 1/2"	M 1/2"
Compressed air intake	F 1/4"	F 1/4"	F 1/4"
Compressed air blower solenoid valve	F 1"	F 1"	F 1"
Emptying pump	F 1"	F 1"	F 1"
Overflow drain	2 x F 1"	2 x F 1"	2 x F 1"
Cabin vent outlet	Ø75 mm	Ø75 mm	Ø75 mm



DIMENSIONS AND LAYOUT		U 80 2B	U 100 2B	U 120 2B
L	width	158 cm	178 cm	198 cm
P	depth	178 cm	195 cm	210 cm
HO	height with opened machine	206 cm	216 cm	237 cm
DL	working diameter	78 cm	97 cm	117 cm
HL	washing height	54 cm	54 cm	70 cm
AC	loading height	93 cm	93 cm	93 cm
HA	opening angle	60°	60°	60°
W	weight	300 Kg	400 Kg	500 Kg
RU	noise LT	75 dBa	75 dBa	75 dBa
RU_HT	noise HT	70 dBa	70 dBa	70 dBa

## DIMENSIONS AND LAYOUT



Our catalogue  
UNIX LINE



SCAN THE QR-CODE  
download our catalogue UNIX LINE

www.teknox.net



TEKNOX ITALY

ADDRESS

Via Mori, 6  
40054 Prunaro di Budrio  
Bologna - Italy

PHONE

+ 39 051 800862

FAX

+ 39 051 803769

EMAIL

info@teknox.net

THIS CATALOGUE REPLACES ANY PREVIOUS PUBLICATION.  
THE DATA PROVIDED ARE INDICATIVE AND WE RESERVE THE RIGHT TO CHANGE THEM WITHOUT NOTICE.

Copyright © 2020 TEKNOX s.r.l.