



SIMMM ENGINEERING

HIGH PRESSURE CLEANERS AND PISTON PUMPS



2018

Made In Italy

SIMMM Engineering, with their decade of experience in the sector of equipment for high pressure cleaning, is one of the leading companies on the national and international market for the manufacture of high pressure pumps and professional hot and cold water high pressure cleaners.

Production is organised totally on their premises, giving the end product a total guarantee of quality, starting from raw materials and ending with a personalised and unique test of each model.

These characteristics allow SIMMM Engineering to co-operate clearly with their clients, not just as a normal supplier but as an ideal and flexible partner in receiving requests and giving answers.

In this dimension the company has recently launched their technical and commercial structure, above all in human resources, which are SIMMM Engineering's strong point.

INDEX



<u>POWER CLEANER</u>	8
<u>POWER GUN</u>	10
<u>POWER WATER</u>	12
<u>WATER GUN</u>	14
<u>POWER SHOT</u>	16
<u>POWER DUTY</u>	18
<u>STEEL CLEANER</u>	20
<u>POWER WASHER</u>	22
<u>PISTON PUMPS</u>	26



PISTON PUMPS

SIMMM PUMPS ARE A COMBINATION OF EXCEPTIONAL DEGREE OF TECHNOLOGY AND INNOVATION, QUALITY AND RELIABILITY WORTHY OF A LEADING BRAND ON THE MARKET. THE WIDE RANGE INCLUDES MANY MODELS WHICH VARY IN TERMS OF PRESSURE, DELIVER, POWER AND TECHNICAL CHARACTERISTICS, TO SATISFY WIDELY DIFFERENT MARKET DEMANDS.



PRESSURE WASHERS

HIGH PERFORMANCE PISTON PUMPS UP TO 250 BAR



ADVANCE FEATURES

SIMMM PRESSURE WASHERS COMBINE RELIABILITY AND CLEANING EFFICIENCY TO ACHIEVE THE MAXIMUM CLEANING POWER POSSIBLE PER HORSEPOWER – SAVING MONEY, TIME, AND WATER. OUR PRESSURE WASHERS USE AN ADVANCED WOBBLE-PLATE PUMP PRODUCING GREATER PRESSURE AND FLOW RATE THAN A CRANK CASE PUMP. THE SIMPLE, RUGGED DESIGN INSURES RELIABILITY. THE PUMP IS SO DURABLE IT IS CAPABLE OF RUNNING DRY, OR IN BYPASS, FOR AN EXTENDED PERIOD OF TIME WITHOUT DAMAGE.



INNOVATION AND DESIGN

AXA PUMP

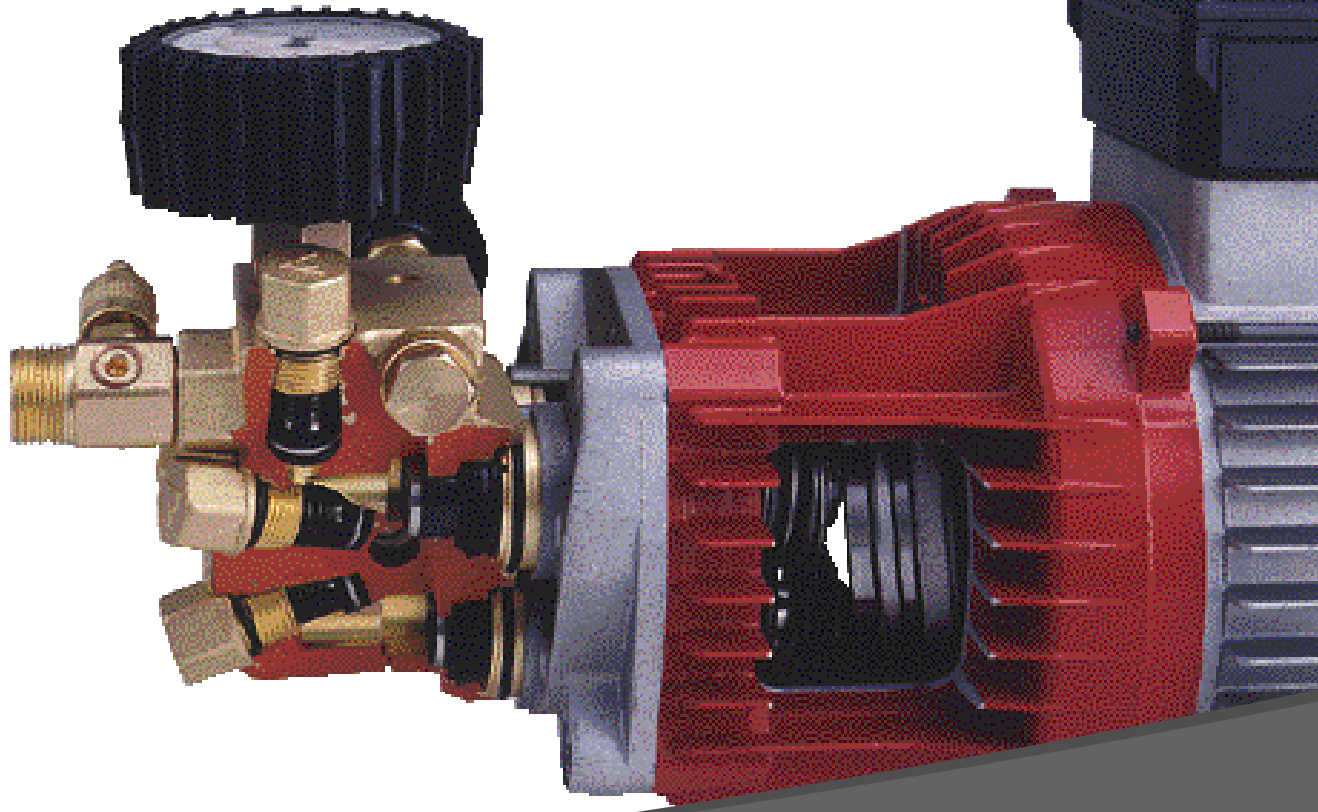
HIGH-EFFICIENCY PROFESSIONAL BRASS ALLOY PUMP WITH PISTONS WITH CERAMIC COATING WITH PATENT. LOW WORKING TEMPERATURE, VERY NOISELESS, STAINLESS STEEL VALVES WITH SYNTHETIC PLASTIC COVER. SAME PUMP BODY AND COMPONENTS FOR EACH MODEL. LOWER STOCK COSTS.

FOUR-POLE MOTOR WITH 1.450 RPM WITH CONTINUOUS USE WITH PROTECTION CLASS IP55 AND HIGH NOISELESS AND INTEGRATED THERMAL SWITCH. LOW REVOLUTIONS GUARANTEE A LONGER LIFE OF THE MECHANICAL COMPONENTS USED.

INTERNATIONAL PATENT THAT GUARANTEES 5 HOURS IN BY-PASS MODE WITH WATER RECIRCULATION WITHOUT DAMAGE TO THE SEALS. THE SPECIAL BY-PASS VALVE ALLOWS SETTING THE WORKING PRESSURE.

THANKS TO THE REVOLUTIONARY AXA PUMP UNIT WE CAN HAVE WORKING PRESSURES UP TO 200 BAR WITH SINGLE-PHASE MOTOR (230 VOLT) HP. 3 - 1.400 RPM WITH ABSORPTION LOWER THAN 4 AMPS. THIS FEATURE ALLOWS USING THE CLEANER IN ANY PLACE AND ABOVE ALL WHERE THERE IS NOT THREE-PHASE CURRENT.





ONE TECHNOLOGY MANY
SOLUTIONS WHOEVER YOU ARE.



POWER CLEANER SERIES



Top of the range with rotomold mechanically resistant plastic trolley integrating a detergent tank (lt. 12) and fit for continuous work without break. A complete range with single-phase and three-phase current guarantees a wide professional use.

HANDLE FOR EASY TRANSPORTATION

LARGE PRESSURE GAUGE WITH RUBBER PROTECTION

TOTAL STOP DEVICE (OPTIONAL)

ON/OFF SWITCH WITH OVERLOAD PROTECTION

1.450 RPM MOTOR

PROFESSIONAL GUN WITH SWIVEL JOIN

PROFESSIONAL SIMMM AXA PISTON PUMP

INTERNAL BY-PASS VALVE

R1 RUBBER 8 MT. HIGH PRESSURE HOSE

BACK ACCESSORIES HOLDER

ROTO-MOLD CHASSIS WITH BUILT-IN 12 LT DETERGENT TANK

LARGE WHEELS





TECHNICAL DATA

- SIMMM AXA pump with international patent
- High efficiency up to 98%
- Double water seals for high temperature
- Integrated by-pass valve
- Stainless steel plungers with ceramic coating
- Stainless steel valves
- Dry-run safety and leakage return systems (up to 5 hours)
- Low speed electric motor 1.450 rpm
- Pressure up to 200 bar with a single ph. motor (230 V. 50/50 Hz.)
- Total stop device (optional)
- Roto-mold chassis with built in 12 lt detergent tank
- Adjustable detergent device
- Large pressure gauge with rubber protection
- Large wheels for easy transportation
- Easy front connection
- CE approved

STANDARD ACCESSORIES

- Professional gun with swivel join
- Mt. 8 R1 rubber high pressure hose
- Lance with multi reg nozzle



Code	r.p.m	Pressure		Flow rate		Voltage	Motor		Nozzle
		Bar	PSI	l./h	GPM		V/ph/Hz.	Hp.	
PC100.660	1.450	30÷120	1.450	660	2.9	230/1/50-60	3	10.4	0.50
PC105.720	1.450	30÷105	1.522	720	3.3	230/1/50-60	3	11.8	0.60
PC120.660	1.450	30÷120	1.740	660	2.9	230/1/50-60	3	12.1	0.45
PC130.630	1.450	30÷130	1.885	360	2.8	230/1/50-60	3	12.8	0.40
PC130.660	1.450	30÷130	1.885	660	2.9	230/1/50-60	3	13.8	0.40
PC150.600	1.450	30÷150	2.170	600	2.6	230/1/50-60	3	13.8	0.35
PC200.420	1.450	30÷200	2.900	420	1.9	230/1/50-60	3	13.8	0.20
PC160.900	1.450	30÷160	2.320	900	4.0	400/3/50-60	4	7.5	0.50
PC185.780	1.450	30÷185	2.680	780	3.0	400/3/50-60	4	7.5	0.30
PC200.660	1.450	30÷200	2.900	660	2.9	400/3/50-60	4	7.5	0.35
PC200.900	1.450	30÷200	2.900	900	4.0	400/3/50-60	5.5	9.4	0.45
PC230.780	1.450	30÷230	3.335	780	3.0	400/3/50-60	5.5	9.4	0.35

POWER GUN SERIES



Power Gun is a professional model and it can be easily moved thanks to its metal structure and two big wheels. The water tank with a capacity of 5 lt is built in. A pleasant design makes it a versatile product. Hose reel is available on request.

HANDLE FOR EASY TRANSPORTATION

EASY LIFTING HOOK

ANTI-CORROSION
PAINTED STEEL TROLLEY

ON/OFF SWITCH WITH OVERLOAD
PROTECTION

LARGE PRESSURE GAUGE WITH
RUBBER PROTECTION

INTERNAL BY-PASS VALVE

PROFESSIONAL SIMMM
AXA PISTON PUMP

PROFESSIONAL GUN
WITH SWIVEL JOIN

PAINTED STEEL HOSE REEL
WITH 16 MT R1 RUBBER H.P. HOSE

ACCESSORIES HOLDER

1.450 RPM MOTOR

TOTAL STOP DEVICE

WATER TANK

LARGE WHEELS





TECHNICAL DATA

- SIMMM AXA pump with international patent
- High efficiency up to 98%
- Double water seals for high temperature
- Integrated by-pass valve
- Stainless steel plungers with ceramic coating
- Stainless steel valves
- Dry-run safety and leakage return systems (up to 5 hours)
- Low speed electric motor 1.450 rpm
- Pressure up to 200 bar with a single ph. motor (230 V. 50/50 Hz.)
- Total stop device
- Water tank
- Painted steel hose reel up to 16 mt (optional)
- Adjustable detergent device
- Large pressure gauge with rubber protection
- Large wheels for easy transportation
- Easy front connection
- CE approved



STANDARD ACCESSORIES

- Professional gun with swivel join
- Mt. 8 R1 rubber high pressure hose
- Lance with multi reg nozzle

Code	r.p.m	Pressure		Flow rate		Voltage	Motor		Nozzle
		Bar	PSI	l./h	GPM		V/ph/Hz.	Hp.	
PG100.660	1.450	30÷120	1.450	660	2.9	230/1/50-60	3	10.4	0.50
PG105.720	1.450	30÷105	1.522	720	3.3	230/1/50-60	3	11.8	0.60
PG120.660	1.450	30÷120	1.740	660	2.9	230/1/50-60	3	12.1	0.45
PG130.630	1.450	30÷130	1.885	360	2.8	230/1/50-60	3	12.8	0.40
PG130.660	1.450	30÷130	1.885	660	2.9	230/1/50-60	3	13.8	0.40
PC150.600	1.450	30÷150	2.170	600	2.6	230/1/50-60	3	13.8	0.35
PG200.420	1.450	30÷200	2.900	420	1.9	230/1/50-60	3	13.8	0.20
PG160.900	1.450	30÷160	2.320	900	4.0	400/3/50-60	4	7.5	0.50
PG185.780	1.450	30÷185	2.680	780	3.0	400/3/50-60	4	7.5	0.30
PG200.660	1.450	30÷200	2.900	660	2.9	400/3/50-60	4	7.5	0.35
PG200.900	1.450	30÷200	2.900	900	4.0	400/3/50-60	5.5	9.4	0.45
PG230.780	1.450	30÷230	3.335	780	3.0	400/3/50-60	5.5	9.4	0.35

POWER WATER SERIES

CE



Power Water is a professional machine with robust frame and cover in stainless steel. The Total Stop and the hose reel are on request as optional devices.



Made In Italy

HANDLE FOR EASY TRANSPORTATION

PROFESSIONAL GUN WITH SWIVEL JOIN

ANTI-CORROSION PAINTED STEEL TROLLEY

PAINTED STEEL HOSE REEL WITH 16 MT R1 RUBBER H.P. HOSE

STAINLESS STEEL COVER

ACCESSORIES HOLDER

LARGE PRESSURE GAUGE WITH RUBBER PROTECTION

1.450 RPM MOTOR

INTERNAL BY-PASS VALVE

TOTAL STOP DEVICE

PROFESSIONAL SIMMM AXA PISTON PUMP

LARGE WHEELS



TECHNICAL DATA

- SIMMM AXA pump with international patent
- High efficiency up to 98%
- Double water seals for high temperature
- Integrated by-pass valve
- Stainless steel plungers with ceramic coating
- Stainless steel valves
- Dry-run safety and leakage return systems (up to 5 hours)
- Low speed electric motor 1.450 rpm
- Pressure up to 200 bar with a single ph. motor (230 V. 50/50 Hz.)
- Total stop device (as optional)
- Painted steel hose reel up to 16 mt (optional)
- Adjustable detergent device
- Large pressure gauge with rubber protection
- Large wheels for easy transportation
- Easy front connection
- CE approved



STANDARD ACCESSORIES

- Professional gun with swivel joint
- Mt. 8 R1 rubber high pressure hose
- Lance with multi reg nozzle

Code	r.p.m	Pressure		Flow rate		Voltage	Motor		Nozzle
		Bar	PSI	l./h	GPM		V/ph/Hz.	Hp.	
PW100.660	1.450	30÷120	1.450	660	2.9	230/1/50-60	3	10.4	0.50
PW105.720	1.450	30÷105	1.522	720	3.3	230/1/50-60	3	11.8	0.60
PW120.660	1.450	30÷120	1.740	660	2.9	230/1/50-60	3	12.1	0.45
PW130.630	1.450	30÷130	1.885	360	2.8	230/1/50-60	3	12.8	0.40
PW130.660	1.450	30÷130	1.885	660	2.9	230/1/50-60	3	13.8	0.40
PW150.600	1.450	30÷150	2.170	600	2.6	230/1/50-60	3	13.8	0.35
PW200.420	1.450	30÷200	2.900	420	1.9	230/1/50-60	3	13.8	0.20
PW160.900	1.450	30÷160	2.320	900	4.0	400/3/50-60	4	7.5	0.50
PW185.780	1.450	30÷185	2.680	780	3.0	400/3/50-60	4	7.5	0.30
PW200.660	1.450	30÷200	2.900	660	2.9	400/3/50-60	4	7.5	0.35
PW200.900	1.450	30÷200	2.900	900	4.0	400/3/50-60	5.5	9.4	0.45
PW230.780	1.450	30÷230	3.335	780	3.0	400/3/50-60	5.5	9.4	0.35

WATER GUN SERIES



The easily transportable Water Gun model is a very compact professional cleaner. The good quality-price ratio makes it a leading product fit for any use. Integrated detergent tank.

Made In Italy

HANDLE FOR EASY TRANSPORTATION

ANTI-CORROSION
PAINTED STEEL FRAME

INTERNAL BY-PASS VALVE

ADJUSTABLE DETERGENT DEVICE



ON/OFF SWITCH WITH OVERLOAD
PROTECTION

1.450 RPM MOTOR

LARGE PRESSURE GAUGE WITH RUBBER
PROTECTION

PROFESSIONAL SIMMM AXA PISTON PUMP



TECHNICAL DATA

- SIMMM AXA pump with international patent
- High efficiency up to 98%
- Double water seals for high temperature
- Integrated by-pass valve
- Stainless steel plungers with ceramic coating
- Stainless steel valves
- Dry-run safety and leakage return systems (up to 5 hours)
- Low speed electric motor 1.450 rpm
- Pressure up to 200 bar with a single ph. motor (230 V. 50/50 Hz.)
- Total stop device (optional)
- Adjustable detergent device
- Large pressure gauge with rubber protection
- Large wheels for easy transportation
- Easy front connection
- CE approved



STANDARD ACCESSORIES

- Professional gun with swivel join
- Mt. 8 R1 rubber high pressure hose
- Lance with multi reg nozzle

Code	r.p.m	Pressure		Flow rate		Voltage	Motor		Nozzle
		Bar	PSI	l./h	GPM		V/ph/Hz.	Hp.	
WG100.660	1.450	30÷120	1.450	660	2.9	230/1/50-60	3	10.4	0.50
WG105.720	1.450	30÷105	1.522	720	3.3	230/1/50-60	3	11.8	0.60
WG120.660	1.450	30÷120	1.740	660	2.9	230/1/50-60	3	12.1	0.45
WG130.630	1.450	30÷130	1.885	360	2.8	230/1/50-60	3	12.8	0.40
WG130.660	1.450	30÷130	1.885	660	2.9	230/1/50-60	3	13.8	0.40
WG150.600	1.450	30÷150	2.170	600	2.6	230/1/50-60	3	13.8	0.35
WG200.420	1.450	30÷200	2.900	420	1.9	230/1/50-60	3	13.8	0.20
WG160.900	1.450	30÷160	2.320	900	4.0	400/3/50-60	4	7.5	0.50
WG185.780	1.450	30÷185	2.680	780	3.0	400/3/50-60	4	7.5	0.30
WG200.660	1.450	30÷200	2.900	660	2.9	400/3/50-60	4	7.5	0.35
WG200.900	1.450	30÷200	2.900	900	4.0	400/3/50-60	5.5	9.4	0.45
WG230.780	1.450	30÷230	3.335	780	3.0	400/3/50-60	5.5	9.4	0.35

POWER SHOT SERIES



Power Shot is a professional model with body made of shock resistant plastic material (roto-mold chassis) fit for a constant use. The detergent tank is integrated and it can hold up to 12 litres of chemical product. It can be easily moved. Built in a back accessories holder.

Made In Italy

HANDLE FOR EASY TRANSPORTATION

ADJUSTABLE DETERGENT DEVICE

PROFESSIONAL PRESSURE GAUGE

ON/OFF SWITCH WITH OVERLOAD PROTECTION

1.450 RPM MOTOR (PS120.400.1)

PROFESSIONAL GUN

INTERNAL BY-PASS VALVE

PROFESSIONAL AXB PISTON PUMP

R1 RUBBER 8 MT. HIGH PRESSURE HOSE

BACK ACCESSORIES HOLDER

ROTO-MOLD CHASIS WITH BUILT-IN 12 LT DETERGENT TANK

LARGE WHEELS





TECHNICAL DATA

- SIMMM AXB pump with international patent
- High efficiency up to 98%
- Double water seals for high temperature
- Integrated by-pass valve
- Stainless steel plungers
- Stainless steel valves
- Dry-run safety and leakage return systems (up to 1 hours)
- Low speed electric motor 1.450 rpm (PS120.400.1)
- Roto-mold chassis with built in 12 lt detergent tank
- Adjustable detergent device
- Professional pressure gauge
- Large wheels for easy transportation
- Easy front connection
- CE approved

STANDARD ACCESSORIES

- Professional gun with swivel join
- Mt. 8 R1 rubber high pressure hose
- Lance with multi reg nozzle



Code	r.p.m	Pressure		Flow rate		Voltage V/ph/Hz.	Motor		Nozzle
		Bar	PSI	l./h	GPM		Hp.	Amps	
PS120.400.1	1.450	30÷120	1.740	400	1.9	230/1/50-60	2.6	11	0.20
PS120.400	2.800	30÷120	1.740	400	1.9	230/1/50-60	1.8	7.3	0.20
PS105.660	2.800	30÷105	1.523	600	2.9	230/1/50-60	2.6	11	0.50
PS135.540	2.800	30÷135	1.958	540	2.4	230/1/50-60	2.6	11.8	0.35
PS150.480	2.800	30÷150	2.175	480	2.1	230/1/50-60	2.6	11.8	0.20

POWER DUTY SERIES

CE



Semi-professional compact and easily transportable cleaner. Integrated detergent device. Low consumption and high efficiency for what concerns pressure and water flow rate.

HANDLE FOR EASY TRANSPORTATION

ON/OFF SWITCH WITH OVERLOAD PROTECTION

INTERNAL BY-PASS VALVE

1.450 RPM MOT. (PS120.400.1)

DETERGENT DEVICE

PROFESSIONAL PRESSURE GAUGE

PROFESSIONAL AXB PISTON PUMP





TECHNICAL DATA

- SIMMM AXB pump with international patent
- High efficiency up to 98%
- Double water seals for high temperature
- Integrated by-pass valve
- Stainless steel plungers
- Stainless steel valves
- Dry-run safety and leakage return systems (up to 1 hours)
- Low speed electric motor 1.450 rpm (PS120.400.1)
- Painted steel handle frame for easy transport
- Adjustable detergent device
- Professional Pressure gauge
- Easy front connection
- CE approved



STANDARD ACCESSORIES

- Professional gun with swivel join
- Mt. 8 R1 rubber high pressure hose
- Lance with multi reg nozzle

Code	r.p.m	Pressure		Flow rate		Voltage V/ph/Hz.	Motor		Nozzle
		Bar	PSI	l./h	GPM		Hp.	Amps	
PD120.400.1	1.450	30÷120	1.740	400	1.9	230/1/50-60	2.6	11	0.20
PD120.400	2.800	30÷120	1.740	400	1.9	230/1/50-60	1.8	7.3	0.20
PD105.660	2.800	30÷105	1.523	600	2.9	230/1/50-60	2.6	11	0.50
PD135.540	2.800	30÷135	1.958	540	2.4	230/1/50-60	2.6	11.8	0.35
PD150.480	2.800	30÷150	2.175	480	2.1	230/1/50-60	2.6	11.8	0.20

STEEL CLEANER SERIES



Steel Cleaner is a professional model with stainless steel body fit for any use. The integrated water tank guarantees the correct work of the pump unit even under extreme conditions of use. Wall brackets are available on request.



LARGE PRESS. GAUGE

COOLING FAN

SS AISI 304 CABINET

ON/OFF SWITCH WITH OVERLOAD PROTECTION

PROFESSIONAL SIMMM AXA PISTON PUMP

5 LT WATER TANK BUILT IN

1.450 RPM MOTOR



- SIMMM AXA pump with international patent
- High efficiency up to 98%
- Double water seals for high temperature
- Integrated by-pass valve
- Stainless steel plungers with ceramic coating
- Stainless steel valves
- Dry-run safety and leakage return systems (up to 5 hours)
- Low speed electric motor 1.450 rpm
- Total stop device
- SS 304 cabinet
- Adjustable detergent device
- 5 lt. water tank built in
- Large pressure gauge
- Easy side connections
- CE approved



STANDARD ACCESSORIES

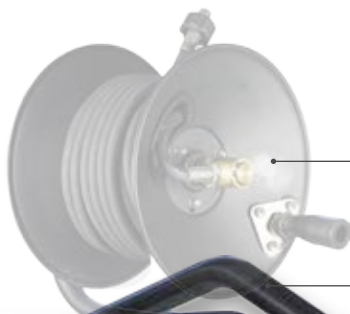
- Professional gun with swivel join
- Mt. 8 R1 rubber high pressure hose
- Lance with multi reg nozzle

Code	r.p.m	Pressure		Flow rate		Voltage	Motor		Nozzle
		Bar	PSI	l./h	GPM		V/ph/Hz.	Hp.	
ST105.220	1.450	30÷105	1.740	720	1.9	230/1/50-60	3	13.8	0.60
ST150.900	1.450	30÷150	1.522	900	2.9	230/1/50-60	5.5	7.5	0.50

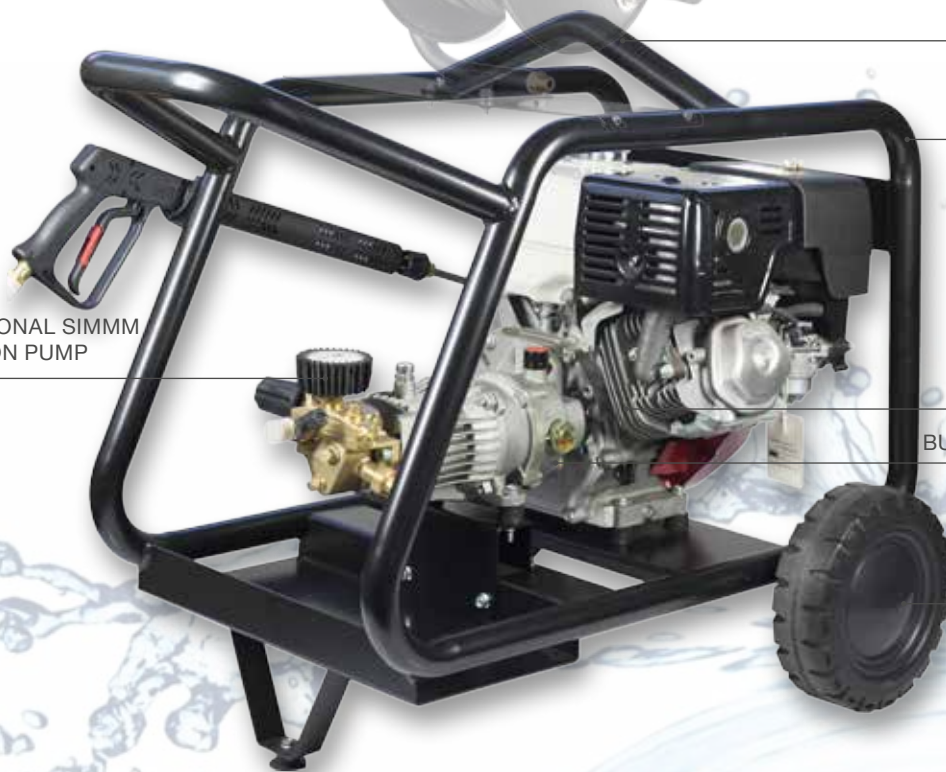
POWER WASHER SERIES



Pressure washers with endothermic motor for use without electric current. Integrated revolution gear box which allows a continuous use even for a long period without break.



OPTIONAL HOSE REEL



EASY LIFTING HOOK

ANTI-CORROSION
PAINTED STEEL

PROFESSIONAL SIMMM
AXA PISTON PUMP

PROFESSIONAL HONDA
PETROL ENGINE

BUILT-IN GEAR BOX 1.750 RPM

LARGE RUBBER WHEELS



TECHNICAL DATA

- SIMMM AXA pump with international patent
- High efficiency up to 98%
- Double water seals for high temperature
- Integrated by-pass valve
- Stainless steel plungers with ceramic coating
- Stainless steel valves
- Dry-run safety and leakage return systems (up to 5 hours)
- Low speed engine 1.750 rpm (by gear box built in)
- Anti-corrosion painted steel trolley
- Adjustable detergent device
- Large pressure gauge with rubber protection
- Large rubber wheels for easy transportation
- Easy front connection
- CE approved

STANDARD ACCESSORIES

- Professional gun with swivel join
- Mt. 8 R1 rubber high pressure hose
- Lance with multi reg nozzle



Code	r.p.m	Pressure		Flow rate		Engine Power	Engine model
		Bar	PSI	l./h	GPM		
PW150.720R	1.750*	30÷150	2.175	720	3.1	5.5	Honda GX160
PW200.900R	1.750*	30÷200	2.900	900	3.9	11	Honda GX340

- With gear box

POWER WASHER SERIES



Pressure Washer with endothermic motor for the use without electric current.

ANTI-CORROSION
PAINTED STEEL TROLLEY

PROFESSIONAL GUN

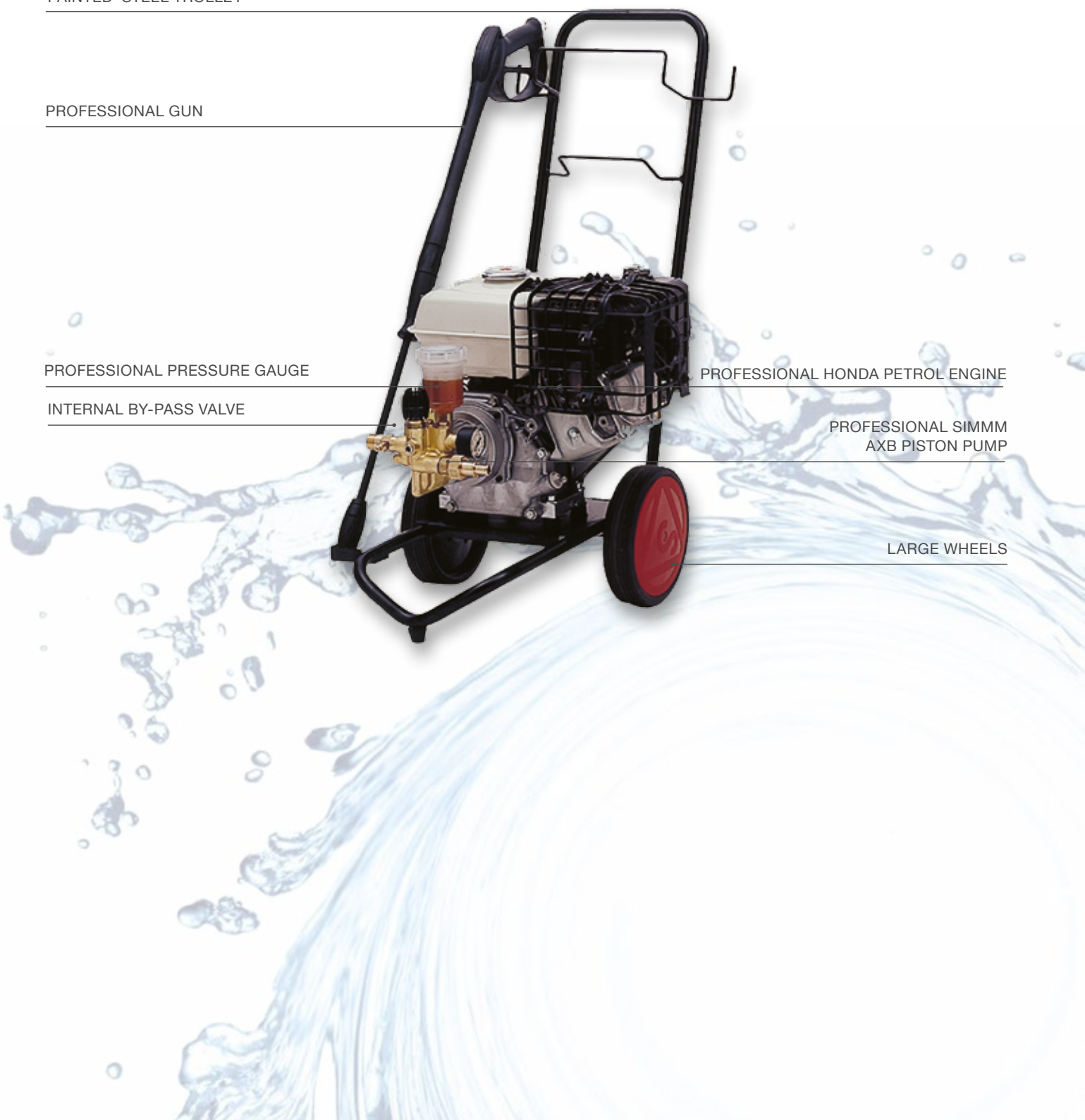
PROFESSIONAL PRESSURE GAUGE

INTERNAL BY-PASS VALVE

PROFESSIONAL HONDA PETROL ENGINE

PROFESSIONAL SIMMM
AXB PISTON PUMP

LARGE WHEELS





TECHNICAL DATA

- SIMMM AXB pump with international patent
- High efficiency up to 98%
- Double water seals for high temperature
- Integrated by-pass valve
- Stainless steel plungers
- Stainless steel valves
- Dry-run safety and leakage return systems (up to 1 hours)
- Anti-corrosion painted steel trolley
- Adjustable detergent device
- Professional pressure gauge
- Large wheels for easy transportation
- Easy front connection
- CE approved



STANDARD ACCESSORIES

- Professional gun with swivel join
- Mt. 8 R1 rubber high pressure hose
- Lance with multi reg nozzle

Code	r.p.m	Pressure		Flow rate		Engine Power	Engine model
		Bar	PSI	l./h	GPM		
PW150.720	3.400	30÷150	2.175	720	3.1	5.5	Honda GX160

AXA PISTON PUMP SERIES

CE



Pump unit - brass alloy with integrated pressure gauge, by-pass valve and detergent device. The electric box complete with thermal switch and electric cable M.5 with electric socket is available as optional.





TECHNICAL DATA

- SIMMM AXA pump with international patent
- High efficiency up to 98%
- Double water seals for high temperature
- Integrated by-pass valve
- Stainless steel plungers with ceramic coating
- Stainless steel valves
- Dry-run safety and leakage return systems (up to 5 hours)
- Low speed electric motor 1.450 rpm
- (1.750 rpm with gear box for AXA150.720.R1 and AXA200.900.R1)
- Adjustable detergent device
- Large pressure gauge with rubber protection
- Easy front connection
- CE approved



Code	r.p.m	Pressure		Flow rate		Voltage V/ph/Hz.	Motor		Nozzle
		Bar	PSI	l./h	GPM		Hp.	Amps	
AXA100.660	1.450	30±100	1.450	660	2.9	230/1/50-60	3	10.4	0.50
AXA105.720	1.450	30±105	1.522	720	3.3	230/1/50-60	3	11.8	0.60
AXA120.660	1.450	30±120	1.740	660	2.9	230/1/50-60	3	12.1	0.45
AXA130.630	1.450	30±130	1.885	360	2.8	230/1/50-60	3	12.8	0.40
AXA130.660	1.450	30±130	1.885	660	2.9	230/1/50-60	3	13.8	0.40
AXA150.600	1.450	30±150	2.170	600	2.6	230/1/50-60	3	13.8	0.35
AXA180.450	1.450	30±180	2.900	450	1.9	230/1/50-60	3	13.8	0.20
AXA200.420	1.450	30±200	2.320	420	4.0	400/3/50-60	4	7.5	0.50
AXA185.780	1.450	30±185	2.680	780	3.0	400/3/50-60	4	7.5	0.30
AXA200.660	1.450	30±200	2.900	660	2.9	400/3/50-60	4	7.5	0.35
AXA200.900	1.450	30±200	2.900	900	4.0	400/3/50-60	5.5	9.4	0.45
AXA230.780	1.450	30±230	3.335	780	3.0	400/3/50-60	5.5	9.4	0.35

Code	r.p.m	Pressure		Flow rate		Engine Power	Gear ratio
		Bar	PSI	l./h	GPM		
AXA150.720R1	1.750*	30±150	2.175	720	3.1	5.5	2.3:1
AXA200.900R1	1.750**	30±200	2.900	900	3.9	11	2.176:1

* Gear box for diesel/petrol engines with 3/4" (19.05 mm) cylindrical shaft and SAE J609a flange

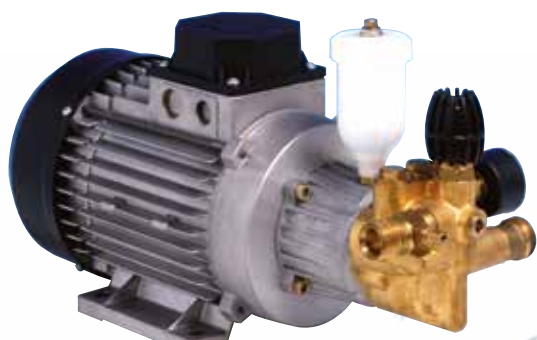
** Gear box for diesel/petrol engines with 1" (25,4 mm) cylindrical shaft and SAE J609a flange

AXB PISTON PUMP SERIES

CE



Pump unit - semi-professional brass alloy with integrated pressure gauge, by-pass valve and detergent device. The electric box complete with thermal switch and electric cable M.5 with electric socket is available as optional.





TECHNICAL DATA

- SIMMM AXB pump with international patent
- High efficiency up to 98%
- Double water seals for high temperature
- Integrated by-pass valve
- Stainless steel plungers with ceramic coating
- Stainless steel valves
- Dry-run safety and leakage return systems (up to 5 hours)
- Low speed electric motor 1.450 rpm (model AXB120.400.1)
- Adjustable detergent device
- Large pressure gauge with rubber protection
- Easy front connection
- CE approved

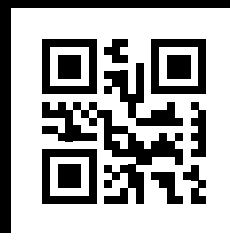


Code	r.p.m	Pressure		Flow rate		Voltage V/ph/Hz.	Motor		Nozzle
		Bar	PSI	l./h	GPM		Hp.	Amps	
AXB120.400.1	1.450	30÷120	1.740	400	1.9	230/1/50-60	2.6	11	0.20
AXB120.400	2.800	30÷120	1.740	400	1.9	230/1/50-60	1.8	7.3	0.20
AXB105.660	2.800	30÷105	1.523	600	2.9	230/1/50-60	2.6	11	0.50
AXB135.540	2.800	30÷135	1.958	540	2.4	230/1/50-60	2.6	11.8	0.35
AXB150.480	2.800	30÷150	2.175	480	2.1	230/1/50-60	2.6	11.8	0.20

Code	r.p.m	Pressure		Flow rate		Engine Power
		Bar	PSI	l./h	GPM	
AXB150.720.R	3.400	30÷150	2.175	720	3.1	5.5

- 3/4" (19.05 mm) cylindrical shaft and SAE J609a flange

Code	r.p.m	Pressure		Flow rate		Hydraulic pressure	Hydraulic flow rate
		Bar	PSI	l./h	GPM	Bar	lit/min
AXB140.660.H	3.400	30÷140	2.030	660	2.9	123	24.5



SIMMM ENGINEERING SRL

VIA A. MARTINI 8/10

20092 CINISELLO BALSAMO (MI) - ITALY

TEL. +39 02 66011851 FAX +39 02 66015092

WWW.SIMMM.COM