

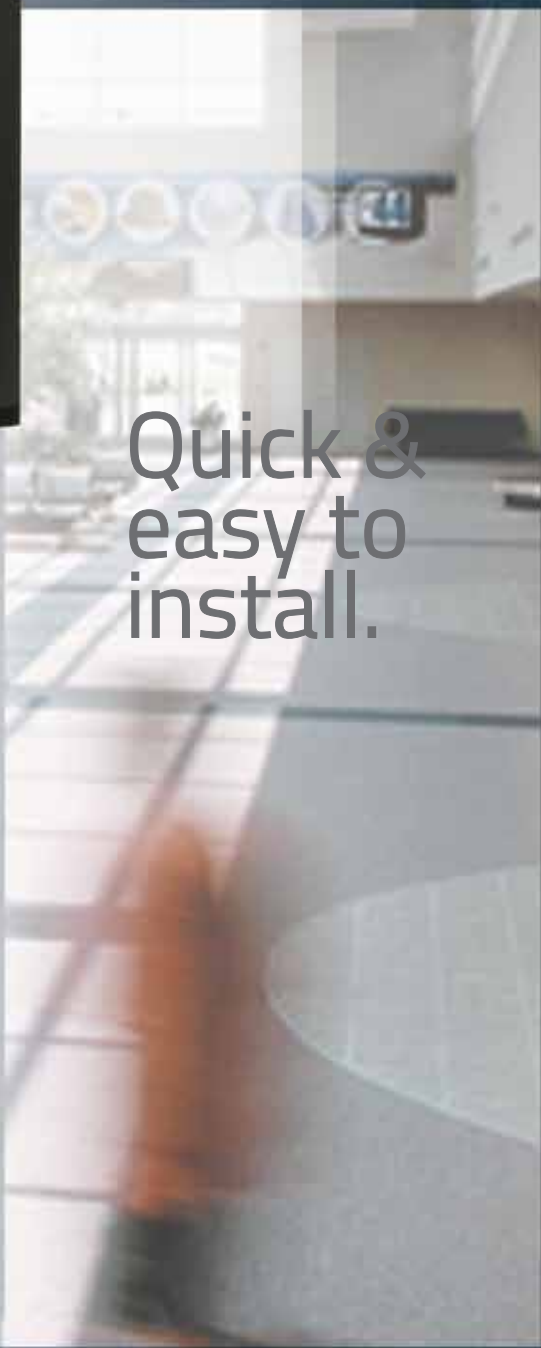
1 0 0 % M A D E I N I T A L Y

# INFINIGRID<sup>2.0</sup>

THE EVOLUTION CONTINUES



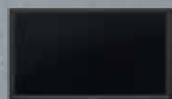
 **euromet**<sup>™</sup>  
STANDING INNOVATION



Quick &  
easy to  
install.



+



=





# INFINIGRID<sup>2.0</sup>

## Videowall Evolution.

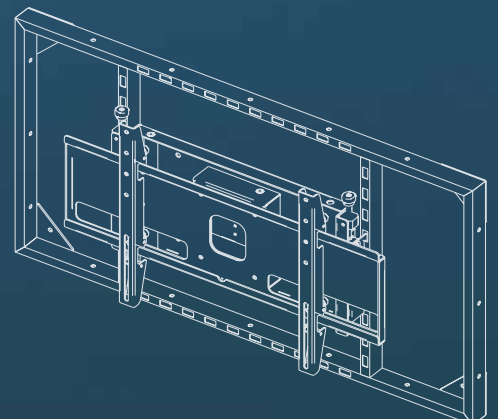
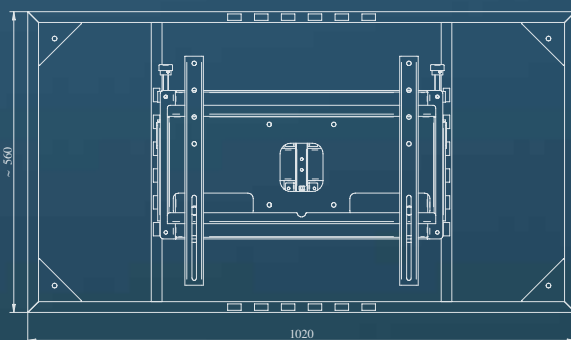
The completely tailor-made modular solution for any type of monitor(\*). either in vertical (portrait) or in horizontal (landscape), guaranteeing an easy and optimal installation as well as total mounting precision both in alignment as well as planarity. With a 100% Italian design, the principal requisites for each and every end-user, designer or architect, have been taken into consideration and applied in order to address each and every necessity. Easy mounting, total versatility, a robust structure and above all maximum mounting dependability.

INFINIGRID 2.0 has been thoroughly studied for any possible utilization.

With its free-standing option, it can be installed in any type of ambience or on any surface (wall, wood, dry-wall, etc.).

Standard 46", 55" e 60" monitor size series are readily available and any other size can be provided upon request.

The natural evolution of Euromet's INFINIGRID 2.0 has been created to provide the utmost best Videowall solution.



\* Maximum monitor weight: 50 Kg (110 lb)



## MOUNTING MADE EASY.

Easy application of mounting brackets to the back of the monitor.

## QUICK FASTENING.

Quick and easy fastening of mounting brackets on the structure's individual modules.



## ALWAYS SECURE.

A special mechanism prevents accidental release, making the system completely safe.

## SUPER-PRECISE CALIBRATION.

Special stainless-steel knobs guarantee perfect monitor alignment and leveling. .



## GUARANTEED PLANARITY.

Frontal monitor plane obtained utilizing the pictured special device which guarantees a perfect frontal alignment.

## EASY INSPECTION.

Ample space to maneuver, which allows optimal and convenient access to the monitor.



## MODULARITY.

Simple horizontal modularity utilizing the designated joint.

## FREE-STANDING OPTION.

Available free-standing option, with or without wheels, for easy positioning and movement.



## PORTRAIT MODE.

Thanks to the slot located on the frame's perimeter, it's possible to orient the module vertically, maintaining the same mounting performance.



Robust,  
Precise,  
Reliable.

 **euromet**<sup>™</sup>  
STANDING INNOVATION

Zona Ind.le Brodolini, 40 B - 60025 Loreto (AN) Italy  
Tel + 39 071 976444 - Fax +39 071 978988  
[www.euromet.com](http://www.euromet.com) - [info@euromet.com](mailto:info@euromet.com)