

# TIME TO IMPROVE

**SAFELIFT** LIFTING SYSTEMS



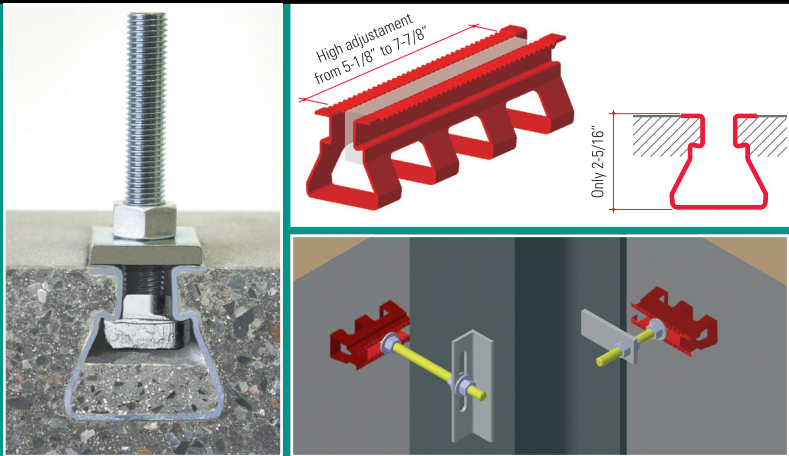
1-12 ton  
 Universal  
 erection system  
 High versatility  
 & performance



**CONCRETESLOT** ANCHORAGE SYSTEMS



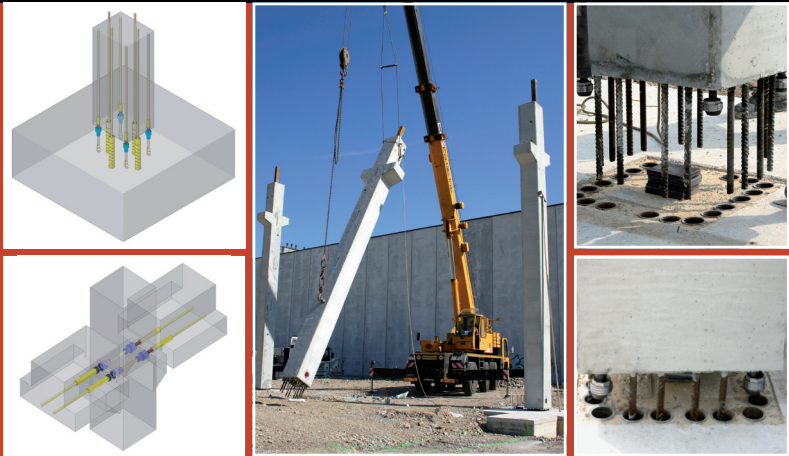
13-20  
 thousand lbs  
 High  
 adjustment  
 Full load in  
 any position



**RS CONTINUITY** CONNECTION SYSTEMS



SEISMIC,  
 up to 500 kN  
 Fast in production  
 and erection  
 Vertical  
 & horizontal  
 connection options



## CONNECTION SYSTEMS

PRECASTING SAFE AND SIMPLE

