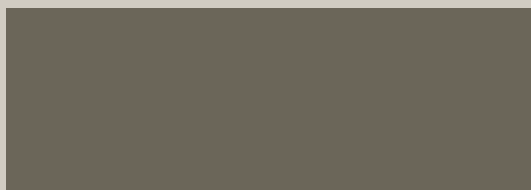




# Technical Catalogue







Solve any kind of problem in the field of visual communication: this is our objective. Thanks to its long-term experience, Seberg is able to outline and suggest the solutions which best meet the client needs and best fit the existing architectural environment. All thanks to accurate inspection on-the-spot, preliminary study and availability of different lines of products, carefully developed following criteria of rationality, versatility and above all quality. Always with an accurate attention to details.





**SIGNAGE FOR OUTDOOR** | **07**

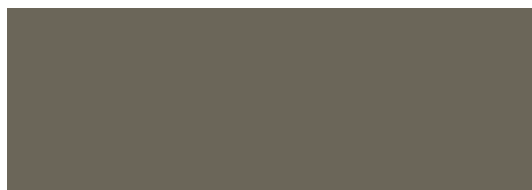
**SELF-STANDING FOR INDOOR** | **27**

**CURVED LINES** | **41**

**FLAT LINES** | **49**

**DISPLAY STANDS and SHOWCASES** | **69**

**SAFETY** | **83**



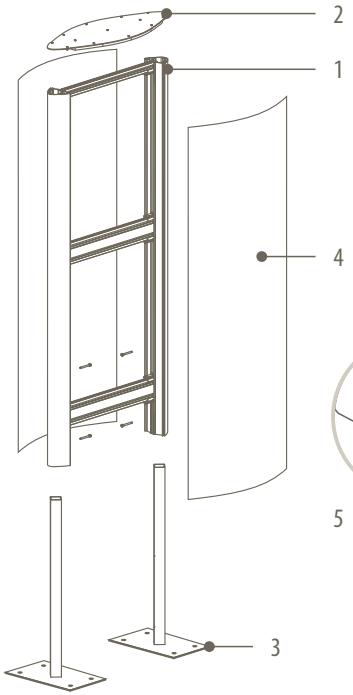
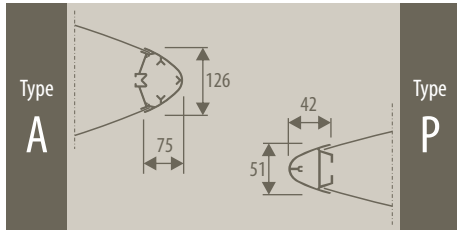


<b>TOTEM</b> CURVED (type <b>A - P - G</b> )	08
<b>TOTEM</b> FLAT (type <b>B - N - M -S</b> )	10
<b>TOTEM</b> TRIANGULAR (type <b>D</b> )	12
<b>TOTEM</b> SQUARE SECTION (type <b>E</b> )	13
<b>TOTEM</b> PROJECTING - CURVED (type <b>L</b> )	14
<b>TOTEM</b> PROJECTING - FLAT (type <b>R</b> )	15
<b>TOTEM</b> HORIZONTAL (type <b>Z</b> )	16
<b>DRIVE</b> 40 - 70 - 80	17
<b>DRIVE</b> 94	18
<b>DRIVE</b> SINGLE POST 70 - 80	20
<b>DRIVE</b> SINGLE POST 94	21
<b>DRIVE</b> SINGLE POST 100	22
<b>WIDE</b> SINGLE POST	23
<b>BOX PLATES</b>	24
<b>LIGHT BOXES</b>	25

# SIGNAGE FOR OUTDOOR

# TOTEM CURVED

for outdoor



### MATERIALS AND COLOURS

1\_ vertical extrusions  
in powder coated aluminium

2\_ top cap in Aluminium Composite  
colour silver metallic

3\_a flat base (+ anchor plate if necessary)  
in zinc coated steel

3\_b raised base (+ anchor plate if necessary)  
in powder coated  
zinc coated steel  
- texturized anthracite  
- texturized silver

3\_c free standing ballasted base  
in powder coated zinc coated steel  
- texturized anthracite  
- texturized silver

4\_ panelling  
- in aluminium sheets  
- in Aluminium Composite sheets  
- in opaline plexiglas (for totem with lighting system)

5\_ joining profile in aluminium  
For totems higher than 3 meters or for different  
materials junctions.

### LIGHTING SYSTEM

An internal lighting system  
with low tension LED is available.

### SIZES AND CODES

H	code		Type A
5000			TM4.A120500
4300	TM4.A90430		TM4.A120430
3200	TM4.A90320		TM4.A120320
2500	TM4.A60250	TM4.A90250	
2100	TM4.A60210	TM4.A90210	
L	786	1086	1386

Raised base not available  
 Free standing base not available

H	code		Type P
2500			TM4.P60250
2100	TM4.P45210		TM4.P60210
1800	TM4.P45180		TM4.P60180
1600	TM4.P45160		
L	538		688

### INSTALLATION

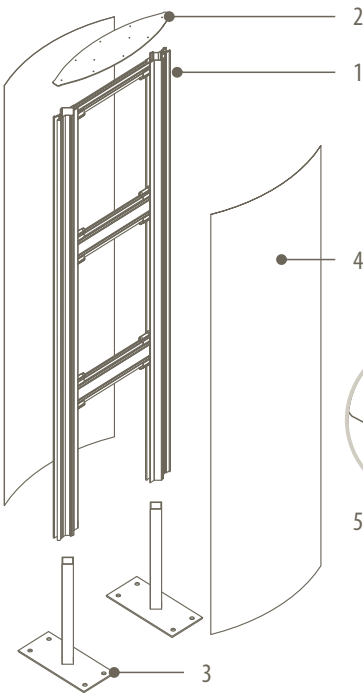
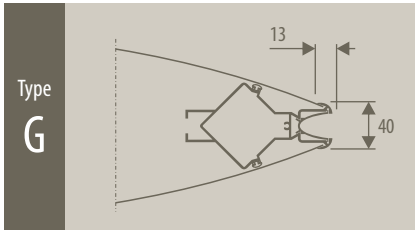
Flat or raised base  
to be fixed to the concrete  
by using expansion bolts.

Flat or raised base  
to be fixed to the anchor plate.

Free standing base.







### MATERIALS AND COLOURS

1\_ vertical extrusions  
in powder coated aluminium

2\_ top cap in Aluminium Composite  
colour silver metallic

+ 3\_a flat base (+ anchor plate if necessary)  
in zinc plated steel

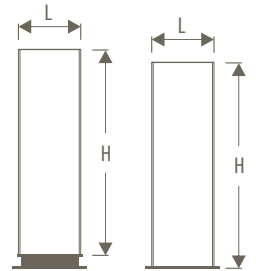
+ 3\_b raised base (+ anchor plate if necessary)  
in powder coated  
zinc plated steel  
- texturized anthracite  
- texturized silver

3\_c free standing ballasted base  
in powder coated zinc plated steel  
- texturized anthracite  
- texturized silver

4\_ panelling  
- in aluminium sheets  
- in Aluminium Composite sheets  
- in opaline plexiglas (for totem with lighting system)

5\_ junction profile  
in aluminium  
For totems higher than 3 meters or for different  
materials junctions.

### SIZES AND CODES



H	code			
3200		TM4.G71320	TM4.G86320	
2500		TM4.G56250	TM4.G71250	TM4.G86250
2100	TM4.G41210	TM4.G56210	TM4.G71210	TM4.G86210
1800	TM4.G41180	TM4.G56180		
1600	TM4.G41160			
L	404	554	704	854

### INSTALLATION



Flat or raised base  
to be fixed to the concrete  
by using expansion bolts.

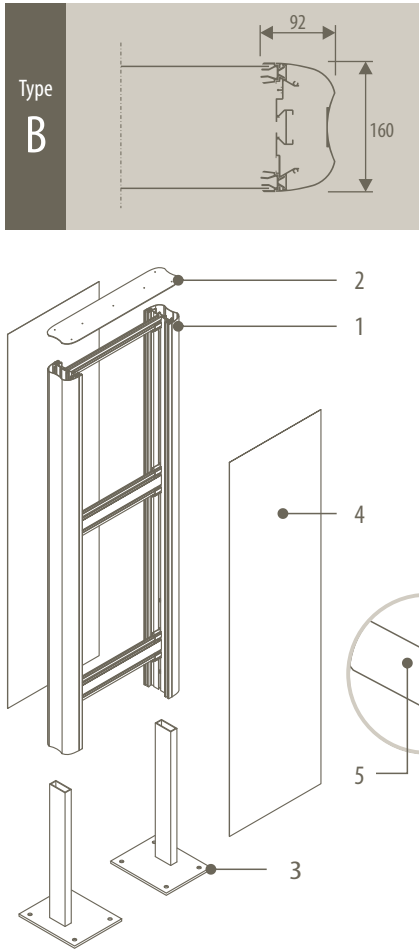


Flat or raised base  
to be fixed to the anchor plate.



Free standing base.





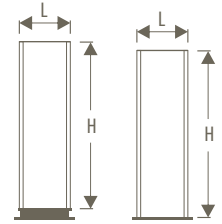
### MATERIALS AND COLOURS

- 1\_ vertical extrusions in powder coated aluminium
- 2\_ top cap in Aluminium Composite colour silver metallic
- 3\_a flat base (+ anchor plate if necessary) in zinc steel
- 3\_b raised base (+ anchor plate if necessary) in powder coated zinc steel
  - texturized anthracite
  - texturized silver
- 3\_c free standing ballasted base in powder coated zinc steel
  - texturized anthracite
  - texturized silver
- 4\_ panelling
  - in aluminium sheets
  - in Aluminium Composite sheets
  - in opaline plexiglas (for totem with lighting system)
- 5\_ joining profile in aluminium  
For totems higher than 3 meters or for different materials junctions.

### LIGHTING SYSTEM

An internal lighting system with low tension LED is available.

### SIZES AND CODES



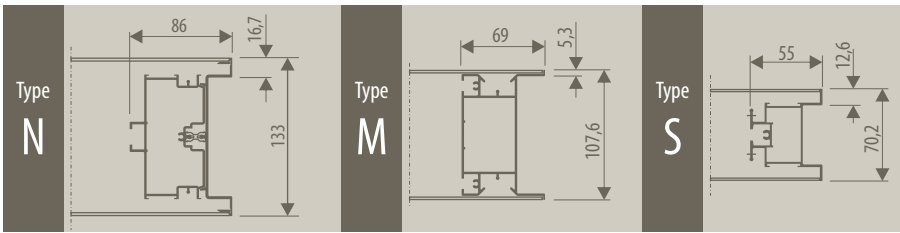
H	code		
5000			TM4.B120500
4300	TM4.B90430		TM4.B120430
3200	TM4.B90320		TM4.B120320
2500	TM4.B60250	TM4.B90250	
2100	TM4.B60210	TM4.B90210	
	L 748	1048	1348

Raised base not available  
 Free standing base not available

### INSTALLATION

- Flat or raised base to be fixed to the concrete by using expansion bolts.
- Flat or raised base to be fixed to the anchor plate.
- Free standing base.





## MATERIALS AND COLOURS

1\_ vertical extrusions in anodized aluminium

2\_ top cap in Aluminium Composite colour silver metallic

3\_a flat base (+ anchor plate if necessary) in zinc steel

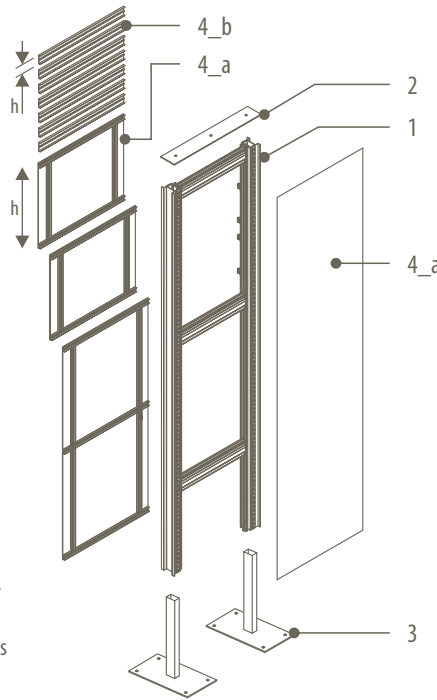
3\_b raised base (+ anchor plate if necessary) in powder coated zinc steel  
- texturized anthracite  
- texturized silver

3\_c free standing ballasted base in powder coated zinc steel  
- texturized anthracite  
- texturized silver

4\_a panelling in Aluminium Composite sheets with joining aluminium brackets height 100 mm on the back

For totems higher than 3 meters the panelling must be divided.

4\_b panelling (available only for N and S) with modules in powder coated aluminium sheets h = 20, 40, 60, 80, 120, 160 mm



## SIZES AND CODES

### CUSTOM-MADE

It is possible to realize custom-made structures on request.

### INSTALLATION

Flat or raised base to be fixed to the concrete by using expansion bolts. (available for N, M and S)

Flat or raised base to be fixed to the anchor plate. (available only for N)

Free standing base. (available N, M and S)

H	code				Type N
6400	TM4.N100640				
5000	TM4.N100500				
4300	TM4.N75430	TM4.N100430			
3200	TM4.N50320	TM4.N75320	TM4.N100320	TM4.N150320	
2500	TM4.N50250	TM4.N75250	TM4.N100250		
2100	TM4.N50210	TM4.N75210	TM4.N100210	TM4.N150210	
1800	TM4.N50180	TM4.N75180			
1600	TM4.N50160				
1500				TM4.N150150	TM4.N200150
1000				TM4.N150100	TM4.N200100
	L 500	750	1000	1500	2000

Panelling = L - 3 mm

Raised base not available  
 Free standing base not available

H	code				Type M
3200	TM4.M75320				
2500	TM4.M75250				
2100	TM4.M37210	TM4.M50210	TM4.M75210	TM4.M100210	
1800	TM4.M37180	TM4.M50180	TM4.M75180		
1600	TM4.M37160	TM4.M50160			
	L 370	500	750	1000	

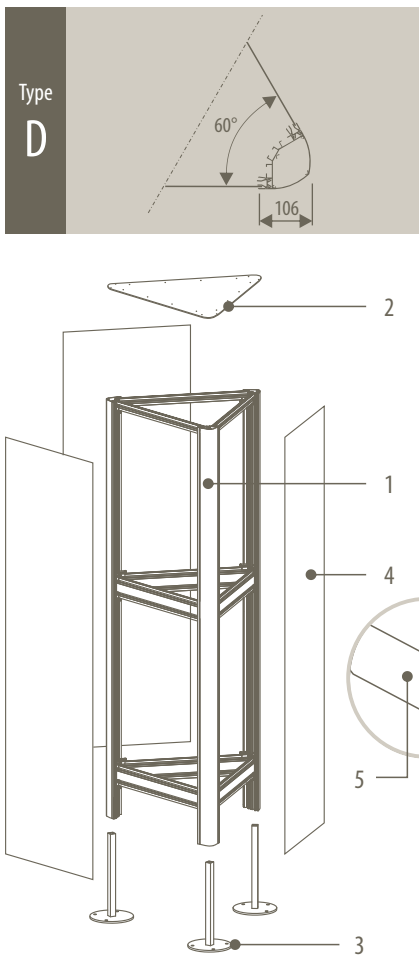
Panelling = L - 3 mm

H	code						Type S
2100	TM4.S30210	TM4.S42210	TM4.S50210	TM4.S60210			
1800	TM4.S30180	TM4.S42180	TM4.S50180	TM4.S60180	TM4.S70180	TM4.S84180	
1600	TM4.S30160	TM4.S42160	TM4.S50160				
	L UNI 30	UNI 42	poster 50	UNI 60	poster 70	UNI 84	
	Panelling: 340	463	543	637	743	883	



# TOTEM TRIANGULAR

for outdoor



### MATERIALS AND COLOURS

1\_ vertical extrusions  
in powder coated aluminium

2\_ top cap in Aluminium Composite  
colour silver

+ 3\_a flat base (+ anchor base if necessary)  
in zinc steel

+ 3\_b raised base (+ anchor base if necessary)  
in powder coated zinc steel  
- texturized anthracite  
- texturized silver

3\_c free standing ballasted base  
in powder coated zinc steel  
- texturized anthracite  
- texturized silver

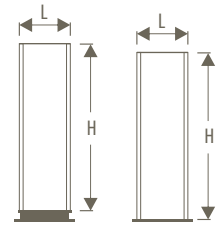
4\_ panelling  
- in aluminium  
- in Aluminium Composite sheets  
- in opaline plexiglas (for totem with lighting system)

5\_ joining profile in aluminium  
For totems higher than 3 meters or for different  
materials junctions.

### LIGHTING SYSTEM

An internal lighting system  
with low tension LED is available.

### SIZES AND CODES



H	code		
6400			TM4.D120640
5000	TM4.D90500		TM4.D120500
4300	TM4.D90430		TM4.D120430
3200		TM4.D90320	TM4.D120320
2500	TM4.D60250		TM4.D90250
2100	TM4.D60210		
	L	776	1076 1376

Raised base not available  
 Free standing base not available

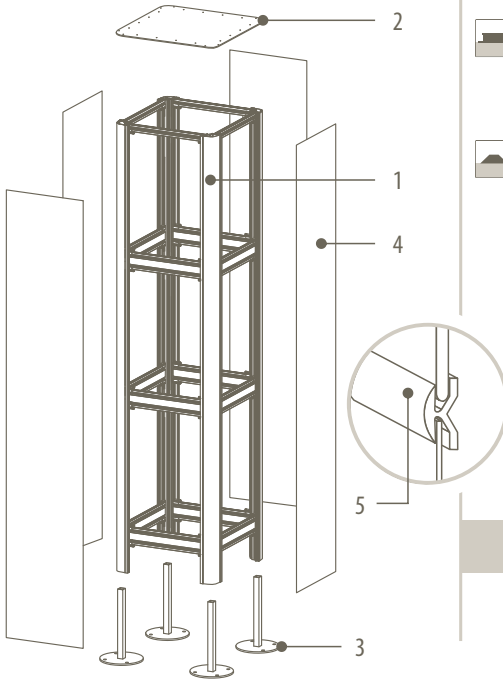
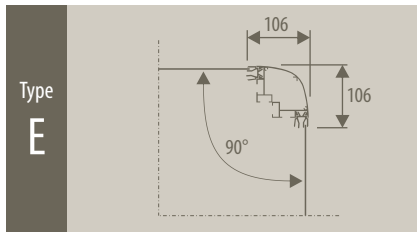
### INSTALLATION

+ Flat or raised base  
to be fixed to the concrete  
by using expansion bolts.

+ + Flat or raised base  
to be fixed to the anchor plate.

Free standing base.





## MATERIALS AND COLOURS

1\_ vertical extrusions  
in powder coated aluminium

2\_ top cap in Aluminium Composite  
colour silver

+ 3\_a flat base (+ anchor base if necessary)  
in zinc steel

+ 3\_b raised base (+ anchor base if necessary)  
in powder coated zinc steel  
- texturized anthracite  
- texturized silver

3\_c free standing ballasted base  
in powder coated zinc steel  
- texturized anthracite  
- texturized silver

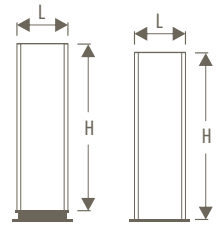
4\_ panelling  
- in aluminium  
- in Aluminium Composite sheets  
- in opaline plexiglas (for totem with lighting system)

5\_ joining profile in aluminium  
For totems higher than 3 meters or for different  
materials junctions.

## LIGHTING SYSTEM

An internal lighting system  
with low tension LED is available.

## DIMENSIONS AND CODES



H	code	
6400		TM4.E120640
4300	TM4.E90430	TM4.E120430
3200	TM4.E90320	
2100	TM4.E60210	
	L	776      1076      1376

Raised base not available  
 Free standing base not available

## INSTALLATION

Flat or raised base  
to be fixed to the concrete  
by using expansion bolts.

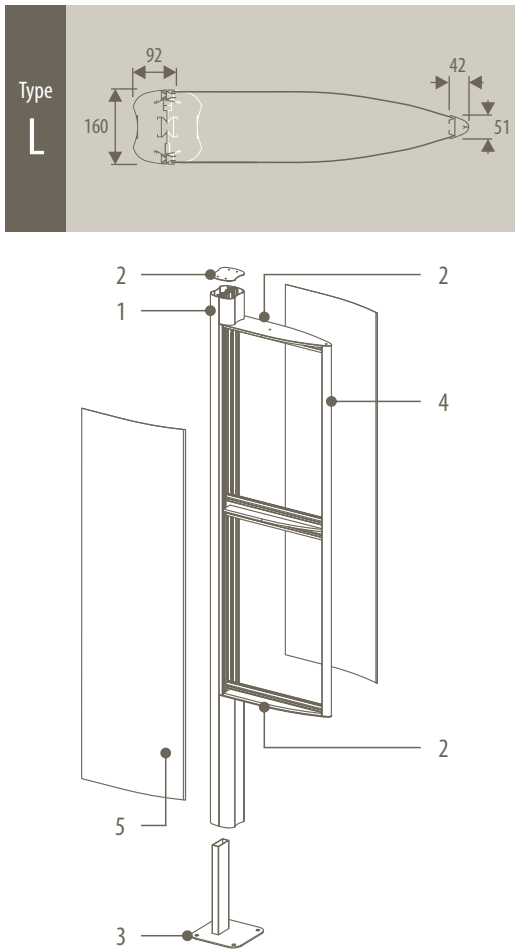
Flat or raised base  
to be fixed to the anchor plate.

Free standing base.



# TOTEM PROJECTING - CURVED

for outdoor



### MATERIALS AND COLOURS

- 1\_ vertical extrusions in powder coated aluminium
- 2\_ top caps in aluminium
- 3\_ base (+ anchor plate if necessary) in zinc steel
- 4\_ side profile in powder coated aluminium
- 5\_ panelling in Aluminium Composite sheets

### INSTALLATION

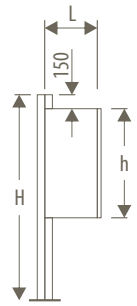


Flat base to be fixed to the concrete by using expansion bolts.



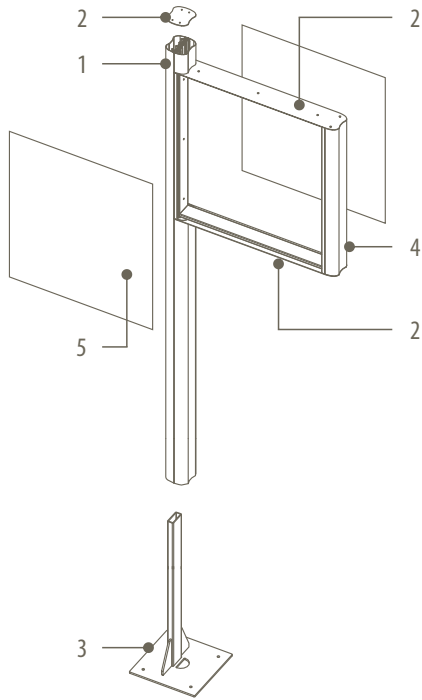
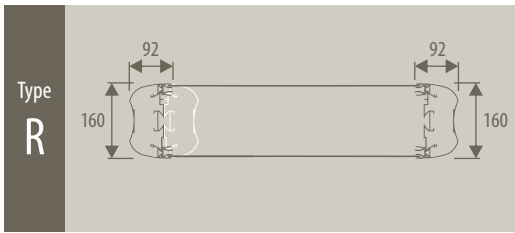
Flat base to be fixed to the anchor plate.

### DIMENSIONS AND CODES



H	h	code	
5000	2500	TM4.L60250-500	TM4.L90250-500
	2000	TM4.L60200-500	TM4.L90200-500
	1500	TM4.L60150-500	TM4.L90150-500
	1000	TM4.L60100-500	TM4.L90100-500
4300	2500	TM4.L60250-430	TM4.L90250-430
	2000	TM4.L60200-430	TM4.L90200-430
	1500	TM4.L60150-430	TM4.L90150-430
	1000	TM4.L60100-430	TM4.L90100-430
3200	2500	TM4.L60250-320	TM4.L90250-320
	2000	TM4.L60200-320	TM4.L90200-320
	1500	TM4.L60150-320	TM4.L90150-320
	1000	TM4.L60100-320	TM4.L90100-320
2500	2000	TM4.L60200-250	TM4.L90200-250
	1500	TM4.L60150-250	TM4.L90150-250
	1000	TM4.L60100-250	TM4.L90100-250
2100	1500	TM4.L60150-210	TM4.L90150-210
	1000	TM4.L60100-210	TM4.L90100-210
		L	600                      900







### MATERIALS AND COLOURS

- 1\_ vertical extrusions in powder coated aluminium
- 2\_ top caps in aluminium
- 3\_ base (+ anchor plate if necessary) in zinc steel
- 4\_ side profile in powder coated aluminium
- 5\_ panelling  
- in Aluminium Composite sheets  
- in opaline plexiglas (for totem with lighting system)

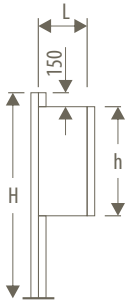
### LIGHTING SYSTEM

An internal lighting system with low tension LED is available.

### INSTALLATION

-  Flat base to be fixed to the concrete by using expansion bolts.
-  Flat base to be fixed to the anchor plate.

### DIMENSIONS AND CODES

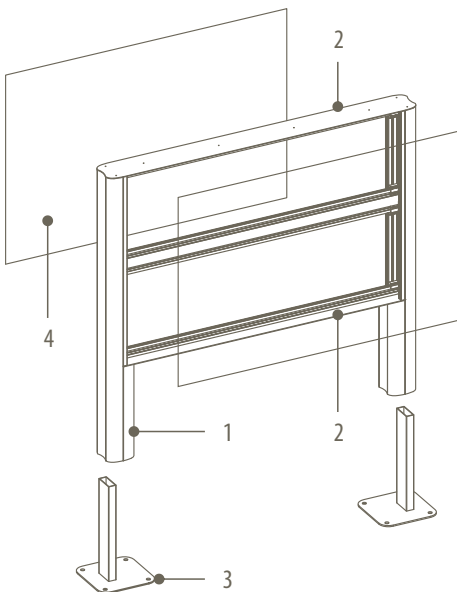
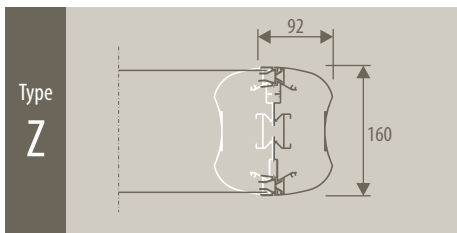


H	h	code	
5000	2000	TM4.R90200-500	
	1500	TM4.R90150-500	TM4.R120150-500
4300	1200	TM4.R90120-500	TM4.R120120-500
	900	TM4.R9090-500	TM4.R12090-500
	600		TM4.R12060-500
3200	2000	TM4.R90200-430	
	1500	TM4.R90150-430	TM4.R120150-430
	1200	TM4.R90120-430	TM4.R120120-430
	900	TM4.R9090-430	TM4.R12090-430
2500	600		TM4.R12060-430
	2000	TM4.R90200-320	
	1500	TM4.R90150-320	TM4.R120150-320
	1200	TM4.R90120-320	TM4.R120120-320
2100	900	TM4.R9090-320	TM4.R12090-320
	600		TM4.R12060-320
	2000	TM4.R90200-250	
	1500	TM4.R90150-250	TM4.R120150-250
L	1200	TM4.R90120-250	TM4.R120120-250
	900	TM4.R9090-250	TM4.R12090-250
	600		TM4.R12060-250
	1500	TM4.R90150-210	TM4.R120150-210
2100	1200	TM4.R90120-210	TM4.R120120-210
	900	TM4.R9090-210	TM4.R12090-210
	600		TM4.R12060-210



# TOTEM HORIZONTAL

for outdoor



### MATERIALS AND COLOURS

- 1\_ side posts  
in powder coated aluminium
- 2\_ top cap in Dibond  
(aluminium composite sheets)  
colour silver
- 3\_ base  
in zinc plated steel
- 4\_ panelling  
- in Aluminium Composite  
sheets  
- in opaline plexiglas  
(for totem with lighting system)

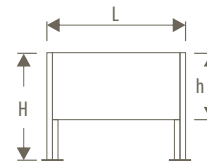
### LIGHTING SYSTEM

An internal lighting system with low tension LED is available.

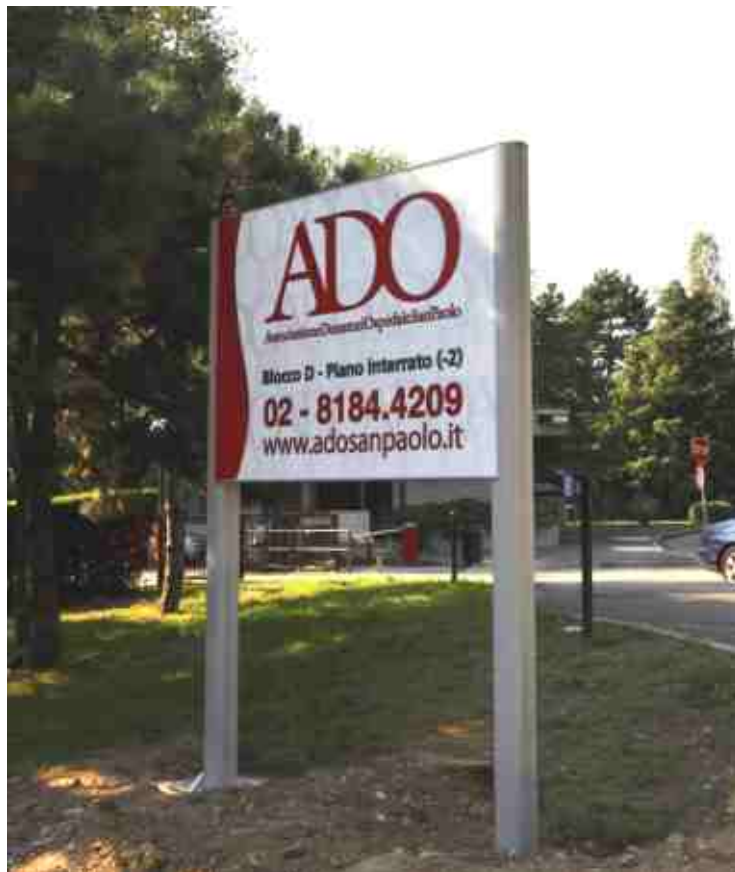
### INSTALLATION

Flat base to be fixed to the concrete by using expansion bolts.

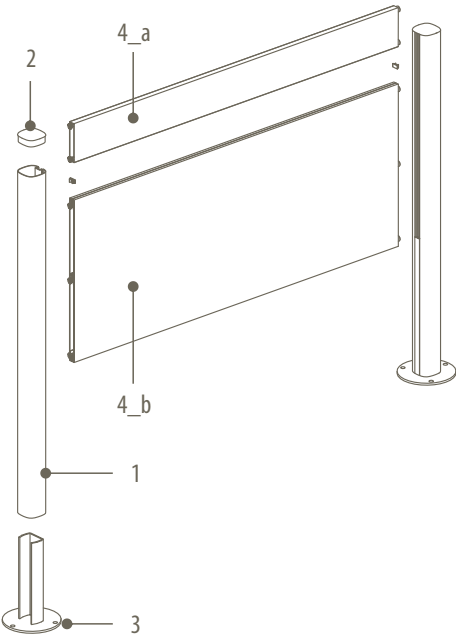
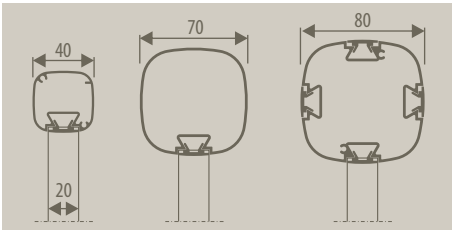
### DIMENSIONS AND CODES



H	h	code		
1500				TM4.Z300150-320
	1250		TM4.Z200125-320	TM4.Z300125-320
3200	1000	TM4.Z150100-320	TM4.Z200100-320	TM4.Z300100-320
	750	TM4.Z15075-320	TM4.Z20075-320	TM4.Z30075-320
	500	TM4.Z15050-320		
1500				TM4.Z300150-250
	1250		TM4.Z200125-250	TM4.Z300125-250
2500	1000	TM4.Z150100-250	TM4.Z200100-250	TM4.Z300100-250
	750	TM4.Z15075-250	TM4.Z20075-250	TM4.Z30075-250
	500	TM4.Z15050-250		
1500				TM4.Z300150-210
	1250		TM4.Z200125-210	TM4.Z300125-210
2100	1000	TM4.Z150100-210	TM4.Z200100-210	TM4.Z300100-210
	750	TM4.Z15075-210	TM4.Z20075-210	TM4.Z30075-210
	500	TM4.Z15050-210		
1250				TM4.Z300125-150
	1000	TM4.Z150100-150	TM4.Z200100-150	TM4.Z300100-150
1500	750	TM4.Z15075-150	TM4.Z20075-150	TM4.Z30075-150
	500	TM4.Z15050-150		
	1000	TM4.Z150100-125	TM4.Z200100-125	TM4.Z300100-125
1250	750	TM4.Z15075-125	TM4.Z20075-125	TM4.Z30075-125
	500	TM4.Z15050-125		
1050	750	TM4.Z15075-105	TM4.Z20075-105	
	500	TM4.Z15050-105	TM4.Z20050-105	
L		1500	2000	3000







### MATERIALS AND COLOURS

1\_ side posts  
in powder coated aluminium

2\_ caps  
in black nylon

3\_ base  
in zinc steel

4\_a modular plates h 120 mm  
in aluminium

4\_b modular plates  
h 150, 200, 300, 400, 500, 750, 1000 mm  
in boxed Aluminium Composites sheets  
with aluminium core.

### LIGHTING SYSTEM

A lighting system with low tension LED  
is available.  
One-sided or double-sided.

### INSTALLATION

Flat base  
to be fixed to the concrete  
by using expansion bolts.

Clutch to insert into the concrete

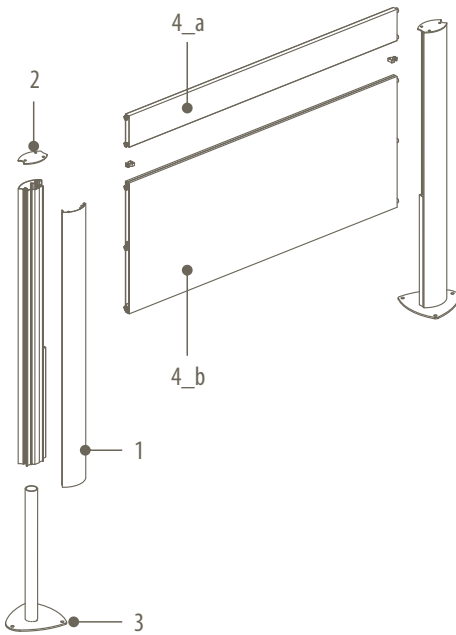
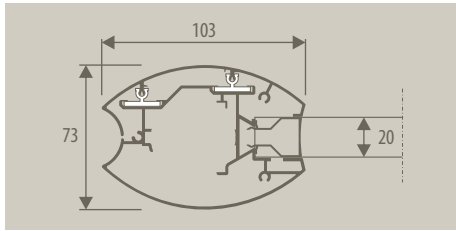
### DIMENSIONS AND CODES

	code
<p>40x40 H = 400, 700, 1050, 1200, 1500, 1800, 2100, 2500</p>	PE4.40/2
<p>70x70 H = 1200, 1500, 1800, 2100</p>	PE4.70/2
<p>70x70 Clutch to be insert into the concrete</p>	PE4.70IN/2
<p>80x80 Four ways post to orientate the plates in four directions</p>	PE4.80/2



L = 700, 1050, 1200, 1500	h	code
	120	PE4.120
	150 200 300 400 500 750 1000	PE4.DB15 PE4.DB20 PE4.DB30 PE4.DB40 PE4.DB50 PE4.DB75 PE4.DB100

LIGHTING SYSTEM profile	L = 700, 1050, 1200, 1500	code
		PE4.140M (one-sided version)
		PE4.140B (double-sided version)



### MATERIALS AND COLOURS

1\_ side posts  
in silver anodized aluminium

2\_ caps  
in silver anodized aluminium

3\_ base  
in zinc steel

4\_a modular panels h 120 mm  
in aluminium

4\_b modular panels  
h 150, 200, 300, 400, 500, 750, 1000 mm  
in boxed Aluminium Composites sheets  
with aluminium core.

### LIGHTING SYSTEM

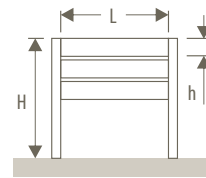
A lighting system with low tension  
LED is available.  
One-sided or double-sided.

### INSTALLATION

Flat base  
to be fixed to the concrete  
by using expansion bolts.

Clutch to insert into the concrete

### DIMENSIONS AND CODES



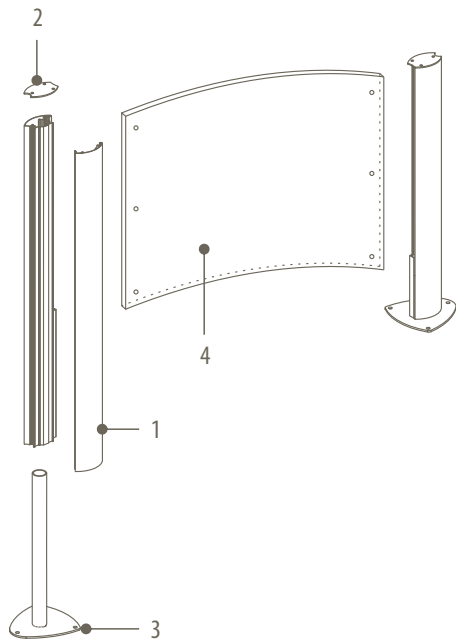
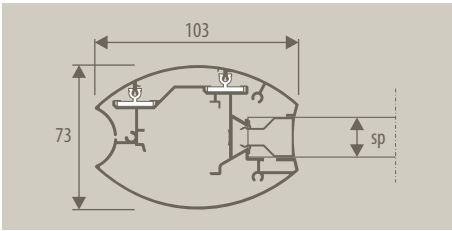
H = 1200, 1500, 1800, 2100	code
	PE4.94/2
	PE4.94IN/2

Clutch to be insert into the concrete

L = 700, 1050, 1200, 1500	h	code
	120	PE4.120
<b>modular PLATES</b>		
	150	PE4.DB15
	200	PE4.DB20
	300	PE4.DB30
	400	PE4.DB40
	500	PE4.DB50
	750	PE4.DB75
	1000	PE4.DB100

L = 700, 1050, 1200, 1500	code
	PE4.160M (one-sided)
	PE4.160B (double-sided)







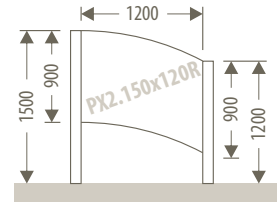
### MATERIALS AND COLOURS

- 1\_ side posts  
in silver anodized aluminium
- 2\_ caps  
in silver anodized aluminium
- 3\_ base  
in zinc steel
- 4\_a panel th. 15 mm  
in transparent acrylic
- 4\_b panel th. 20 mm  
in aluminium

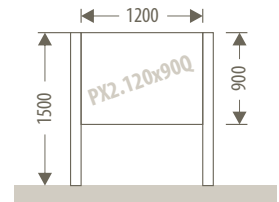
### INSTALLATION

-  Flat base  
to be fixed to the concrete  
by using expansion bolts.
-  Clutch to insert into the concrete.

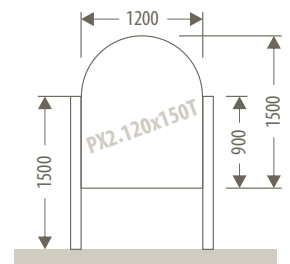
### DIMENSIONS AND CODES



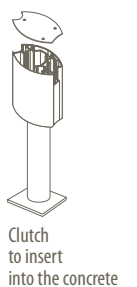
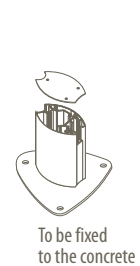
Panel	Base	code
Acrylic	to be fixed	AQ4.D120150
	to insert	AQ4.D120150/IN
Aluminium	to be fixed	AQ4.DB-D120150
	to insert	AQ4.DB-D120150/IN



Panel	Base	code
Acrylic	to be fixed	AQ4.D120150-90Q
	to insert	AQ4.D120150-90Q/IN

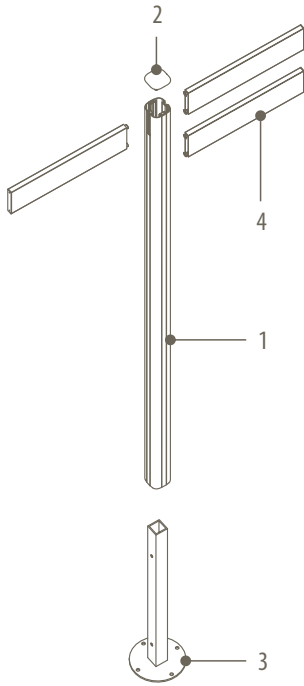
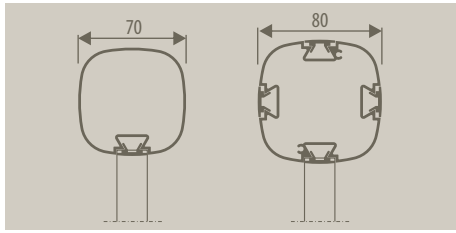


Panel	Base	code
Acrylic	to be fixed	AQ4.D120150-150T
	to insert	AQ4.D120150-150T/IN
Aluminium	to be fixed	AQ4.DB-D120150-150T
	to insert	AQ4.DB-D120150-150T/IN



# DRIVE SINGLE POST 70 - 80



for outdoor



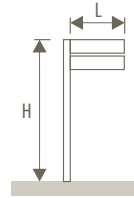
### MATERIALS AND COLOURS

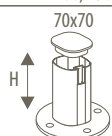
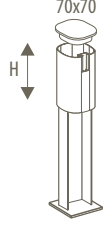
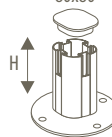
- 1\_ side posts in powder coated aluminium
- 2\_ cap in black nylon
- 3\_ base in zinc steel
- 4\_ modular plates h 120 mm in aluminium

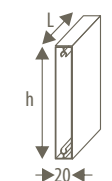
### INSTALLATION

-  Flat base to be fixed to the concrete by using expansion bolts.
-  Clutch to insert into the concrete.

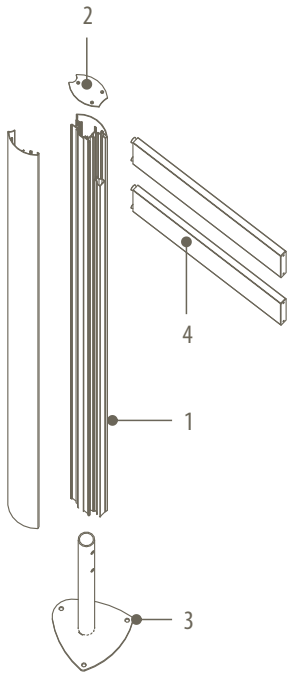
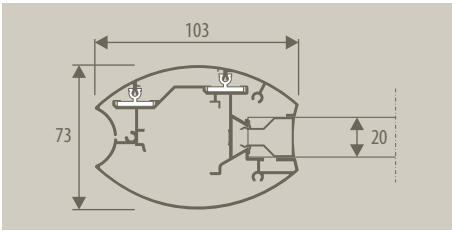
### DIMENSIONS AND CODES



	H = 1200, 1500, 1800, 2100	code
single posts		PE4.70/1
		PE4.70IN/1 Clutch to insert into the plinth
		PE4.80/1 Four ways post to orientate the plates in four directions

	L = 500, 700	h	code
modular PLATES		120	PE4.120/1







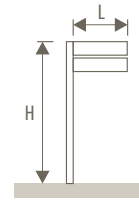
## MATERIALS AND COLOURS

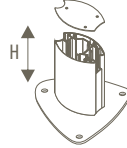
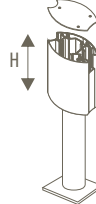
- 1\_ side posts  
in anodized aluminium
- 2\_ caps  
in anodized aluminium
- 3\_ base  
in zinc steel
- 4\_ modular plates h 120 mm  
in aluminium

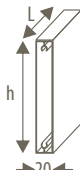
## INSTALLATION

-  Flat base  
to be fixed to the concrete  
by using expansion bolts.
-  Clutch to insert into the concrete

## DIMENSIONS AND CODES

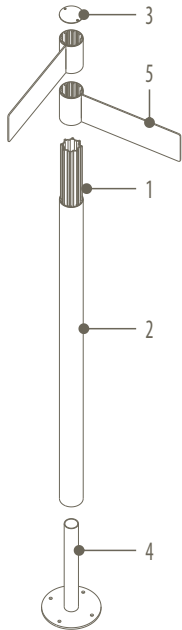
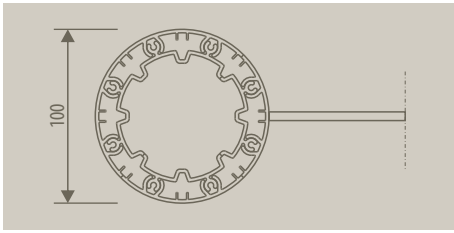


	H = 1200, 1500, 1800, 2100	code
single posts		PE4.94/1
		PE4.94IN/1 Clutch to insert into the concrete

	L = 500, 700	h	code
modular PLATES		120	PE4.120/1

# DRIVE SINGLE POST 100



for outdoor



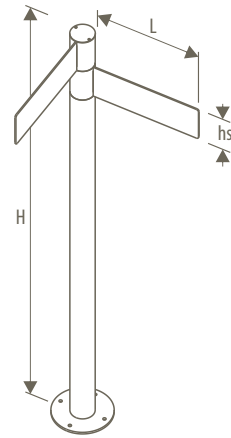
### MATERIALS AND COLOURS

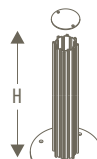


- 1\_ internal post (not in sight) in aluminium
- 2\_ external cover in powder coated aluminium
- 3\_ end cap in powder coated aluminium
- 4\_ zinc plated steel base
- 5\_ Projecting system sign complete of clutch in powder coated aluminium

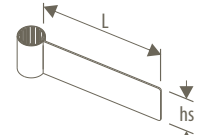



### INSTALLATION

-  Flat base to be fixed to the concrete by using expansion bolts.
-  Clutch to insert into the concrete

### DIMENSIONS AND CODES

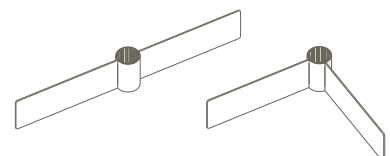


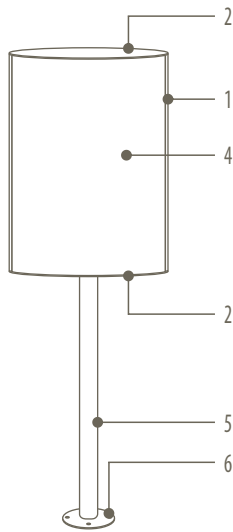
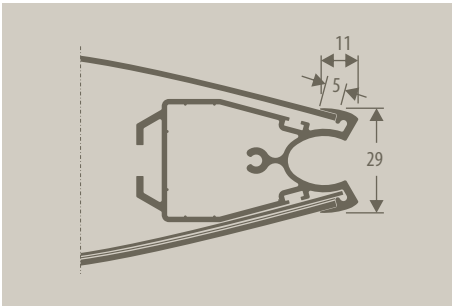
H = 2100, 2500, 3200 mm		h riv = H - hs
single post	 <b>PE4.100/1</b>	 <b>PE1.100</b> External cover of the post
	 <b>PE4.100IN/1</b> Clutch to insert in the concrete	

L = 480, 650, 900 mm		hs = 160, 240, 320 mm
Complete SIGN with coupling	 <b>PE4.101</b>	
	 A	
	 B	
	 C	

### CUSTOM:

- It is possible:
- to realize special sign dimensions
  - to realize special sign shape
  - to have more signs on the same coupling

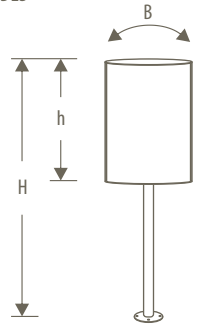




### MATERIALS AND COLOURS

- 1\_ side profiles  
in powder coated anodized aluminium
- 2\_ end caps  
in anodized aluminium
- 3\_ ribs (not in sight)  
in PVC structural foam (Forex)
- 4\_ aluminium panelling
- 5\_ post 80 x 80 mm  
in powder coated or  
silver anodized aluminium
- 6\_ zinc plated steel base

### DIMENSIONS AND CODES



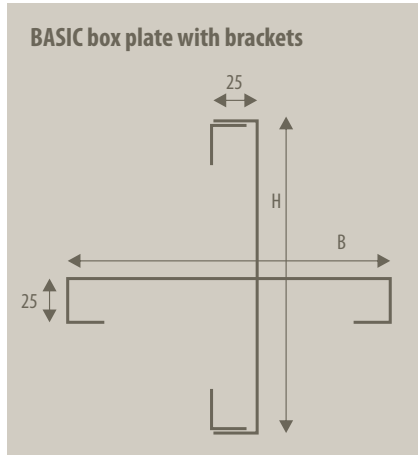
H	h	code
2000	1188	<input type="checkbox"/> A0 WD4.E90120
1800	840	<input type="checkbox"/> A1 WD4.E6090 <input type="checkbox"/> WD4.E9090
1700	594	<input type="checkbox"/> WD4.E6060
		B <input type="checkbox"/> 594 <input type="checkbox"/> 840

Dimensions refer to the panelling.

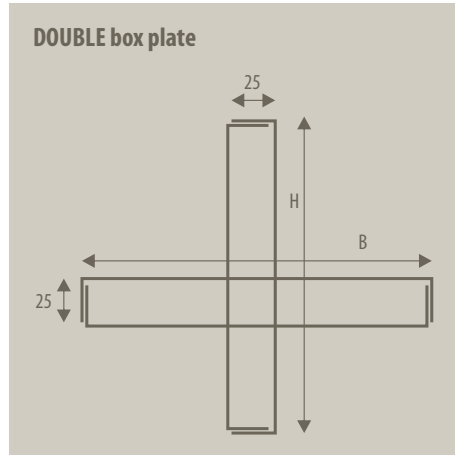
### INSTALLATION

Flat base  
to be fixed to the concrete  
by using expansion bolts.

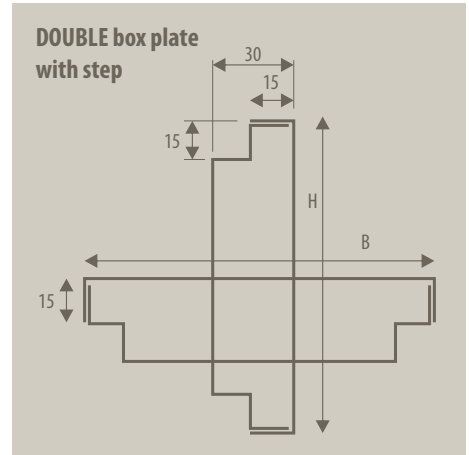




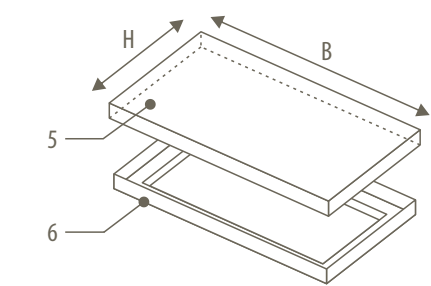
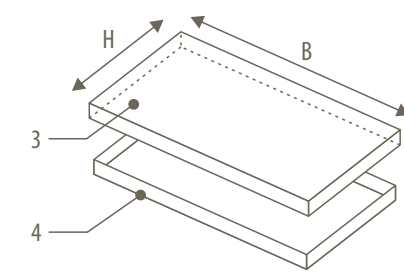
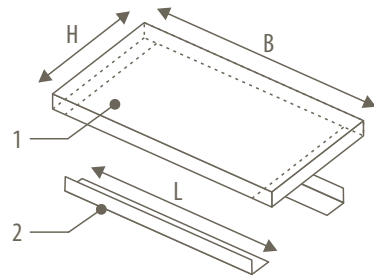
Code: **PS4.S**



Code: **PS4.D**



Code: **PS4.G**



**MATERIALS AND COLOURS**

1\_ upper element  
in powder coated 20/10 Aluminium  
Composite sheets.

2\_ brackets (not in sight)  
in 12/10 milled aluminium

**MATERIALS AND COLOURS**

3\_ upper element  
in powder coated 20/10 Aluminium  
Composite sheets.

4\_ lower element  
in powder coated 20/10 Aluminium  
Composite sheets.

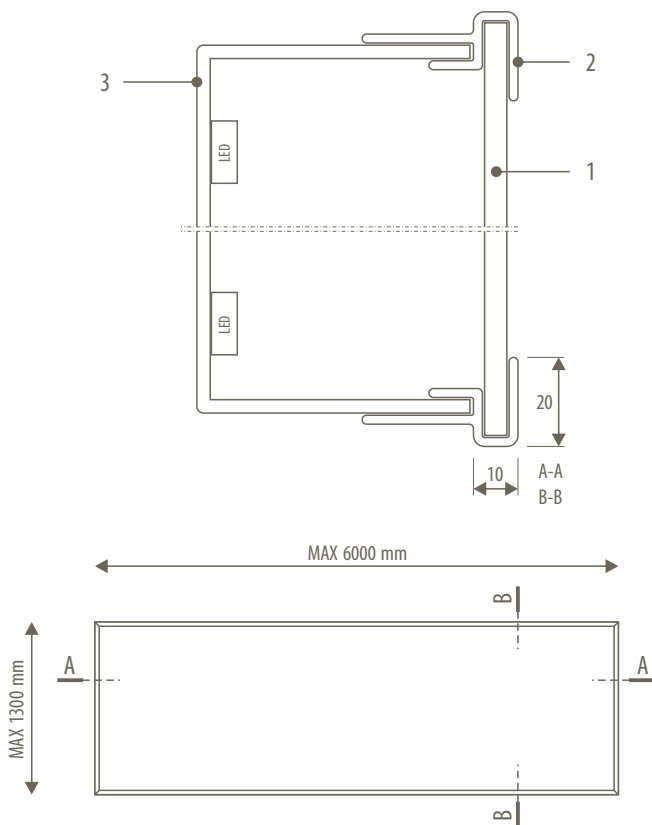
**MATERIALS AND COLOURS**

5\_ upper element  
in powder coated 20/10 Aluminium  
Composite sheets.

6\_ lower element  
in powder coated 20/10 Aluminium  
Composite sheets.







## MATERIALS AND COLOURS

1\_ front panelling  
in opaline acrylic

2\_ frame  
in silver anodized aluminium

3\_ lower box  
in 30/10 silver Aluminium Composite sheets.

## LIGHTING SYSTEM

An internal lighting system with  
low tension LED is supplied with the box.

## FIXING

Wall mounting with  
expansion bolts.





## CURVED:

**TOTEM** CURVED (type P) 28

**MIRAGE** MONOLITH 29

**WIDE** MONOLITH 30

**VELA** MONOLITH 31

**WIDE** ON POST 32

**VELA** ON POST 33

## FLAT:

**TOTEM** FLAT (type S) 34

**AQUA** and **ELIX** ON POST 36

**AQUA** MONOLITH and ON POSTS 37

**GLASS-INOX** MONOLITH 38

**FREE STANDING SUPPORTS** 39

**FREE STANDING FOR INDOOR**

# TOTEM CURVED

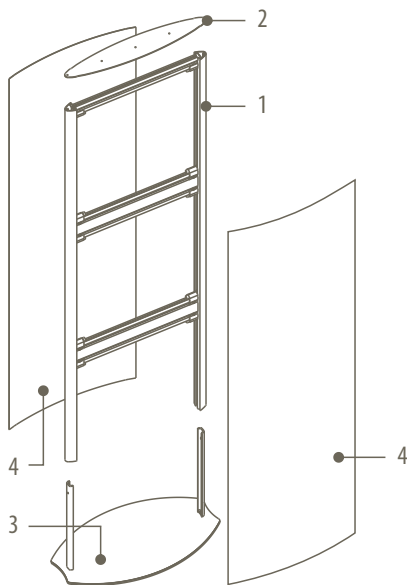
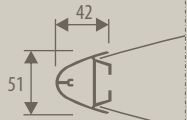
free standing - for indoor

Version with:



**ALUMINIUM** panelling  
for permanent graphic

Type  
**P**



## MATERIALS AND COLOURS

- 1\_ vertical extrusions  
in powder coated aluminium
- 2\_ top cap in Aluminium Composite  
colour silver metallic
- 3\_ free standing shaped base  
in zincd steel covered with  
aluminium sheet
- 4\_ aluminium panelling

## DIMENSIONS AND CODES



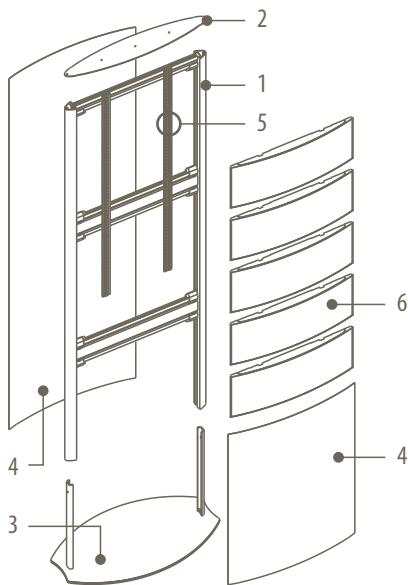
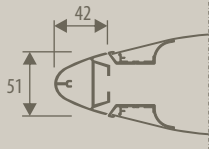
H	code	
2500	TM4.P60250	
2100	TM4.P45210	TM4.P60210
1800	TM4.P45180	TM4.P60180
1600	TM4.P45160	
	L 538	688
base:	PI3.560	PI3.720



Version with:



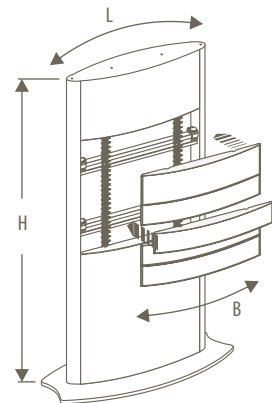
Mirage **MODULES** with **ALUMINIUM** panelling for permanent graphic



## MATERIALS AND COLORS

- 1\_ vertical extrusions in powder coated aluminium
- 2\_ top cap in Aluminium Composite colour silver metallic
- 3\_ free standing shaped base in zincd steel covered with aluminium sheet
- 4\_ aluminium panelling
- 5\_ aluminium back guide with nylon couplings
- 6\_ Mirage modules composed by:
  - profiles in anodized or painted coated aluminium
  - aluminium panelling 7/10
  - end caps in polycarbonate + abs with steel pins
    - silver RAL 9006
    - ash grey 007
    - black 085

## DIMENSIONS AND CODES



H	code	
2100	MR4.ML45210	MR4.ML60210
1800	MR4.ML45180	MR4.ML60180
1600	MR4.ML45160	
L	538	688
B	450	600
base:	PI3.560	PI3.720

Starting from the base models, the monolith may be customized by adding Mirage modules. For the available dimensions of modules see «Mirage wall plates» in the section «curved lines».



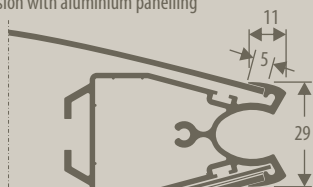
# WIDE CURVED MONOLITH

free standing - for indoor

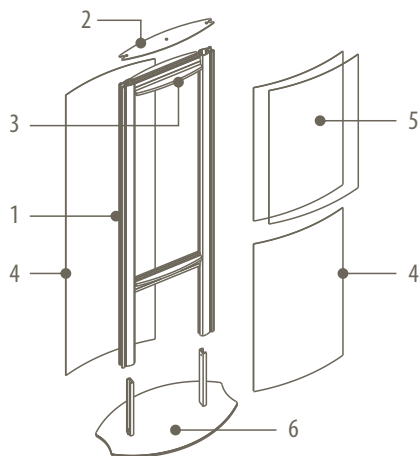
Version with:

- ALUMINIUM panelling for permanent graphic
- PAPER insert + front opening

version with aluminium panelling



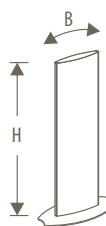
version with paper



## MATERIALS AND COLOURS

- 1\_ side profiles in silver anodized or powder coated aluminium
- 2\_ end caps in anodized aluminium
- 3\_ ribs in PVC structural foam (Forex)
- 4\_ aluminium panelling
- 5\_ poster display made of:
  - front protection in non-reflective transparent polyester (PETG) th. 1,5 mm
  - background panel in aluminium 7/10
- 6\_ free standing shaped base in zinc steel and covered with aluminium sheet

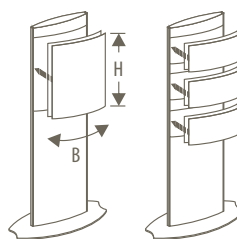
## DIMENSIONS AND CODES



H	code	MONOLITH
2100	WD4.ML42210	WD4.ML60210
1800	WD4.ML42180	WD4.ML60180
1600	WD4.ML42160	WD4.ML60160
1400	WD4.ML42140	
B	420	594
base:	PI3.560	PI3.720

Dimensions refer to panelling size.

Starting from the base model the monolith can be customized by adding one or more displays.



H	Poster display
840	<input type="checkbox"/> A1 WD4.6090T
594	<input type="checkbox"/> A2 WD4.4260T <input type="checkbox"/> A2 WD4.6060T
420	<input type="checkbox"/> A2 WD4.4242T <input type="checkbox"/> A2 WD4.6042T
297	<input type="checkbox"/> A3 WD4.4230T
B	420      594

Dimensions refer to paper size.

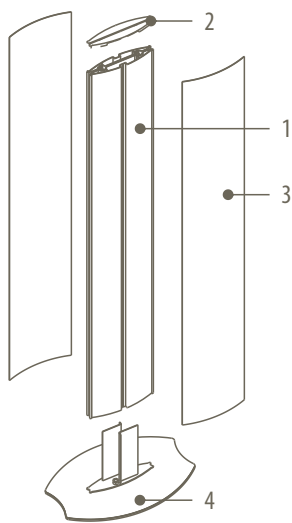
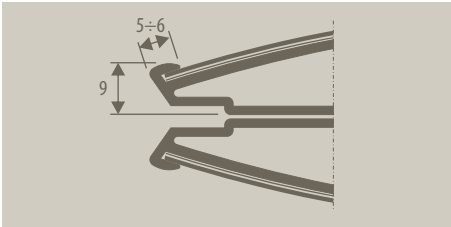
## REPLACEMENT OF GRAPHIC

Through the proper suction pad the front protection and the paper can be removed.



Version with:

- graphic on PAPER + front protection
- Printed PETG panel for permanent graphic



## MATERIALS AND COLOURS

1\_ side profiles  
in silver anodized or  
powder coated aluminium

2\_ end caps  
in polycarbonate + abs  
- silver RAL 9006  
- ash grey 007  
- black 085

3\_a front protection  
(only for version with paper)  
in transparent non-reflective  
polyester (PETG) th. 1 mm

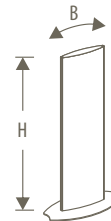
3\_b panelling in transparent  
non-reflective polyester (PETG) th. 1 mm  
covered with digital printing

4\_ free standing shaped base  
in zincd steel and covered  
with aluminium sheet

## DIMENSIONS AND CODE

**Complete the code adding the suffix:**

- **PX** paper insert + front protection
- **GP** Printed PETG panel



H	code
1400	VL4.ML21140
B	210
base:	PI3.320

Dimensions refers to paper or  
panelling size

## REPLACEMENT OF GRAPHIC ON PAPER OR PANNELLING

Through the proper suction pad the panelling,  
the front protection and the paper can be removed.



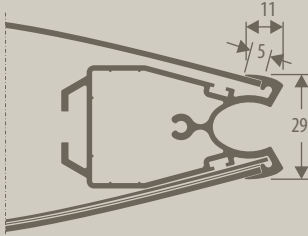
# WIDE SINGLE POST

free standing - for indoor

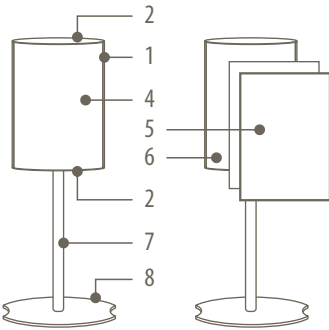
Version with:

- panelling in **ALUMINIUM** for permanent graphic
- PAPER** insert+ front protection

version with aluminium panelling



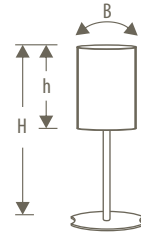
version with paper



## MATERIALS AND COLOURS

- 1\_ side profiles  
in silver anodized or powder coated aluminium
- 2\_ end caps  
in silver anodized aluminium
- 3\_ ribs (not in sight)  
in PVC structural foam (Forex)
- 4\_ aluminium panelling
- 5\_ front protection  
(only for paper insert)  
in transparent non-reflective polyester (PETG) th. 1,5 mm
- 6\_ background panel in aluminium 7/10  
(only for version with paper)
- 7\_ post 80 x 80 mm  
in silver anodized or powder coated aluminium
- 8\_ free standing shaped base  
in zincd steel covered with aluminium sheet

## DIMENSIONS AND CODES



H	h	code	
2000	1188	<input type="checkbox"/> A0	WD4.M90120
1800	840	<input type="checkbox"/> A1	WD4.M6090
1700	594	<input type="checkbox"/>	WD4.M6060

B: 594 (base: PI3.560) and 840 (base: PI3.720)

Dimensions refers to paper or panelling size

paper insert NOT available

## REPLACEMENT OF GRAPHIC ON PAPER

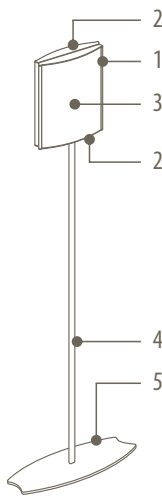
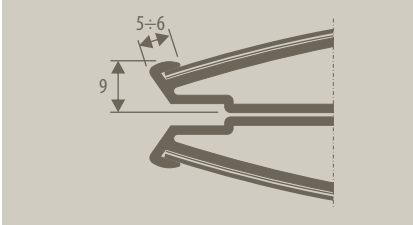
Through the proper sunction pad the front protection and the paper support can be removed.





Version with:

- PAPER** insert + front protection
- panelling in **PETG** or in **ALUMINIUM** for permanent graphic



## MATERIALS AND COLOURS

1\_ side profiles  
in silver anodized or  
powder coated aluminium

2\_ end caps  
in polycarbonate + abs  
- silver RAL 9006  
- ash grey 007  
- black 085

3\_a front protection  
(only for version with paper)  
in transparent non-reflective polyester  
(PETG) th. 1 mm

3\_b Panelling in transparent  
non-reflective polyester (PETG) th. 1 mm  
covered with digital printing.  
Material more flexible than aluminium  
and easier to replace.

3\_c aluminium 5/10 panelling  
- silver RAL 9006  
covered with digital printing  
on transparent vinyl  
We suggest to choose this solution if you like to see  
the aluminium background.

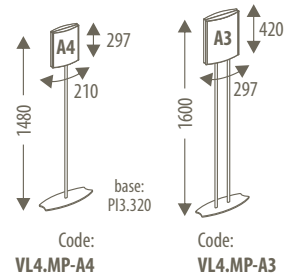
4\_ post 36 x 30 mm in silver anodized or  
powder coated aluminium

5\_ free standing shaped base in zincated steel  
covered with aluminium sheet

## DIMENSIONS AND CODES

**Complete the code adding the suffix:**

- **PX** paper insert + front protection
- **GP** Printed PETG panel
- **AL** aluminium panel covered  
with digital printing on transparent vinyl



## REPLACEMENT OF GRAPHIC ON PAPER OR PANELLING

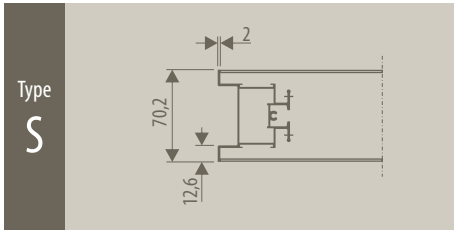
Through the proper suction pad the panelling,  
the front protection and the paper can be removed.



# TOTEM FLAT

free standing - for indoor





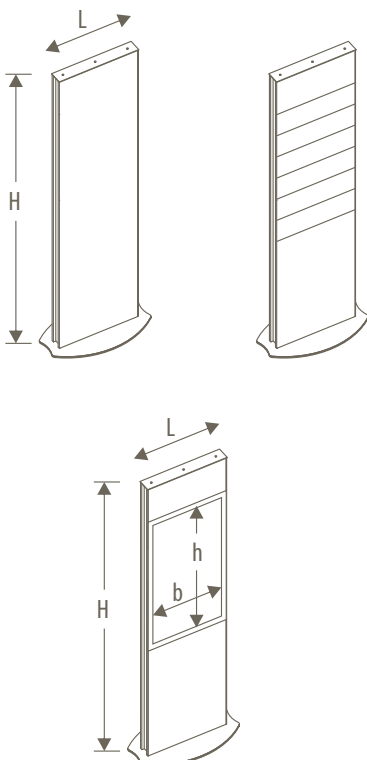
REPLACEMENT OF GRAPHIC ON PAPER

Paper support can be replaced taking off the front protection with the magnetic edge.

CUSTOM

Special combinations between profiles may be designed on demand

DIMENSIONS AND CODES



MATERIALS AND COLOURS

1\_ vertical extrusions in silver anodized aluminium

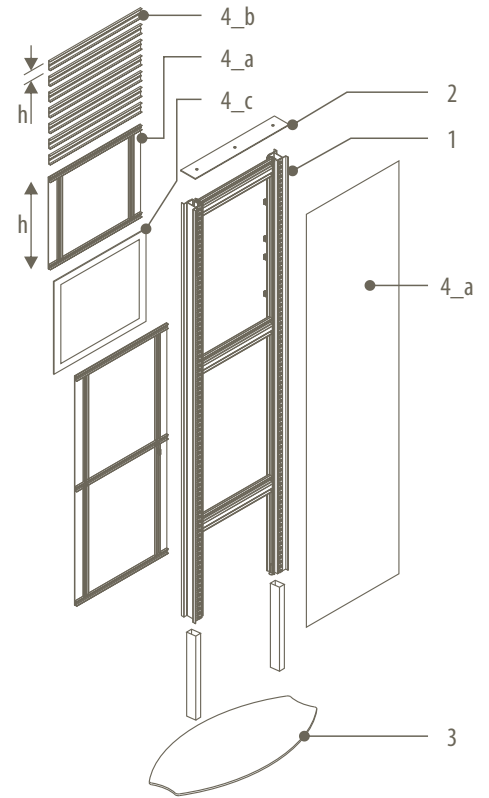
2\_ top cap in Aluminium Composite colour silver metallic

3\_ free standing shaped base in zinced steel covered with aluminium

4\_a panelling in Aluminium Composite sheet with bracing profiles in aluminium on the back (height 100 mm)  
For face sizes over 3 meters in height, two or more panels may be required.

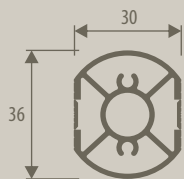
4\_b panelling with aluminium modules h = 20, 40, 60, 80, 120, 160 mm

4\_c poster display composed by:  
- magnetic front protection in transparent non-reflective polyester (PETG) th. 2 mm complete of «passepartout» and magnetic background  
- iron background



TOTEM	code						
	2100	TM4.S30210	TM4.S42210	TM4.S50210	TM4.S60210		
1800	TM4.S30180	TM4.S42180	TM4.S50180	TM4.S60180	TM4.S70180	TM4.S84180	
1600	TM4.S30160	TM4.S42160	TM4.S50160				
	L	UNI 30	UNI 42	poster 50	UNI 60	poster 70	UNI 84
Panelling:		340	463	543	637	743	883
Base:		PI3.320	PI3.560	PI3.720	PI3.720	PI3.950	PI3.950
Paper:	h	297	420	500	594	700	840
	b						
	1188						□ A0 TM4.S-84120T
	1000						TM4.S-70100T
	840				□ A1 TM4.S-6084T		TM4.S-8484T
	700			TM4.S-5070T		TM4.S-7070T	
	594		□ A2 TM4.S-4260T		TM4.S-6060T		□ A1 TM4.S-8460T
	500			TM4.S-5050T		TM4.S-7050T	
	420	□ A3 TM4.S-3042T	TM4.S-4242T		□ A2 TM4.S-6042T		
	297	TM4.S-3030T	TM4.S-4230T				
	210	□ A4 TM4.S-3021T					

Poster display height may be customized.



post 36



## MATERIALS AND COLOURS

1\_ post 36  
in silver anodized aluminium  
with satinized acrylic endcaps

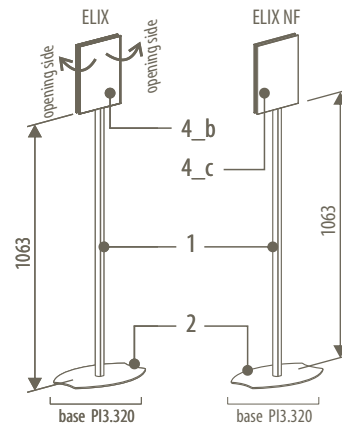
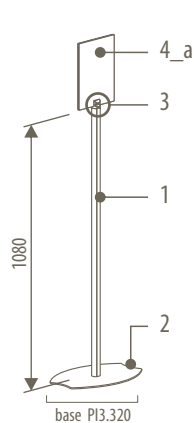
2\_ free standing shaped base  
in zinc plated steel covered with  
aluminium sheet

3\_ clamps  
in polished aluminium

4\_a Aqua plate  
composed by a panel th. 4+4 mm  
in transparent acrylic

4\_b Elix plate  
(for details see page 50)  
available with two different closing panels:  
- in Aluminium Composite sheet th. 2 mm  
- front protection (only for paper insert)  
in transparent non-reflective polyester (PETG) th. 2 mm

4\_c Elix NF plate  
(for details see page 54)  
with panelling in Aluminium Composite sheet th. 2 mm



Available one sided or double sided

plate size	single post AQUA	single post ELIX
A3 portrait		EL4.MP-A3
A4 portrait	AQ4.MP-A4	EL4.MP-A4
A5 portrait	AQ4.MP-A5	

## TAMPER-PROOF SYSTEM and REPLACEMENT OF THE GRAPHIC

The plate is fixed to the free standing support through a clamp. To take it off from the support it is necessary to open the screw on the back of the clamp, to separate the two plexiglass panels and remove the paper.

## Complete the code adding the suffix:

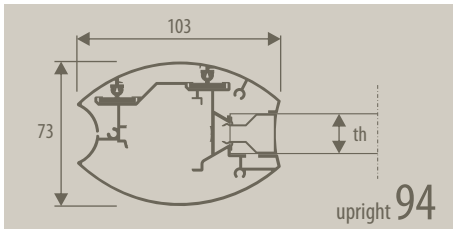
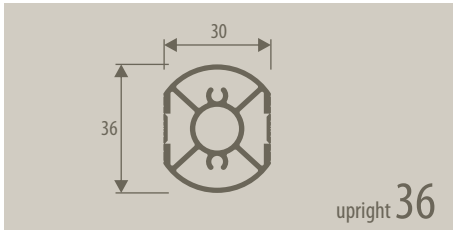
- **PX** Elix plate paper insert
- **DB** Elix plate with Aluminium Composite panel
- **NF** Elix NF plate with Aluminium Composite panel

To have the tamper-proof system (available only for Elix) also add this code:

+ **SAM** tamper-proof system requested

## TAMPER-PROOF SYSTEM and REPLACEMENT OF THE GRAPHIC

See:  
- page 53 Elix plates  
- page 54 Elix NF plates



## MATERIALS AND COLOURS

1\_a post 36  
in silver anodized aluminium  
with satinized acrylic endcaps

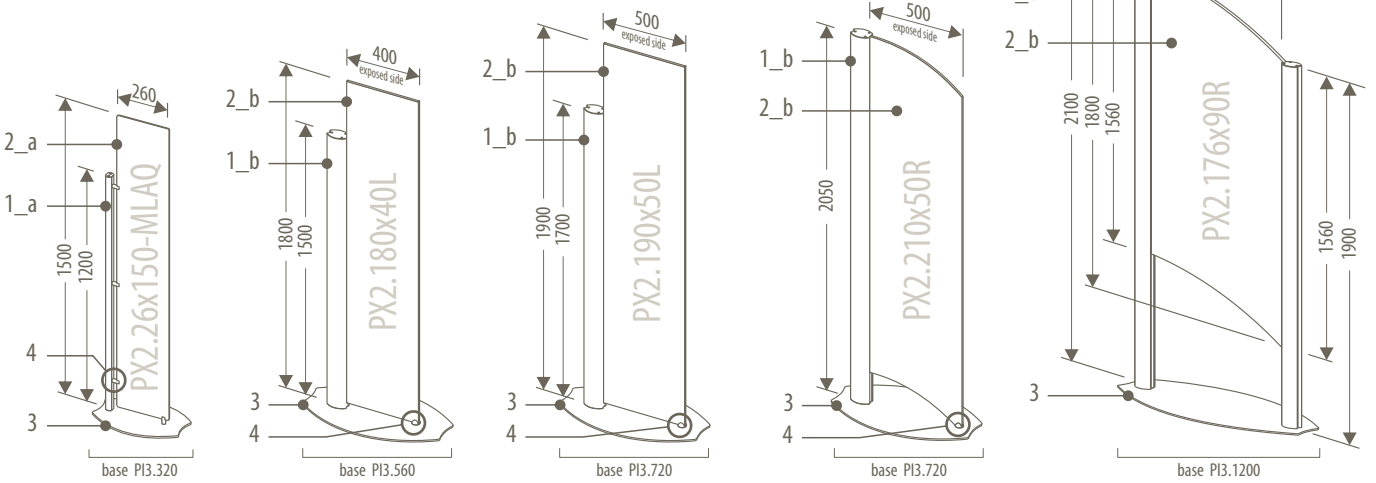
1\_b post 94  
in silver anodized aluminium  
with satinized acrylic endcaps

2\_a transparent acrylic  
panel th. 6 mm

2\_b transparent acrylic  
panel th. 15 mm

3\_ free standing shaped base  
in zincd steel covered  
with aluminium sheet

4\_ clamps in aluminium with  
silver anodized finishing



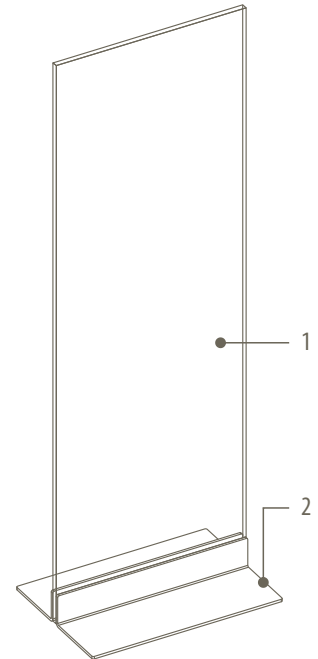
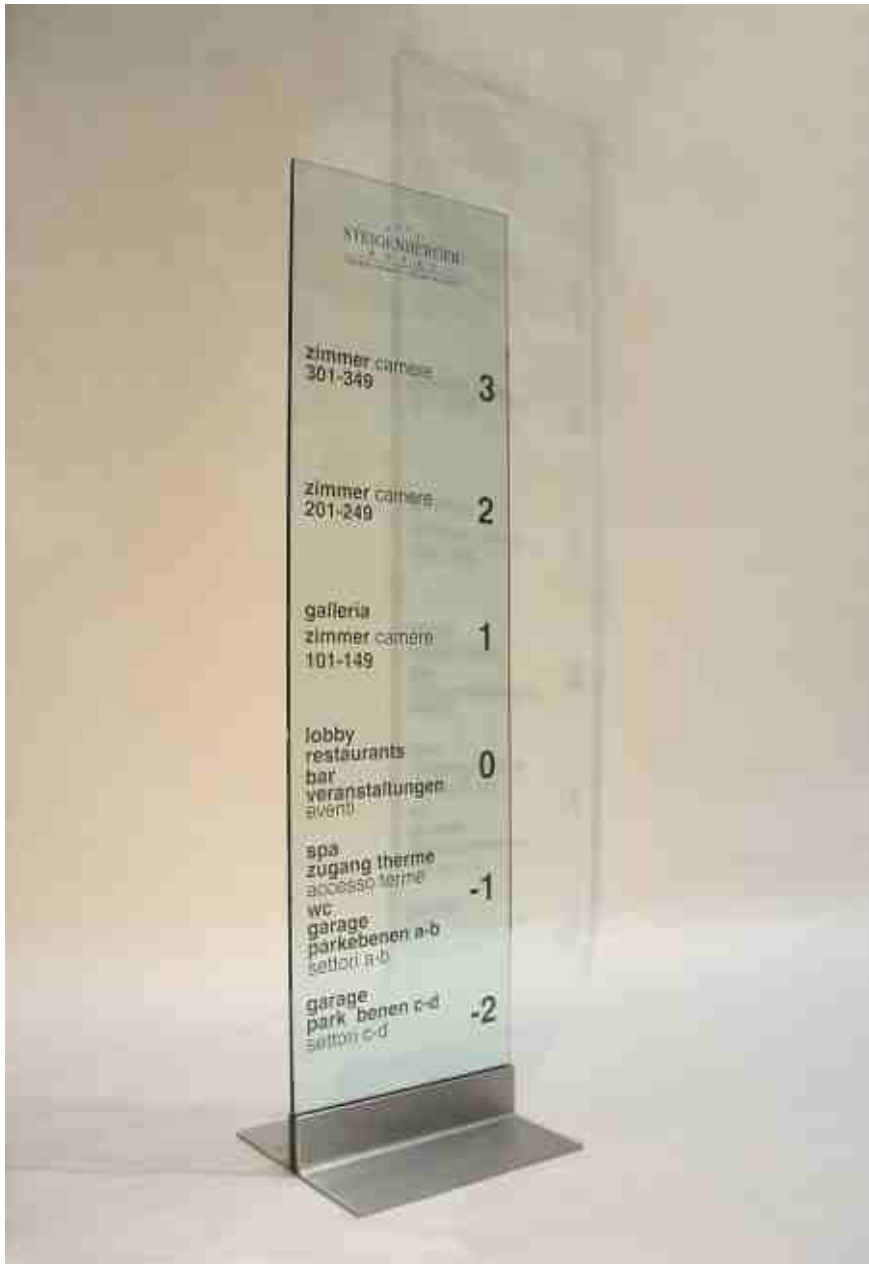
monolith				on post
code:	AQ4.ML-26150	AQ4.D40180	AQ4.D50190	AQ4.D50210
				AQ4.D90180



# GLASS-STAINLESS STEEL MONOLITH

38

free standing - for indoor

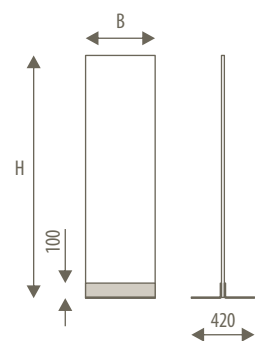


## MATERIALS AND COLOURS

1\_ panelling  
in transparent glass th. 15 mm  
ground and hardened

2\_ free standing base  
in satinized stainless steel

## DIMENSIONS AND CODES



H	code
2000	VT4.75200
1800	VT4.58180
1600	VT4.46160
B	460 580 750

Dimensions refer to  
glass panel size



## MATERIALS AND COLOURS

**1\_a** post 36  
in silver anodized or powder coated aluminium  
with satinized acrylic endcaps

**1\_b** post  
in silver anodized or powder coated aluminium  
with black nylon endcaps

**2\_** see Microforo displaystand  
(for details see page 78)

**3\_a** free standing round base Ø 440 mm  
in powder coated steel  
- texturized anthracite  
- texturized silver

**3\_b** free standing shaped base  
in zinc plated steel covered with  
aluminium sheet

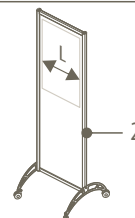
*Where more stability is requested,  
it is available, only for round bases,  
an additional ballasting hidden plate in zinc plated steel.*

## DIMENSIONS AND CODES

complete POSTS (plate excluded)

code

			<b>PI4.200</b>
			<b>PI4.201</b>
			<b>PI4.300</b>
			<b>PI4.301</b>
			<b>PI4.440</b>
			<b>PI4.441</b>
			<b>PI4.442</b>
			<b>PI4.443</b>
			<b>PI4.701</b>
			<b>PI4.900</b>
			<b>PI4.901</b>



Displaystands  
with feet:

Displaystands  
on wheels:

L max 500

**EX4.F2-60180**

**EX4.F2-60180R**

L max 650

**EX4.F2-75180**

**EX4.F2-75180R**





**WIDE** (for outdoor and for indoor):

WALL MOUNTED 42

PROJECTING and SUSPENDED 43

**MIRAGE** (for indoor):

WALL MOUNTED 44

PROJECTING and SUSPENDED 45

**VELA** (for indoor):

WALL MOUNTED and TABLE STANDS 46

PROJECTING and SUSPENDED 47

# CURVED lines

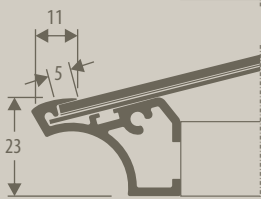
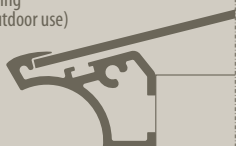
# WIDE WALL MOUNTED

for outdoor and indoor

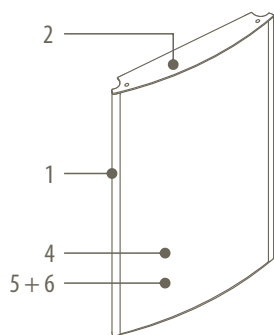
Version with:

- ALUMINIUM panelling for permanent graphic
- PAPER insert

aluminium panelling  
(for indoor and outdoor use)



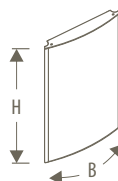
paper insert  
(for indoor use only)



## MATERIALS AND COLOURS

- 1\_ profiles in silver anodized or powder coated aluminium
- 2\_ end caps in silver anodized aluminium
- 3\_ ribs (not in sight) in PVC structural foam (Forex)
- 4\_ aluminium panelling
- 5\_ front protection (only for paper insert) in non-reflective transparent polyester (PETG) th. 1,5 mm
- 6\_ background (only for paper insert) in aluminium 7/10

## DIMENSIONS AND CODES



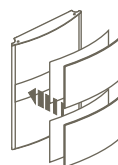
Complete the code adding the suffix:

- AL aluminium panelling
- PX paper insert
- paper insert NOT available

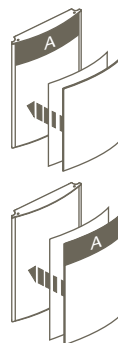
H	code					WALL MOUNTED PLATES	
1500	WD4.42150	WD4.60150	WD4.90150				
1188	WD4.42120	WD4.60120	WD4.90120	WD4.120120			
840	WD4.3090	WD4.4290	WD4.6090	WD4.9090	WD4.12090		
594	WD4.3060	WD4.4260	WD4.6060	WD4.9060	WD4.12060		
420	WD4.3042	WD4.4242	WD4.6042	WD4.9042			
297	WD4.3030	WD4.4230	WD4.6030	WD4.9030			
	B 297	420	594	840	1188		

Dimensions refer to paper or panelling size.

Special panels (no more than 2100 mm in height) on demand.



- Starting from the base model the panel may be personalized by:
- dividing it in strips
  - applying an header in aluminium on the background
  - applying a vinyl header on the front protection



H	paper insert space		
840			WD4.6090T
594			WD4.6060T
420	WD4.3042T	WD4.4242T	WD4.6042T
297	WD4.3030T	WD4.4230T	
210	WD4.3021T		
	B 297	420	594

Dimensions refer to paper size.



## REPLACEMENT OF GRAPHIC ON PAPER

Through the proper suction pad the front protection and the paper can be removed.

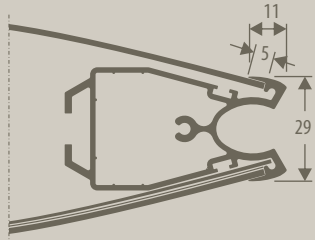
## FIXING

Wall mounting with expansion bolts.

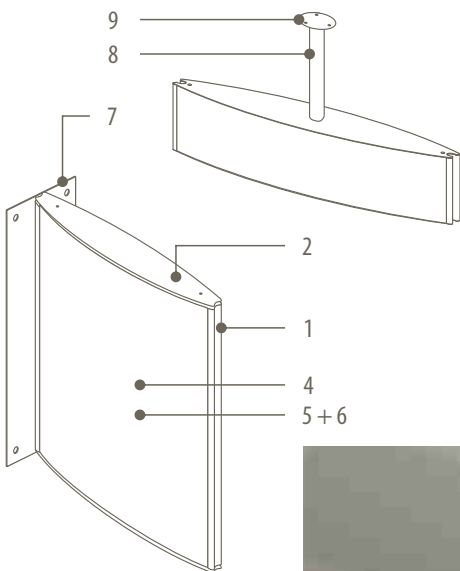
Version with:

- ALUMINIUM** panelling for permanent graphic
- PAPER** insert

aluminium panelling (for indoor and outdoor use)



paper insert (only for indoor)



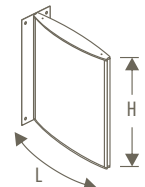
## MATERIALS AND COLOURS

- 1\_ profiles in silver anodized or powder coated aluminium
- 2\_ end caps in silver anodized aluminium
- 3\_ ribs (not in sight) in PVC structural foam (Forex)
- 4\_ aluminium panelling
- 5\_ front protection (only for paper insert) in transparent non-reflective polyester (PETG) th. 1,5 mm
- 6\_ background (only for paper insert) in aluminium 7/10
- 7\_ projecting coupling in silver anodized aluminium
- 8\_ post 40 x 40 mm in powder coated aluminium
- 9\_ base Ø 100 mm in zinc steel

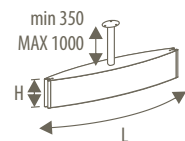
## DIMENSIONS AND CODES

Complete the code adding the suffix:

- **AL** aluminium panelling
- **PX** paper insert



H	code <b>PROJECTING SYSTEM</b>	
594	<input type="checkbox"/> A2 WD4.B4260	<input type="checkbox"/> WD4.B6060
420	<input type="checkbox"/> WD4.B4242	<input type="checkbox"/> A2 WD4.B6042
B	420	594



H	code <b>SUSPENDED</b>		
594	<input type="checkbox"/> A1 WD4.R9060		
420		WD4.R9042	WD4.R12042
297	WD4.R6030	WD4.R9030	WD4.R12030
210	WD4.R6021	WD4.R9021	WD4.R12021
B	594	840	1188

Dimensions refer to panelling and paper size  
Special panels (no more than 2100 mm in height) on demand.

paper insert NOT available



## REPLACEMENT OF GRAPHIC ON PAPER

Through the proper junction pad the front protection and the paper can be removed.

## FIXING

- Projecting plates: wall mounting with expansion bolts.
- Suspended plates: ceiling mounting with expansion bolts.

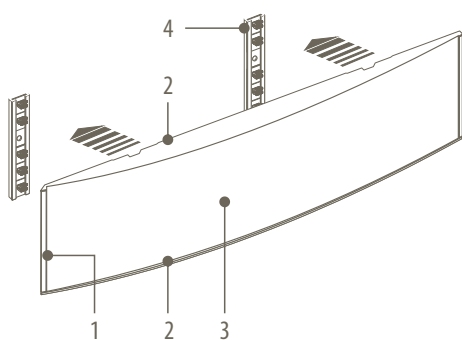
# MIRAGE WALL-MOUNTED

for indoor

Version with:



Mirage **MODULES** with **ALUMINIUM** panels for permanent graphic



## MATERIALS AND COLOURS

1\_ side profiles  
in silver anodized or  
powder coated aluminium

2\_ end caps  
in polycarbonate + abs  
with steel pins  
- silver RAL 9006  
- ash grey 007  
- black 085

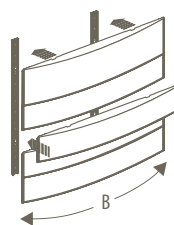
3\_ aluminium 7/10  
panelling

4\_ backguide  
in aluminium with  
nylon couplings

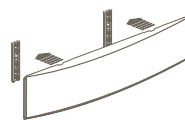
## FIXING

Backguides must be fixed to  
the wall through expansion  
bolts.

## DIMENSIONS AND CODES

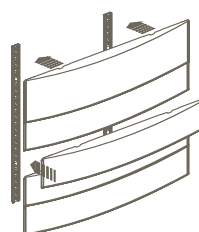


H	code		
300	MR4.4530	MR4.6030	MR4.9030
200	MR4.4520	MR4.6020	MR4.9020
160	MR4.4516	MR4.6016	MR4.9016
120	MR4.4512	MR4.6012	MR4.9012
80	MR4.4508	MR4.6008	MR4.9008
60	MR4.4506	MR4.6006	MR4.9006
B	450	600	900



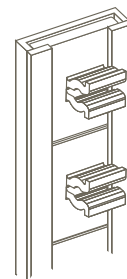
### WALL PLATES

Obtained by coupling one *Mirage* module  
to the backguides fixed to the wall



### WALL PANELS

Obtained by coupling more *Mirage* modules  
to the backguides fixed to the wall

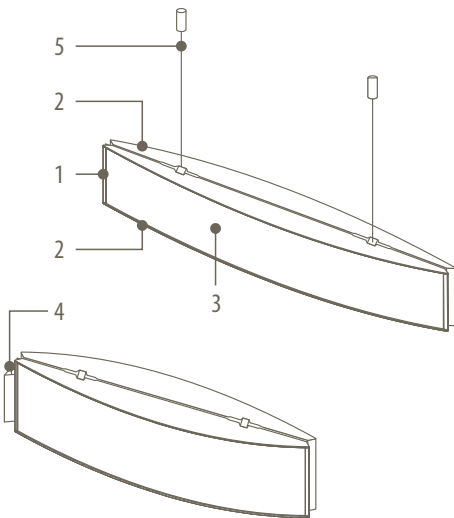
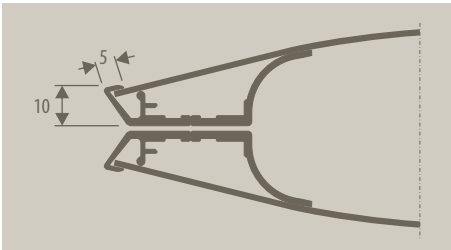


Backguides complete of pins are always  
necessary both for single plates and  
panels.



Version with:

Mirage **MODULES** with **ALUMINIUM** panels for permanent graphic



## MATERIALS AND COLOURS

1\_ side profiles  
in silver anodized or  
powder coated aluminium

2\_ end caps  
in polycarbonate + abs  
with steel pins  
- silver RAL 9006  
- ash grey 007  
- black 085

3\_ aluminium 7/10 panelling

4\_ projecting system coupling  
in aluminium  
- powder coated black  
- silver anodized

5\_ suspension kit  
composed by:  
- plasticized steel cables  
- automatic suspending clamps  
in chromium brass  
- nylon multiclips for  
opposite plates

## FIXING

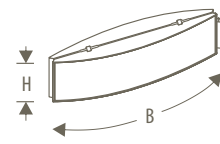
- Projecting plates:  
wall mounting with expansion bolts.

- Suspended plates:  
ceiling mounting with expansion bolts.

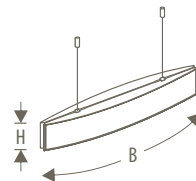
## DIMENSIONS AND CODES

### FLAG SYSTEM

Obtained by putting together two Mirage plates  
complete of a wall fixing support.



H	code
300	MR4.B4530
200	MR4.B4520
160	MR4.B4516
120	MR4.B4512
B	450



### SUSPENDED

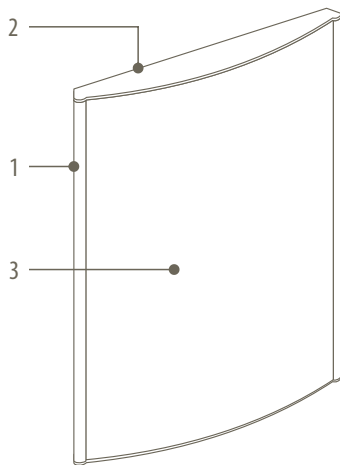
Obtained by putting together two Mirage plates  
which will be assembled hanging from the ceiling.

H	code		
300	MR4.S4530	MR4.S6030	MR4.S9030
200	MR4.S4520	MR4.S6020	MR4.S9020
160	MR4.S4516	MR4.S6016	MR4.S9016
120	MR4.S4512	MR4.S6012	MR4.S9012
80	MR4.S4508	MR4.S6008	MR4.S9008
B	450	600	900



Version with:

- PAPER insert
- PETG or ALUMINIUM panneling for permanent graphic



## MATERIALS AND COLOURS

1\_ side profiles  
in silver anodized or powder coated aluminium

2\_ end caps  
in polycarbonate + abs  
- silver RAL 9006  
- ash grey 007  
- black 085

3\_a front protection  
(only for paper insert)  
in transparent non-reflective polyester (PETG) th. 1 mm

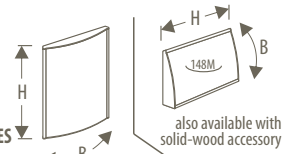
3\_b PETG panel  
covered with digital printing  
(only for version on permanent graphic)  
in transparent non-reflective polyester (PETG) th. 1 mm  
Material more flexible than aluminium and easier to replace.

3\_c aluminium 5/10 panel  
covered with digital printing on transparent vinyl  
(only for version on permanent graphic)  
We suggest to choose this solution if you like to see the aluminium background.

## DIMENSIONS AND CODES

Complete the code adding the suffix:

- PX paper insert
- GP PETG panel covered with digital printing
- AL aluminium panel covered with digital printing on transparent vinyl (not available for long horizontal plates)



Specific size for long horizontal plates	WALL-MOUNTED PLATES					
	H code	VL4.10105	VL4.15105	VL4.21105	VL4.30105	VL4.15M105
1050	VL4.10105	VL4.15105	VL4.21105	VL4.30105	VL4.15M105	
700	VL4.1070	VL4.1570	VL4.2170	VL4.3070	VL4.15M70	
500	VL4.1050	VL4.1550	VL4.2150	VL4.3050	VL4.15M50	
420				<input type="checkbox"/> A3 VL4.A3		
297			<input type="checkbox"/> A4 VL4.A4	<input type="checkbox"/> A4 VL4.3030		
210		<input type="checkbox"/> A5 VL4.A5	<input type="checkbox"/> VL4.2121	<input type="checkbox"/> A4 VL4.3021	<input type="checkbox"/> A5 VL4.15M21	
148	<input type="checkbox"/> A6 VL4.A6	<input type="checkbox"/> VL4.1515	<input type="checkbox"/> A5 VL4.2115	<input type="checkbox"/> VL4.3015	<input type="checkbox"/> VL4.15M15	
105	<input type="checkbox"/> VL4.1010	<input type="checkbox"/> A6 VL4.1510	<input type="checkbox"/> VL4.2110	<input type="checkbox"/> VL4.3010	<input type="checkbox"/> VL4.15M10	
60	<input type="checkbox"/> VL4.1006	<input type="checkbox"/> VL4.1506	<input type="checkbox"/> VL4.2106	<input type="checkbox"/> VL4.3006		
40	<input type="checkbox"/> VL4.1004	<input type="checkbox"/> VL4.1504	<input type="checkbox"/> VL4.2104	<input type="checkbox"/> VL4.3004		
		B 105	148	210	297	148M



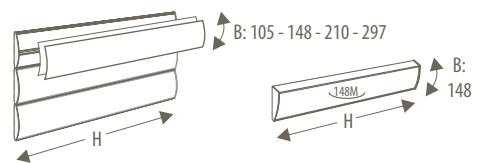
Dimensions refer to paper and panneling size.

Special panels (no more than 2100 mm in height) on demand.

You can join two or more plates by using a double end cap

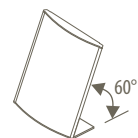
## LONG HORIZONTAL PLATES

The plates may be rotate 90° in order to have a longer horizontal plate with caps on side ends instead of top and bottom.



## TABLE STAND

A TABLE STAND for plates in silver anodized aluminium is also available.



## REPLACEMENT OF GRAPHIC

Through the proper suction pad the panneling, the front protection and the paper can be removed.

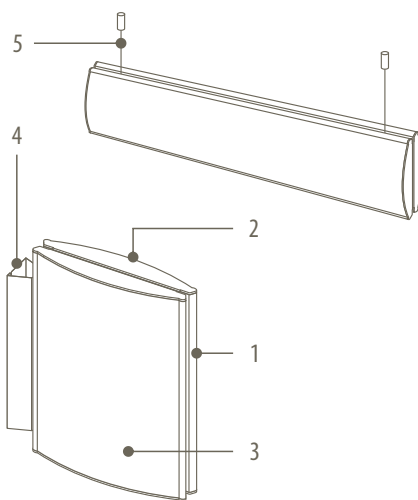
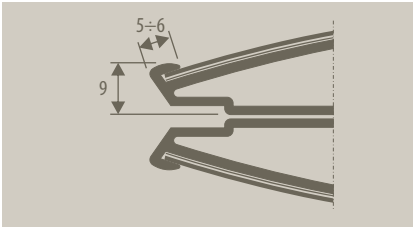
## FIXING

Wall mounting with double-sided tape or expansion bolts.

Version with:

PAPER insert

PETG or ALUMINIUM panneling for permanent graphic



## MATERIALS AND COLOURS

1\_ side profiles  
in silver anodized or powder coated aluminium

2\_ end caps  
in polycarbonate + abs  
- silver RAL 9006  
- ash grey 007  
- black 085

3\_a front protection  
(only for paper insert)  
in transparent non-reflective polyester (PETG) th. 1 mm

3\_b PETG panel  
covered with digital printing  
(only for version on permanent graphic)  
in transparent non-reflective polyester (PETG) th. 1 mm  
Material more flexible than aluminium and so easier to replace.

3\_c aluminium 5/10 panel  
covered with digital printing on transparent vinyl  
(only for version on permanent graphic)  
We suggest to choose this solution if you like to see the aluminium background.

4\_ projecting system coupling  
in aluminium  
- powder coated black  
- silver anodized

5\_ suspension kit  
composed by:  
- plasticized steel cables  
- automatic suspending clamps in chromium brass  
- nylon multiclips for opposite plates

## DIMENSIONS AND CODES

Complete the code adding the suffix:

- **PX** paper insert
- **GP** PETG panel covered with digital print
- **AL** aluminium panel covered with digital print on transparent vinyl

H	code	PROJECTING - VERTICAL TYPE		
		<input type="checkbox"/> A4	<input type="checkbox"/> A5	<input type="checkbox"/> A5
297	VL4.BV2130	<input type="checkbox"/>	<input type="checkbox"/>	<input type="checkbox"/>
210	VL4.BV1521	<input type="checkbox"/>	VL4.BV2121	VL4.BV2115M
148	VL4.BV1515	<input type="checkbox"/>	VL4.BV2115	VL4.BV1515M

B      148                  210                  148M

Dimensions refer to dimension of paper or panneling

H	code	PROJECTING - HORIZONTAL TYPE		
		<input type="checkbox"/> A6	<input type="checkbox"/> A5	<input type="checkbox"/> A5
148	VL4.BZ10115M	<input type="checkbox"/>	VL4.BZ1515M	VL4.BZ2115M
210	VL4.BZ1521	<input type="checkbox"/>	VL4.BZ2121	<input type="checkbox"/>
148	VL4.BZ1015	<input type="checkbox"/>	VL4.BZ1515	VL4.BZ2115
105	VL4.BZ1010	<input type="checkbox"/>	VL4.BZ1510	VL4.BZ2110

L      105                  148                  210

H	code	SUSPENDED	
		L 700	L 1050
148M	VL4.S7015M	<input type="checkbox"/>	VL4.S10515M
297	VL4.S7030	<input type="checkbox"/>	VL4.S10530
210	VL4.S7021	<input type="checkbox"/>	VL4.S10521
148	VL4.S7015	<input type="checkbox"/>	VL4.S10515
105	VL4.S7010	<input type="checkbox"/>	VL4.S10510

-AL not available



## REPLACEMENT OF GRAPHIC

Through the proper suction pad the panneling, the front protection and the paper can be removed.

## FIXING

- Projecting plates:  
wall mounting with expansion bolts.
- Suspended plates:  
ceiling mounting with expansion bolts.





<b>ELIX</b> (for indoor):	
WALL MOUNTED - small size	50
WALL MOUNTED - big size	51
PROJECTING and SUSPENDED	52
GRAPHIC REPLACEMENT and TAMPER-PROOF SYSTEM	53
<b>ELIX NF</b> (for indoor):	
WALL MOUNTED - PROJECTING- SUSPENDED	54
<b>AQUA</b> (for indoor):	
WALL MOUNTED and PROJECTING - pocket	55
WALL MOUNTED and PROJECTING - plate	56
SUSPENDED	57
<b>SEGNO</b> (for indoor):	
WALL MOUNTED	58
SUSPENDED	60
PROJECTING	61
<b>SEGNO LIGHT</b> (for indoor):	
WALL MOUNTED	62
PROJECTING and SUSPENDED	63
<b>SPEED</b> (for indoor):	
WALL MOUNTED	64
PROJECTING and SUSPENDED	65
TABLE <b>STAND</b>	66

# ELIX WALL MOUNTED

small size - for indoor

50

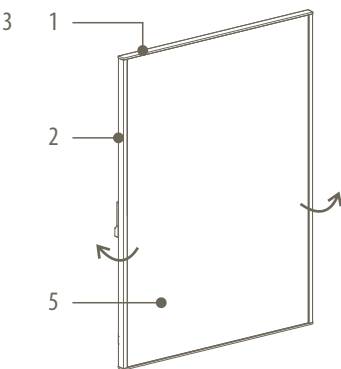
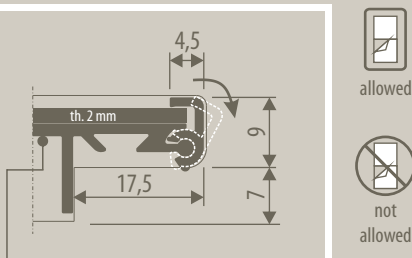
Version with:

**ALUMINIUM COMPOSITE** panel for permanent graphic

**PAPER** insert

**TAMPER-PROOF SYSTEM**

The plate may be divided in **MULTIPLE MODULES** with separate opening profiles.



## MATERIALS AND COLOURS

- 1\_ end caps in polycarbonate + abs silver RAL 9006
- 2\_ opening profiles in silver anodized aluminium
- 3\_ basic profile (not in sight) in aluminium
- 4\_ opening springs (not in sight) in white techno-polymer
- 5\_a Aluminium Composite panel th. 2 mm
- 5\_b front protection (only for paper insert) in transparent non-reflective polyester (PETG) th. 2 mm

**TAMPER-PROOF SYSTEM and REPLACEMENT OF THE PAPER**  
See page 53

## FIXING

Wall mounting with expansion bolts.

## DIMENSIONS AND CODES

### Complete the code adding the suffix:

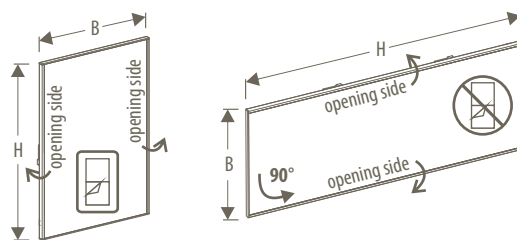
To choose the requested panel:

- **DB** Aluminium Composite sheet panel

- **PX** paper insert

To ask for tamper-proof system also add:

+ **SAM** tamper-proof system requested



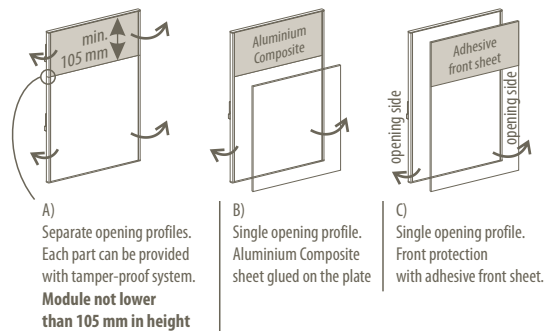
The plates may be rotate 90° in order to have a longer horizontal plate where the opening profiles are on the top and bottom instead of sides

Specific size for long horizontal plates	code					
	H					
1050	EL4.1010S	EL4.1510S	EL4.2110S	EL4.3010S		
700	EL4.1070	EL4.1570	EL4.2170	EL4.3070		
500	EL4.1050	EL4.1550	EL4.2150	EL4.3050		
594					<input type="checkbox"/> A2 EL4.4260-T	
420					<input type="checkbox"/> A3 EL4.3042	
297	EL4.1030	EL4.1530	EL4.2130	EL4.3030	<input type="checkbox"/> A4	
210	EL4.1021	EL4.1521	EL4.2121	EL4.3021	<input type="checkbox"/> A5 <input type="checkbox"/> A4	
148	<input type="checkbox"/> A6 EL4.1015	<input type="checkbox"/> EL4.1515	<input type="checkbox"/> EL4.2115	<input type="checkbox"/> EL4.3015	<input type="checkbox"/> A5	
105	<input type="checkbox"/> EL4.1010	<input type="checkbox"/> EL4.1510	<input type="checkbox"/> EL4.2110	<input type="checkbox"/> EL4.3010	<input type="checkbox"/> A6	
	B	105	148	210	297	420

Dimensions refer to paper or panelling size.  
Special panels (no more than 2100 mm in height) on demand.

Starting from the base model the plate may be personalized by:

- dividing the panel in modules (A and B)
- applying a vinyl header on the front protection (C)



A) Separate opening profiles. Each part can be provided with tamper-proof system. **Module not lower than 105 mm in height**

B) Single opening profile. Aluminium Composite sheet glued on the plate

C) Single opening profile. Front protection with adhesive front sheet.

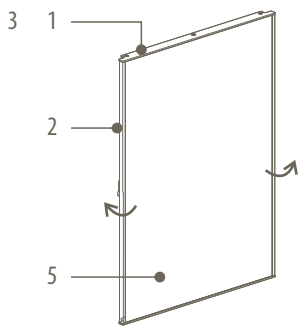
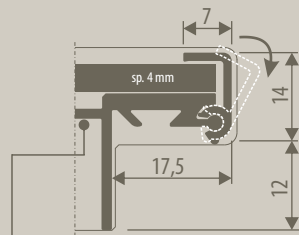


Version with:

- ALUMINIUM COMPOSITE** panel for permanent graphic
- PAPER** insert
- graphic on **MAGNETIC** support for permanent graphic

**TAMPER-PROOF SYSTEM**

The plate may be divided in **MULTIPLE MODULES** with separate opening profiles:



## MATERIALS AND COLOURS

- 1\_ end caps in silver anodized aluminium
- 2\_ opening profiles in silver anodized aluminium
- 3\_ basic profile (not in sight) in aluminium
- 4\_ opening springs (not in sight) in white techno-polymer
- 5\_a panelling in Aluminium Composite th. 3 mm
- 5\_b front protection (only paper insert) in transparent non-reflective polyester (PETG) th. 2 mm + background in Aluminium Composite th. 2 mm
- 5\_c magnetic support + front protection in transparent non-reflective polyester (PETG) th. 2 mm + iron background

## DIMENSIONS AND CODES

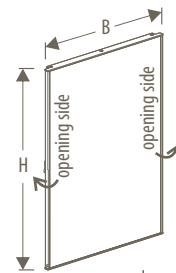
**Complete the code adding the suffix:**

To choose the requested panel:

- **DB** Aluminium Composite sheet panel
- **PX** paper insert
- **M** magnetic panel + iron background + front protection

To ask for tamper-proof system also add:

+ **SAM** tamper-proof system requested



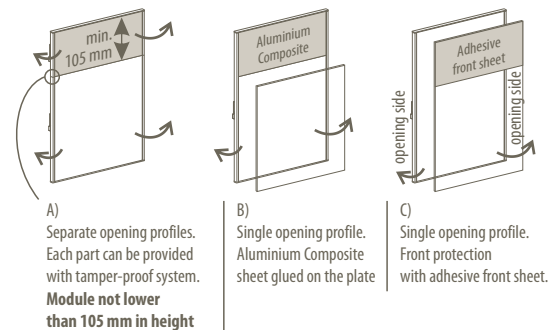
paper insert NOT available

H	code		<input type="checkbox"/> A0	<input type="checkbox"/>	
1188	EL4.42120	EL4.60120	EL4.90120	EL4.120120	
840	EL4.4290	EL4.6090	<input type="checkbox"/> A1	<input type="checkbox"/> A0 EL4.9090 EL4.12090	
594	EL4.4260	EL4.6060	<input type="checkbox"/> A2	<input type="checkbox"/> A1 EL4.9060	
420	EL4.4242	EL4.6042	<input type="checkbox"/>	<input type="checkbox"/> A2	
297	EL4.4230		<input type="checkbox"/> A3		
	B	420	594	840	1188

Dimensions refer to paper or panelling size  
Special panels (no more than 2100 mm in height)  
on demand.

Starting from the base model the plate may be personalized by:

- dividing the panel in modules (A and B)
- applying a vinyl header on the front protection (C)



**TAMPER-PROOF SYSTEM and REPLACEMENT OF THE PAPER**  
See page 53

**FIXING**

Wall mounting with expansion bolts.

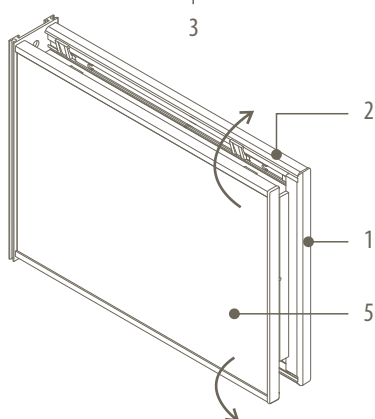
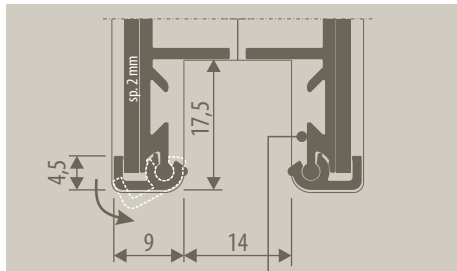


Version with:

**ALUMINIUM COMPOSITE** panel  
for permanent graphic

**PAPER** insert

**TAMPER-PROOF SYSTEM**



## MATERIALS AND COLOURS

- 1\_ end caps  
in polycarbonate + abs  
silver RAL 9006
- 2\_ opening profiles  
in silver anodized aluminium
- 3\_ basic profile (not in sight)  
in aluminium
- 4\_ opening springs  
(not in sight)  
in white techno-polymer
- 5\_a Aluminium Composite  
panel th. 2 mm
- 5\_b front protection  
(only for paper insert)  
in transparent non-reflective  
polyester (PETG) th. 2 mm
- 6\_ projecting coupling  
in aluminium
- 7\_ suspension kit  
cables in plastified steel and  
suspension clamps in  
chromium-plated brass

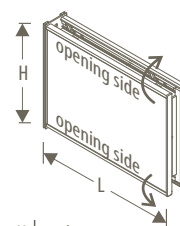
## DIMENSIONS AND CODES

### Complete the code adding the suffix:

To choose the requested panel:

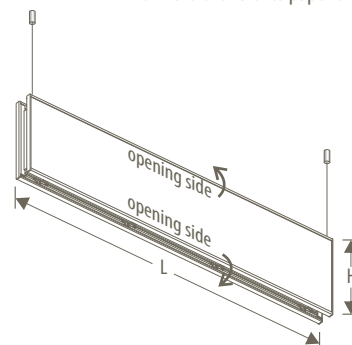
- **DB** Aluminium Composite sheet panel
- **PX** paper insert

To ask for tamper-proof system also add:

+ **SAM** tamper-proof system requestedTamper-proof system is **NOT RECOMMENDED**  
for suspended and projecting plates:

H	code	PROJECTING PLATES			
210		<input type="checkbox"/> A5	<input type="checkbox"/> A4		
	EL4.B1021	EL4.B1521	EL4.B2121	EL4.B3021	
148		<input type="checkbox"/> A6	<input type="checkbox"/> A5		
	EL4.B1015	EL4.B1515	EL4.B2115	EL4.B3015	
105		<input type="checkbox"/> A6			
	EL4.B1010	EL4.B1510	EL4.B2110	EL4.B3010	
L		105	148	210	297

Dimensions refer to paper or panelling size



H	code	SUSPENDED PLATES			
297	EL4.S7030	EL4.S10530	EL4.S12530	EL4.S15030	
210	EL4.S7021	EL4.S10521	EL4.S12521	EL4.S15021	
148	EL4.S7015	EL4.S10515	EL4.S12515	EL4.S15015	
105	EL4.S7010	EL4.S10510	EL4.S12510	EL4.S15010	
L		700	1050	1250	1500

Dimensions refer to paper or panelling size

Special panels (no more than 2100 mm in length)  
on demand.

## TAMPER-PROOF SYSTEM and REPLACEMENT OF THE PAPER

See page 53

## FIXING

Wall or ceiling mounting with expansion bolts.

### REPLACEMENT OF THE GRAPHIC / PANELLING

To remove the front panel, side profiles must be opened.

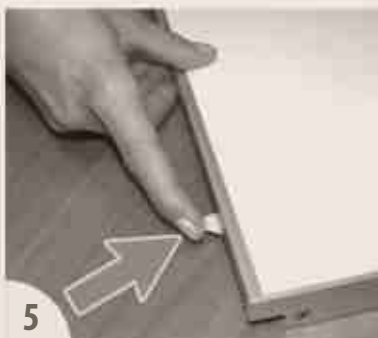
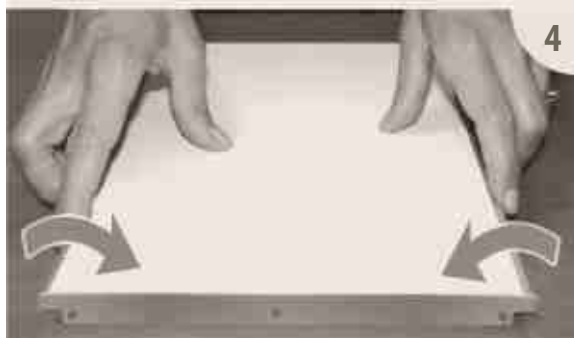
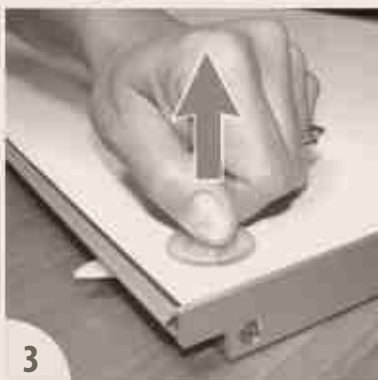
If the plate has a tamper-proof system (SAM), please unlock it before opening the side profiles.

### TAMPER-PROOF SYSTEM (SAM)

A tamper-proof system may be mounted on each size profile to avoid the removal of the front panelling.

When it is closed the system is hidden on the back of the plate so only the authorized personnel is able to unlock it.

The opening/closing of the SAM is done without any particular tool.



1) UNLOCK THE TAMPER-PROOF SYSTEM pushing the lever and letting it appear. If you can't with a finger, use a stiff tool.

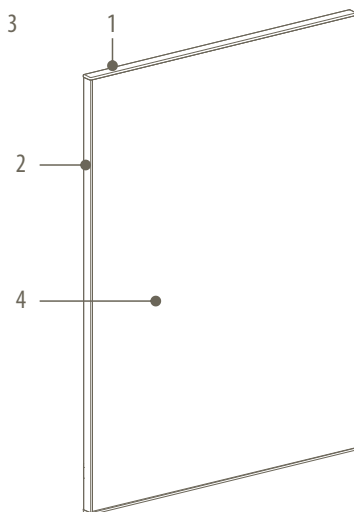
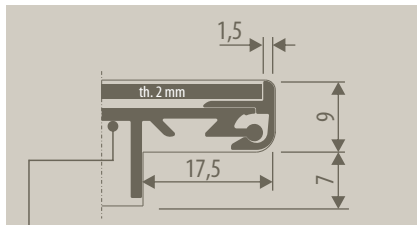
2) OPEN THE PLATE acting on side profiles

3) REMOVE and REPLACE panelling (or paper) with the help of a suction pad

4) CLOSE THE PLATE acting on side profiles

5) LOCK THE TAMPER-PROOF SYSTEM pushing the lever towards the plate and letting it disappear.

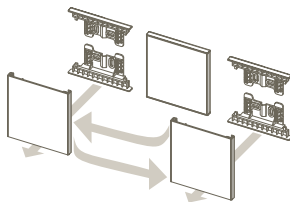
Version with:

panelling in **ALUMINIUM COMPOSITE**  
for permanent graphic

Born to be a simpler version of the Elix plate in order to satisfy applications where:

- paper insert is not requested
- graphic replacement is not necessary

The plate is well clipped to end caps and it is also possible to swap one plate with another one. The removal of the plate, in fact, is not a cause of damage neither for end caps nor for the plate itself; this one can be reused and clipped again in another place.



### MATERIALS AND COLOURS

- 1\_ end caps in polycarbonate + abs silver RAL 9006
- 2\_ side profiles (fixed) in silver anodized aluminium
- 3\_ basic profile (not in sight) in aluminium
- 4\_ panelling in Aluminium Composite th. 2 mm



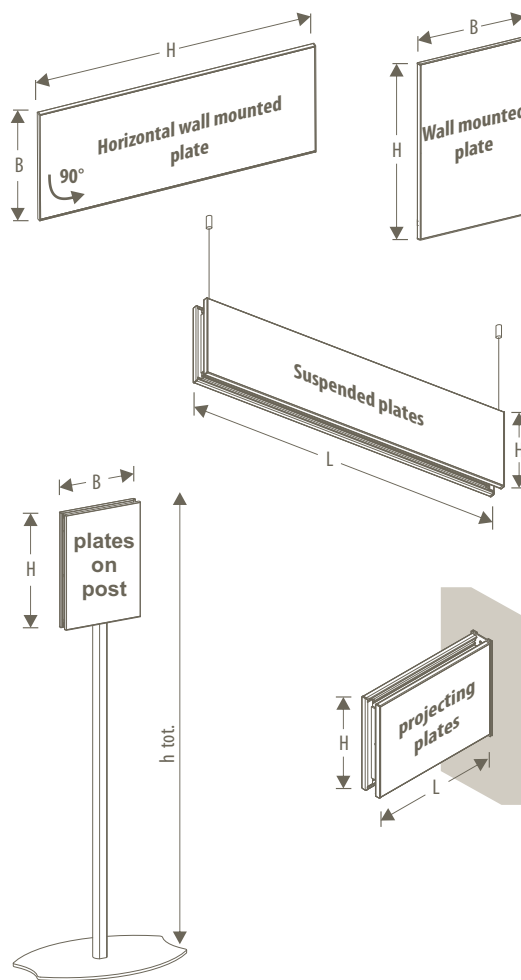
### DIMENSIONS AND CODES

For size and codes see the related type among ELIX plates and **complete the code adding the suffix - NF**

Product types:

<b>Wall mounted plates</b>	"Elix plates <b>WALL MOUNTED - SMALL SIZE</b> " (page 50)
	"Elix plates <b>WALL MOUNTED - BIG SIZE</b> " (page 51)
<b>Projecting plates</b>	"Elix plates <b>PROJECTING</b> " (page 52)
<b>Suspended plates</b>	"Elix plates <b>SUSPENDED</b> " (page 52)
<b>Plates on post</b>	"Elix plates <b>ON POST</b> " (see the chapter «free standing for indoor»)

The plates may be rotate 90° in order to have a longer horizontal plate where the opening profiles are on the top and bottom instead of sides

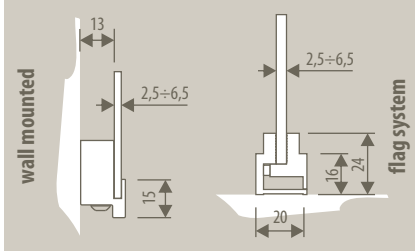


### INSTALLATION

To be fixed with expansion bolts.

Version with:

graphic on **PAPER**



IMMEDIATE REPLACEMENT OF THE GRAPHIC

CLAMP ADJUSTMENT

The clamp may be adjusted to keep plates with thickness between 2,5 mm and 6,5 mm

FIXING

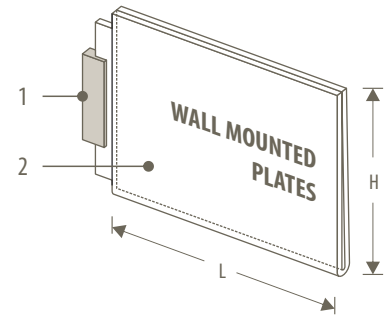
Wall mounting with expansion bolts.

## MATERIALS AND COLOURS

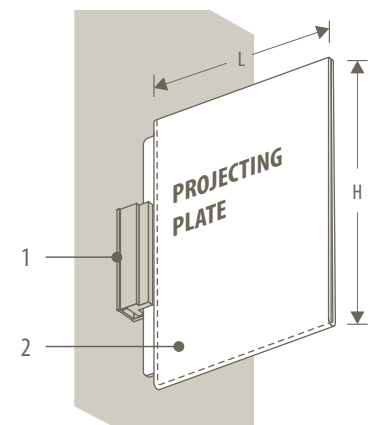
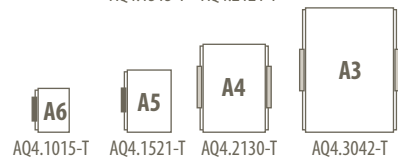
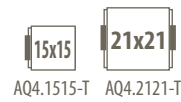
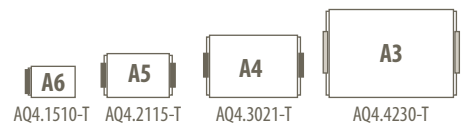
1\_ ADJUSTABLE CLAMPS in silver anodized aluminium length 80 and 140 mm

2\_ POCKET made of transparent acrylic (PMMA) th. 2 mm

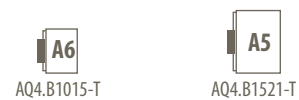
## DIMENSIONS AND CODES



■ clamp 80    ■ clamp 140    **WALL MOUNTED PLATE**



■ clamp 80    **PROJECTING PLATE**



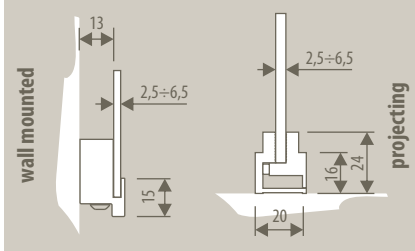
# AQUA PLATE

wall mounted and projecting - for indoor

Version with:

- panelling in **ALUMINIUM COMPOSITE**
- panelling in **ACRYLIC**

**TAMPER-PROOF SYSTEM**



**TAMPER-PROOF SYSTEM and REPLACEMENT OF THE GRAPHIC**

The removal of the front panelling is allowed after opening of the clamp. To open the clamp it is necessary to act on the screw in the lower part.

**FIXING**

Wall mounting with expansion bolts.

**MATERIALS AND COLOURS**

1\_ ADJUSTABLE CLAMPS in silver anodized aluminium length 80 and 140 mm

2\_a panelling in Aluminium Composite sheets silver or white th. 3 mm

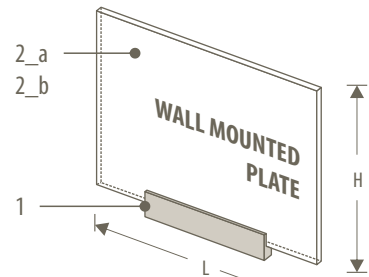
2\_b panelling in transparent acrylic (PMMA) th. 4 mm

**DIMENSIONS AND CODES**

**Complete the code adding the suffix:**

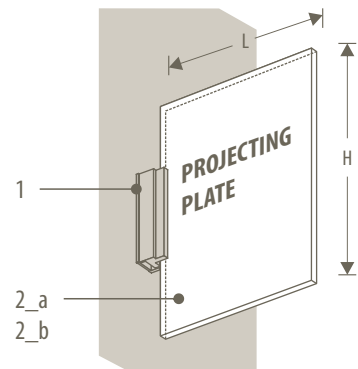
To choose the requested panel:

- **DB** panelling in Aluminium Composite
- **PX** panelling in acrylic



■ clamp 80   ■ clamp 140   **WALL MOUNTED PLATE**

<b>A6</b> AQ4.1510	<b>A5</b> AQ4.2115	<b>A4</b> AQ4.3021	<b>A3</b> AQ4.4230
<b>15x15</b> AQ4.1515	<b>21x21</b> AQ4.2121		
<b>A6</b> AQ4.1015	<b>A5</b> AQ4.1521	<b>A4</b> AQ4.2130	<b>A3</b> AQ4.3042



■ clamp 80   ■ clamp 140   **FLAG SYSTEM PLATE**

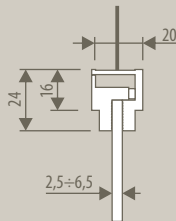
<b>A6</b> AQ4.B1510	<b>A5</b> AQ4.B2115	<b>A4</b> AQ4.B3021	<b>A3</b> AQ4.B4230
<b>15x15</b> AQ4.B1515	<b>21x21</b> AQ4.B2121		
<b>A6</b> AQ4.B1015	<b>A5</b> AQ4.B1521	<b>A4</b> AQ4.B2130	<b>A3</b> AQ4.B3042



Version with:

- panelling in **ALUMINIUM COMPOSITE**
- panelling in **ACRYLIC**

**TAMPER-PROOF SYSTEM**



### TAMPER-PROOF SYSTEM and REPLACEMENT OF THE GRAPHIC

The removal of the front panelling is allowed after opening of the clamp. To open the clamp it is necessary to act on the screw in the lower part.

### FIXING

Ceiling mounting with expansion bolts.

### MATERIALS AND COLOURS

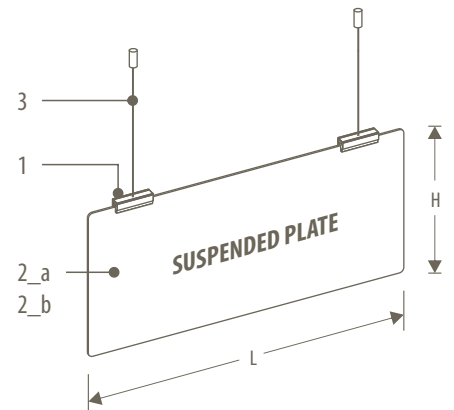
- 1\_ ADJUSTABLE CLAMPS in silver anodized aluminium length 80 mm
- 2\_a PLATE in Aluminium Composite sheets silver or white th. 3 mm
- 2\_b PLATE in transparent acrylic (PMMA) th. 4 mm
- 3\_ suspension kit cables in plastified steel and suspension clamps in chromium-plated brass

### DIMENSIONS AND CODES

**Complete the code adding the suffix:**

To choose the requested panel:

- **DB** panelling in Aluminium Composite
- **PX** panelling in acrylic

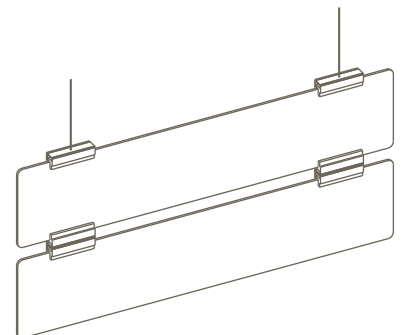


H	code				SUSPENDED PLATE			
500	AQ4.S5050	AQ4.S7550	AQ4.S10050	AQ4.S12550				
400	AQ4.S5040	AQ4.S7540	AQ4.S10040	AQ4.S12540				
300	AQ4.S5030	AQ4.S7530	AQ4.S10030	AQ4.S12530				
200	AQ4.S5020	AQ4.S7520	AQ4.S10020	AQ4.S12520				
160	AQ4.S5016	AQ4.S7516	AQ4.S10016	AQ4.S12516				
120	AQ4.S5012	AQ4.S7512	AQ4.S10012	AQ4.S12512				
80	AQ4.S5008	AQ4.S7508	AQ4.S10008	AQ4.S12508				
L	500	750	1000	1250				

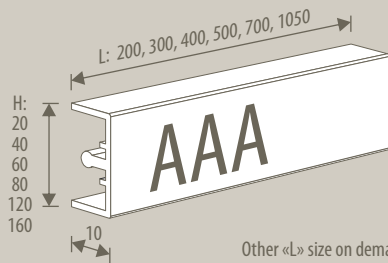
Dimensions refer to paper or panelling size

Special panels (no more than 2100 mm in length) on demand.

**MULTIPLE PLATES** (We recommend limiting the use of this solution)

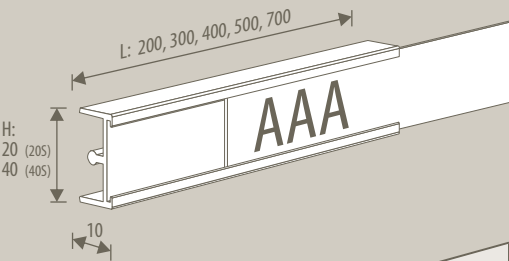


## SEGNO MODULE (MODULAR PLATES)

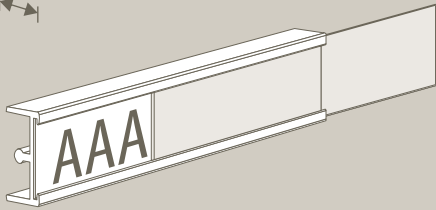


1\_a

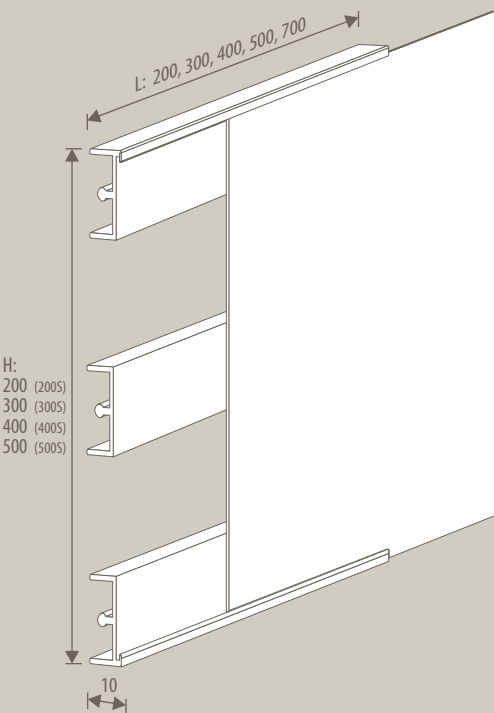
Also available size (L x H) :  
 80 x 80, 80 x 120  
 120 x 80, 120 x 120  
 160 x 160  
 Other «L» size on demand (no more than 2100 mm)



1\_b



1\_c



1\_d

## MATERIALS AND COLOURS

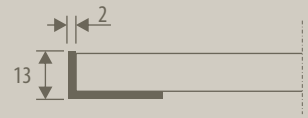
1\_a segno module  
 silver anodized or powder  
 coated aluminium

1\_b segno module  
 silver anodized or powder  
 coated aluminium  
 with aluminium sheet

1\_c segno module  
 silver anodized or powder  
 coated aluminium  
 with front protection  
 (only for paper insert)  
 in non-reflective transparent  
 polyester (PETG) th. 0,5 mm

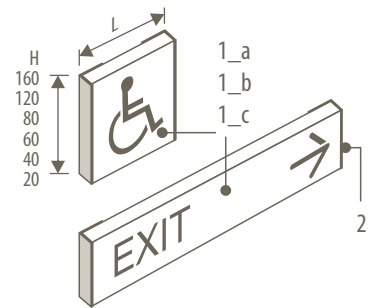
1\_d segno module  
 silver anodized or powder  
 coated aluminium  
 with aluminium sheet

## WALL MOUNTED PLATES



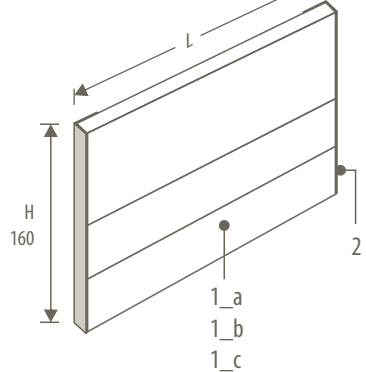
### SINGLE wall mounted plates

composed by a modular plate



### MULTIPLE wall mounted plates

composed by several modular plates



## MATERIALS AND COLOURS

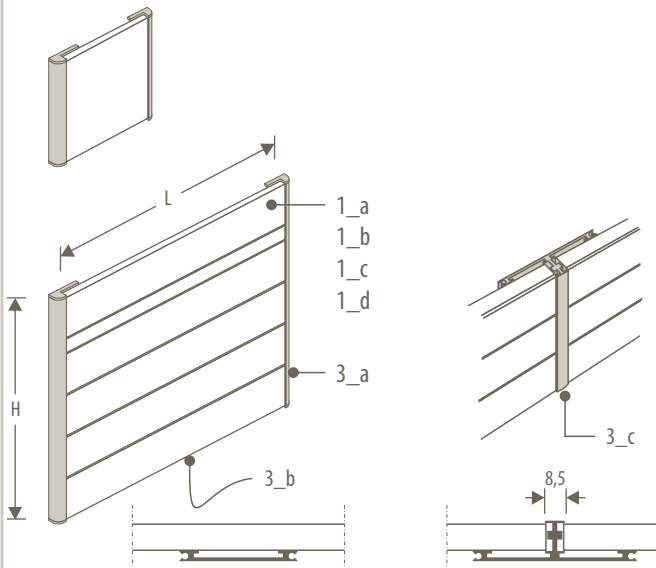
2\_ end cap in black nylon  
 with couplings

## FIXING

Wall mounting with expansion bolts.



## WALL MOUNTED PANEL with round side guide



### MATERIALS AND COLOURS

3\_a round side guide  
in silver anodized or powder coated  
aluminium complete of couplings

3\_b central guide (not in sight)  
in aluminium complete of  
couplings

For big panels (more than 600 mm width)  
this guide is fixed on the back of the panel  
(not in sight)

3\_c double central guide  
in aluminium complete of  
couplings

For panels made of multiple columns

### FIXING

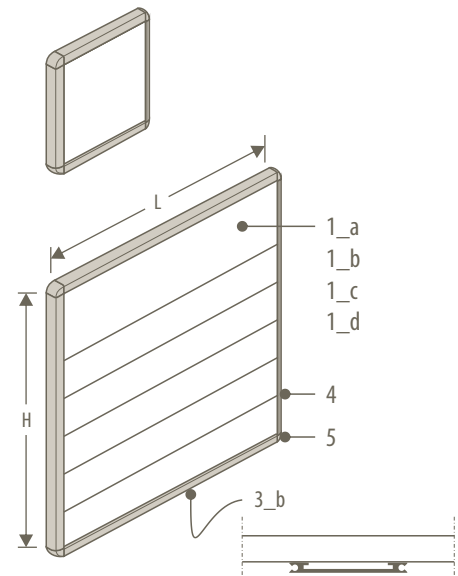
Wall mounting  
with expansion bolts.

## WALL MOUNTED PANEL with frame



For SMALL panels (frame "SL")

For BIG panels ("three-ways" frame)



### MATERIALS AND COLOURS

4\_ frame  
in silver anodized or powder coated  
aluminium complete of couplings

5\_ corners for frame  
in nylon color

- silver RAL 9006
- ash grey 007\*
- black 085

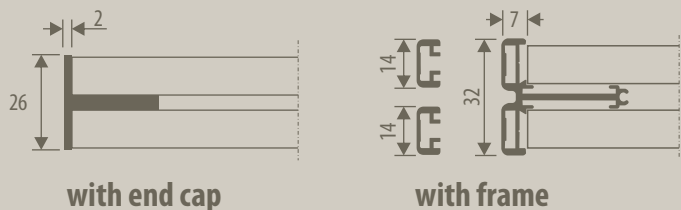
\* not available for «three-ways» system frame

### FIXING

Wall mounting  
with expansion bolts.



## SUSPENDED PLATE



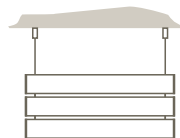
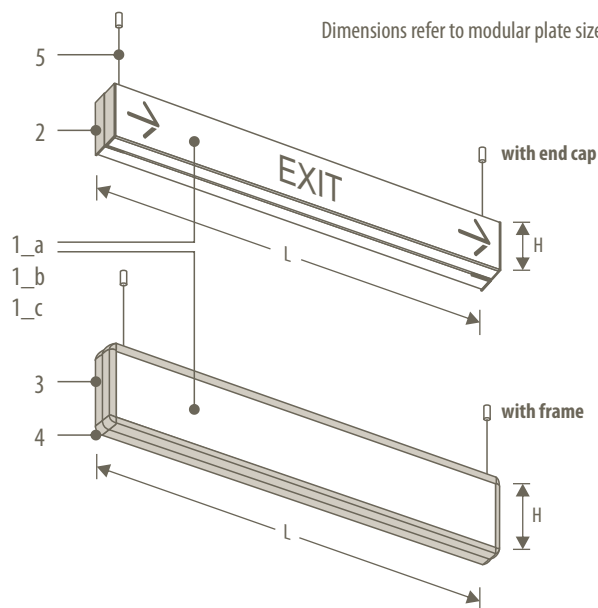
## DIMENSIONS AND CODES

Complete the code adding the suffix:

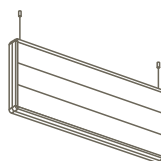
- T with end cap
- C with frame

H	SUSPENDED PLATES			
code				
160	SE4.S7016	SE4.S8016	SE4.S10516	SE4.S12516
120	SE4.S7012	SE4.S8012	SE4.S10512	SE4.S12512
80	SE4.S7008	SE4.S8008	SE4.S10508	SE4.S12508
60	SE4.S7006	SE4.S8006	SE4.S10506	SE4.S12506
L	700	800	1050	1250

Dimensions refer to modular plate size



Multiple plates can be mounted on the same cable by separating them with a spacer.



When the sign is composed of multiple modular plates it is possible to have a single frame with all plates inserted or more frames for each plate.

## MATERIALS AND COLOURS

1\_a/b/c segno module see box «SEGNO MODULE (MODULAR PLATES)» page 58

2\_ end cap in black nylon with couplings

3\_ frame in silver anodized or powder coated aluminium complete of couplings

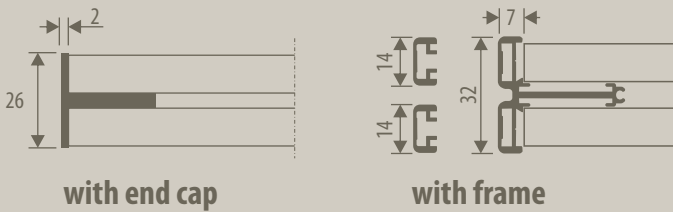
4\_ corners for frame in nylon color  
- silver RAL 9006  
- ash grey 007  
- black 085

5\_ suspension kit cables in plastified steel and suspension clamps in chromium-plated brass

## FIXING

Ceiling mounting with expansion bolts.

## PROJECTING PLATE



with end cap

with frame



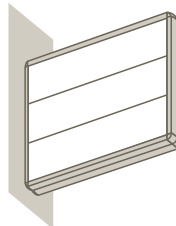
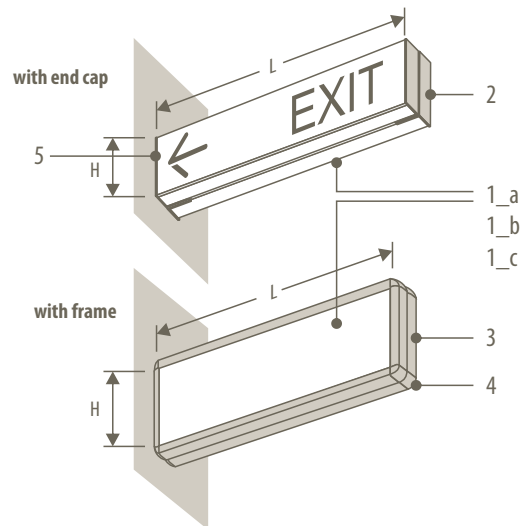
## DIMENSIONS AND CODES

Complete the code adding the suffix:

- T with end cap
- C with frame

H	code						PROJECTING PLATES
160		SE4.B1616	SE4.B2016	SE4.B2516	SE4.B3016	SE4.B4016	
120	SE4.B1212	SE4.B1612	SE4.B2012	SE4.B2512	SE4.B3012	SE4.B4012	
80	SE4.B1208	SE4.B1608	SE4.B2008	SE4.B2508	SE4.B3008	SE4.B4008	
60			SE4.B2006	SE4.B2506	SE4.B3006	SE4.B4006	
L	120	160	200	250	300	400	

Dimensions refer to modular plate size



When the sign is composed of multiple plates it is possible to have a single frame with all plates inserted.

## MATERIALS AND COLOURS

1\_a/b/c segno module  
see box «SEGNO MODULE  
(MODULAR PLATES)»  
page 58

2\_ end cap  
in black nylon  
with couplings

3\_ frame  
in silver anodized or powder  
coated aluminium  
complete of couplings

4\_ corners for frame  
in nylon color  
- silver RAL 9006  
- ash grey 007  
- black 085

5\_ projecting coupling  
in black powder coated aluminium

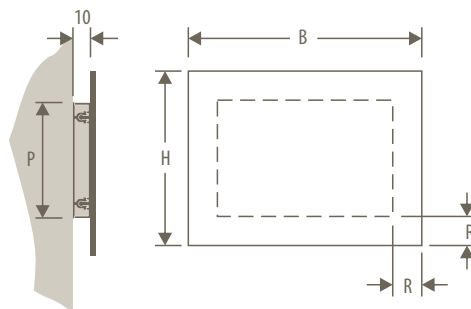
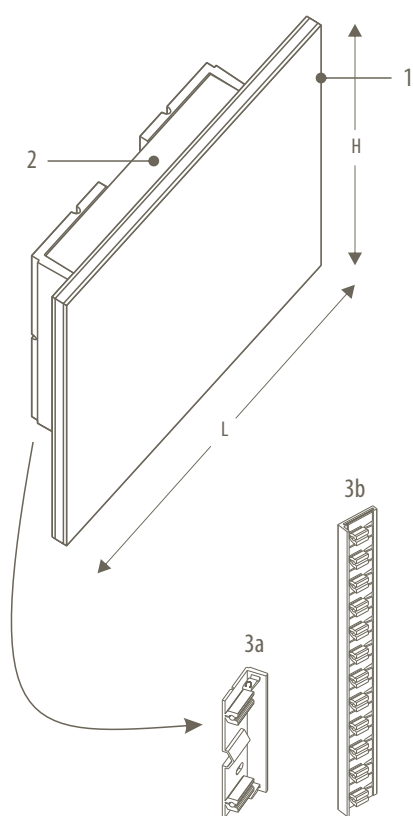
## FIXING

Wall mounting with  
expansion bolts.

# SEGNO light WALL MOUNTED

for indoor

## DIMENSIONS AND CODES



H	P	R	WALL MOUNTED PLATES										
500	50												
3b	400	40											
	300	30											
	200	160	20										
3a	160	120	20	SH4.1216	SH4.1616	SH4.2016	SH4.3016	SH4.4016	SH4.5016	SH4.7016	SH4.10516		
	120	80	20	SH4.0812	SH4.1212	SH4.1612	SH4.2012	SH4.3012	SH4.4012	SH4.5012	SH4.7012	SH4.10512	
	80	60	10	SH4.0808	SH4.1208		SH4.2008	SH4.3008	SH4.4008	SH4.5008	SH4.7008	SH4.10508	
	60	40	10				SH4.2006	SH4.3006	SH4.4006	SH4.5006	SH4.7006	SH4.10506	
				L	80	120	160	200	300	400	500	700	1050



## MATERIALS AND COLOURS

1\_ panel in Aluminium Composite sheet th. 3 mm

2\_ back spacer in aluminium

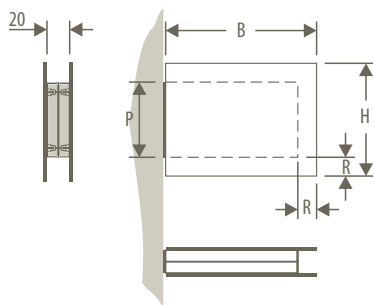
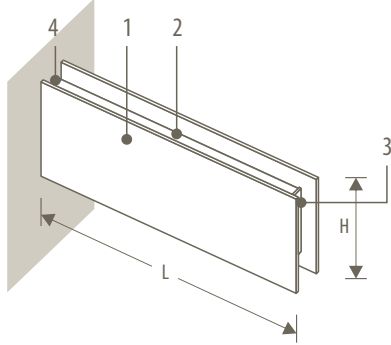
3\_a end caps for spacer in black nylon with couplings

3\_b end caps for spacer in aluminium complete of nylon couplings

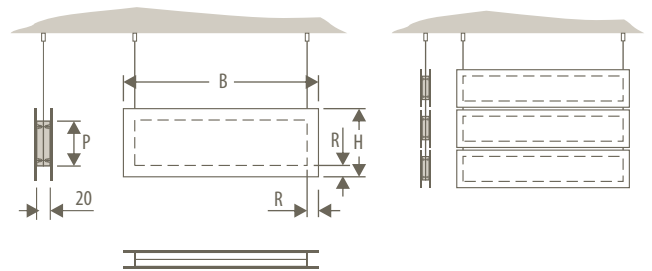
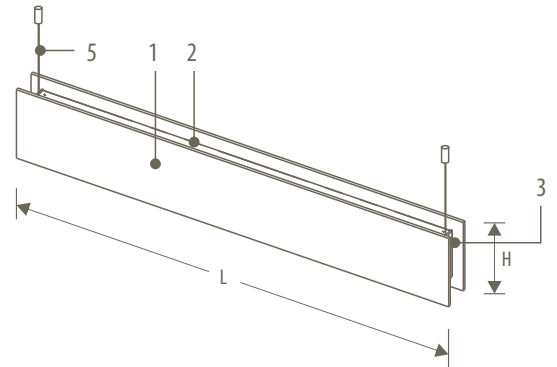
## FIXING

Wall mounting with expansion bolts.

## DIMENSIONS AND CODES



H	P	R	code				PROJECTING PLATES				
200	160	20			SH4.B2020	SH4.B2520	SH4.B3020	SH4.B4020			
160	120	20	SH4.B1216	SH4.B1616	SH4.B2016	SH4.B2516	SH4.B3016	SH4.B4016			
120	80	20	SH4.B1212	SH4.B1612	SH4.B2012	SH4.B2512	SH4.B3012	SH4.B4012			
80	60	10	SH4.B1208	SH4.B1608	SH4.B2008	SH4.B2508	SH4.B3008	SH4.B4008			
			L	120	160	200	250	300	400		



H	P	R	code				SUSPENDED PLATES			
200	160	20	SH4.S7020	SH4.S8020	SH4.S10520	SH4.S12520				
160	120	20	SH4.S7016	SH4.S8016	SH4.S10516	SH4.S12516				
120	80	20	SH4.S7012	SH4.S8012	SH4.S10512	SH4.S12512				
80	60	10	SH4.S7008	SH4.S8008	SH4.S10508	SH4.S12508				
			L	700	800	1050	1250			



## MATERIALS AND COLOURS

1\_ panel in Aluminium Composite sheet th. 3 mm

2\_ back spacer in aluminium

3\_ end caps for spacer in black nylon

4\_ projecting coupling in black aluminium

5\_ suspension kit cables in plastified steel and suspension clamps in chromium-plated brass

## FIXING

Ceiling mounting with expansion bolts.

# SPEED WALL MOUNTED

for indoor

	For <b>SMALL</b> panels (frame "SL")	For <b>BIG</b> panels ("three-ways" frame)	For <b>reinforced BIG</b> panels ("reinforced three-ways" frame)
PAPER insert	PROTECTION in non-reflective transparent polyester th. 0,5 mm BACKGROUND in silver anodized aluminium 7/10 th.	PROTECTION in non-reflective transparent polyester th. 1 mm BACKGROUND in silver anodized aluminium 7/10 th.	PROTECTION in non-reflective transparent polyester th. 1 mm BACKGROUND in structural foam PVC white colour th. 2 or 3 mm (Forex)
PERMANENT graphic	BACKGROUND in coated aluminium 7/10 th.	BACKGROUND in coated aluminium 12/10 th.	BACKGROUND in structural foam PVC white colour th. 2 or 3 mm (Forex) FRONT PROTECTION in transparent acrylic th. 4 mm BACKGROUND in Aluminium Composite th. 3 mm, white colour or silver

Version with:

- PAPER insert + front protection + background
- permanent graphic

## REPLACEMENT OF THE PAPER

Removing the upper profile that is snap-mounted to the frame.

## FIXING

Wall mounting with expansion bolts.

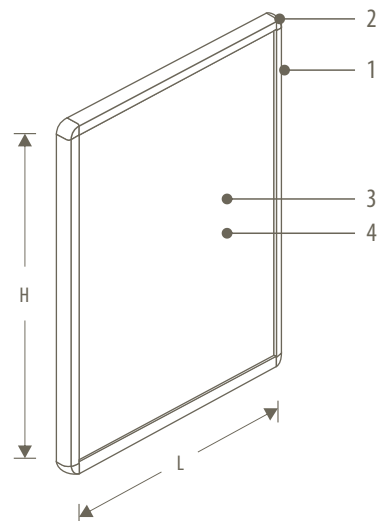


## MATERIALS AND COLOURS

- 1\_ frame  
in silver anodized or powder coated aluminium
- 2\_ corners  
in polycarbonate + abs  
- black 085  
- ash grey 007\*  
- silver RAL 9006
- 3\_ front protection  
(only for paper insert)  
see box
- 4\_ background (see box)  
- in silver anodized or powder coated aluminium  
- in structural foam PVC (Forex)  
- in Aluminium Composite

\* not available for «three-ways» and «reinforced three-ways» frames

## DIMENSIONS AND CODES

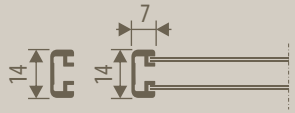
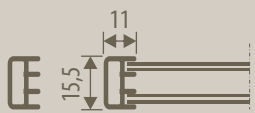


H	code				WALL MOUNTED PLATES		
594				<input type="checkbox"/> A2	<input type="checkbox"/>		
				<input checked="" type="checkbox"/> SP4.A2	<input checked="" type="checkbox"/> SP4.6060		
				<input checked="" type="checkbox"/> SP4.A2XP			
420				<input type="checkbox"/> A3	<input type="checkbox"/>	<input type="checkbox"/> A2	
				<input checked="" type="checkbox"/> SP4.A3	<input checked="" type="checkbox"/> SP4.4242	<input checked="" type="checkbox"/> SP4.6042	
				<input checked="" type="checkbox"/> SP4.A3XP			
297				<input type="checkbox"/> A4	<input type="checkbox"/>	<input type="checkbox"/> A3	
				<input checked="" type="checkbox"/> SP4.A4	<input checked="" type="checkbox"/> SP4.3030	<input checked="" type="checkbox"/> SP4.4230	
				<input checked="" type="checkbox"/> SP4.A4XP			
210				<input type="checkbox"/> A5	<input type="checkbox"/>	<input type="checkbox"/> A4	
				<input checked="" type="checkbox"/> SP4.A5	<input checked="" type="checkbox"/> SP4.2121	<input checked="" type="checkbox"/> SP4.3021	
				<input checked="" type="checkbox"/> SP4.A5XP		<input checked="" type="checkbox"/> SP4.4221	
148	<input type="checkbox"/> A6	<input type="checkbox"/>	<input type="checkbox"/> A5	<input type="checkbox"/>	<input type="checkbox"/>		
	<input checked="" type="checkbox"/> SP4.A6	<input checked="" type="checkbox"/> SP4.1515	<input checked="" type="checkbox"/> SP4.2115	<input checked="" type="checkbox"/> SP4.3015			
105		<input type="checkbox"/> A6	<input type="checkbox"/>	<input type="checkbox"/>	<input type="checkbox"/>		
		<input checked="" type="checkbox"/> SP4.1510	<input checked="" type="checkbox"/> SP4.2110				
	B	105	148	210	297	420	594

Dimensions refer to paper size.  
Other sizes on demand.

- To use «three-ways» frame
- To use «reinforced three-ways» frame



	For <b>SMALL</b> panels (frame "SL")	For <b>BIG</b> panels ("three-ways" frame)
		
graphic ON PAPER	PROTECTION in non-reflective transparent polyester th. 0,5 mm BACKGROUND in silver anodized aluminium 7/10 th.	PROTECTION in non-reflective transparent polyester th. 1 mm BACKGROUND in silver anodized aluminium 7/10 th.
graphic PERMANENT	BACKGROUND in 7/10 different colours aluminium	BACKGROUND in coated aluminium 12/10 th.

Version with:

<input checked="" type="checkbox"/>	graphic on <b>PAPER</b> + front protection + background
<input checked="" type="checkbox"/>	permanent graphic

### REPLACEMENT OF THE PAPER

Removing the upper profile that is snap-mounted to the frame.

**FIXING**  
Ceiling mounting with expansion bolts.

### MATERIALS AND COLOURS

1\_ frame  
in silver anodized or powder coated aluminium

2\_ corners  
in polycarbonate + abs  
- black 085  
- ash grey 007\*  
- silver RAL 9006

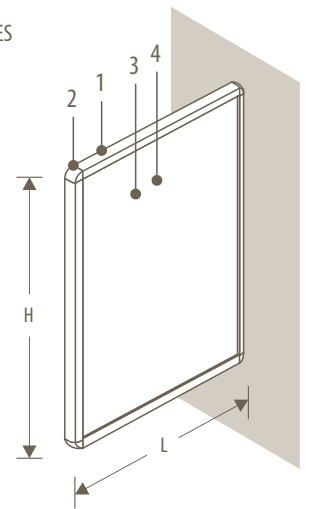
3\_ front protection  
(only for paper insert)  
see picture

4\_ background (see picture)  
in silver anodized or powder coated aluminium

5\_ suspension kit  
cables in plastified steel and suspension clamps in chromium-plated brass

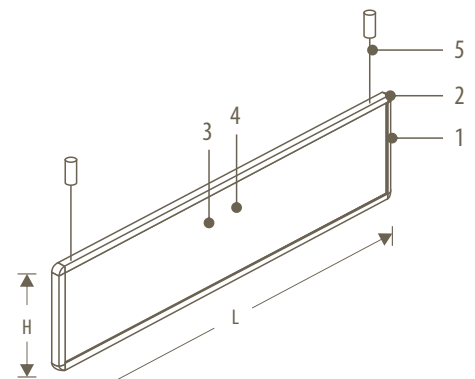
\* not available for «three-way» frame

### DIMENSIONS AND CODES



H	code				PROJECTING PLATES			
297		<input type="checkbox"/> A4	<input type="checkbox"/>		SP4.BA4			SP4.B3030
210		<input type="checkbox"/> A5	<input type="checkbox"/>		SP4.BA5	SP4.B2121		SP4.B3021
148	<input type="checkbox"/> A6	<input type="checkbox"/>	<input type="checkbox"/> A5	<input type="checkbox"/>	SP4.BA6	SP4.B1515	SP4.B2115	
105	<input type="checkbox"/>	<input type="checkbox"/> A6	<input type="checkbox"/>	<input type="checkbox"/>	SP4.B1010	SP4.B1510		
	B	105	148	210	297			

Dimensions refer to paper size.  
Other sizes on demand.



H	code			SUSPENDED PLATES		
420	SP4.S7042	SP4.S10542	SP4.S12542			
297	SP4.S7030	SP4.S10530	SP4.S12530			
210	SP4.S7021	SP4.S10521	SP4.S12521			
148	SP4.S7015	SP4.S10515	SP4.S12515			
105	SP4.S7010	SP4.S10510	SP4.S12510			
	B	700	1050	1250		

Dimensions refer to paper size.  
Other sizes on demand.

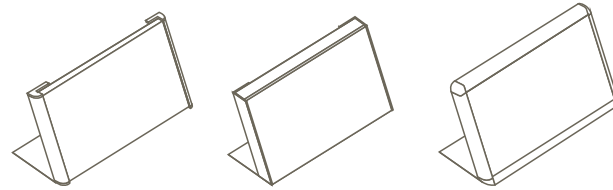
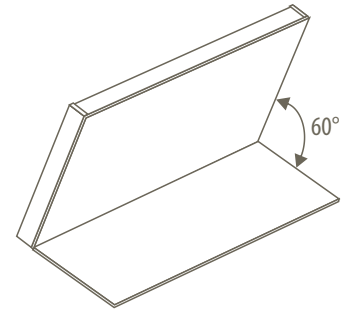
 To use «three-way» frame





## TABLE STAND

A TABLE STAND for plates in silver anodized aluminium is also available.







## **SHOW FOR OUTDOOR:**

BOOK AND FOLDING OPENING SHOWCASES	70
SUPPORT FOR SHOWCASES	71

## **SHOW FOR INDOOR:**

BOOK AND FOLDING OPENING SHOWCASES	72
FREE STANDING SUPPORTS FOR SHOWCASES	73
SLIDING SHOWCASES	74
«ECO» SLIDING SHOWCASES	75
CLICK SHOWCASES	76

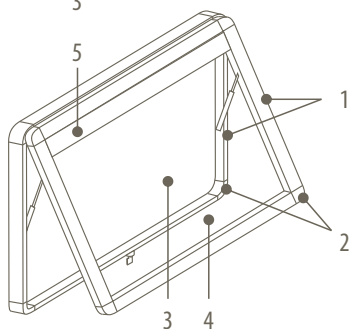
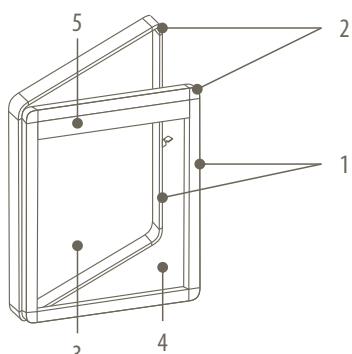
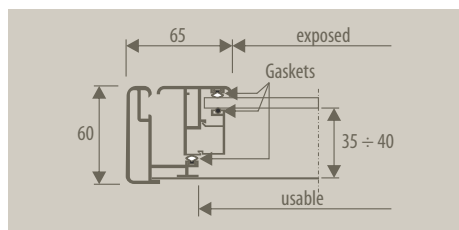
## **EXPO:**

FREE STANDING DISPLAY STANDS	77
TABLE AND WALL DISPLAY STANDS	80
MULTIPURPOSE BAR	81

# SHOW SHOWCASES FOR OUTDOOR

70

with book and folding opening



## MATERIALS AND COLOURS

- 1\_ profiles  
in powder coated aluminium
- 2\_ corners  
in powder coated aluminium
- 3\_ background
  - in steel (to be used with magnets\*)
  - white
  - silver RAL 9006
  - black
  - in cork-rubber (to be used with pins)
  - in aluminium (for vinylic permanent graphic)
- 4\_ protection
  - plexiglass th. 6 mm
  - polycarbonate th. 6 mm
  - stratified glass th. 3 + 3 mm
- 5\_ front sheet h. 100 mm  
in vinylic film  
(necessary with lighting system)

## DIMENSIONS AND CODES

BOOK opening	B	H	code
	350	450	BE4.3545L
	450	350	BE4.4535L
	500	750	BE4.5075L
	750	500	BE4.7550L
		1000	BE4.75100L
		1250	BE4.75125L
	1000	1000	BE4.100100L
	1250	1250	BE4.100125L

FOLDING opening	B	H	code
	1000	750	BE4.10075W
		1000	BE4.100100W
	1250	750	BE4.12575W
		1000	BE4.125100W
	1500	1000	BE4.150100W
	1750	1000	BE4.175100W
	2000	1000	BE4.200100W

Nominal dimensions!  
Other sizes on demand

EXPOSED = nominal - 30 mm  
USABLE = nominal + 10 mm  
TOT = nominal + 100 mm



## LIGHTING SYSTEM

An internal lighting system with low tension LED is available.

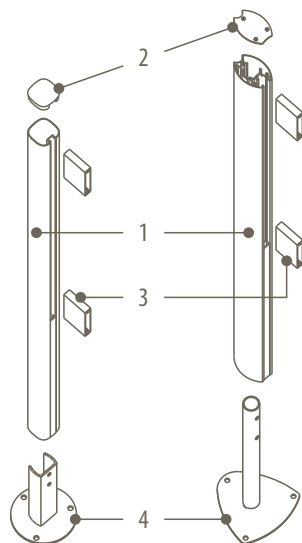
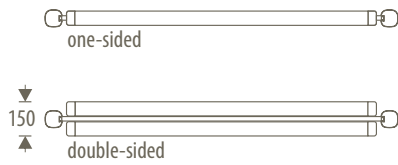
## FIXING

- Wall mounting with expansion bolts.
- On posts.

Our showcases are supplied with a cylindrical lock and black anodized aluminium hinges. The opening is made easier by the use of two gas springs for the folding showcases.

\* Showcases with size up to 1000x1000 mm are supplied with 10 magnets; 20 magnets are supplied for bigger showcases.



In the one-sided version the window is fixed directly on the post by using couplings;  
In the double-sided version the windows are fixed on the crossbars connecting posts.



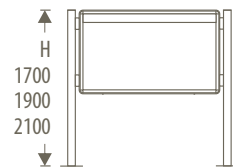
## MATERIALS AND COLOURS

- 1\_ side posts  
in aluminium  
- powder coated (mod. A)  
- silver anodized (mod. B)
- 2\_ caps  
in black nylon (mod. A)  
in silver anodized aluminium (mod. B)
- 3\_ couplings and crossbars  
in silver anodized or powder coated aluminium
- 4\_ base  
in zinc steel

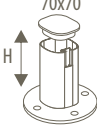

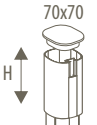
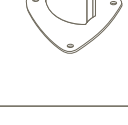
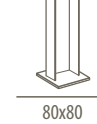
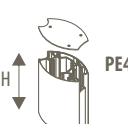
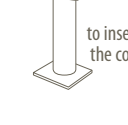
## INSTALLATION

-  Flat base to be fixed to the concrete by using expansion bolts.
-  Clutch to insert into the concrete

## DIMENSIONS AND CODES



Complete SUPPORT (showcase excluded)

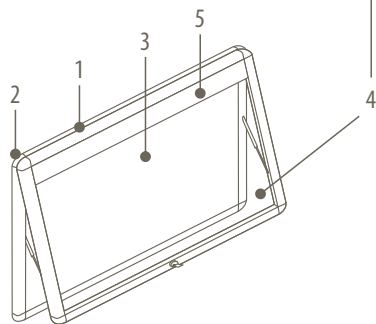
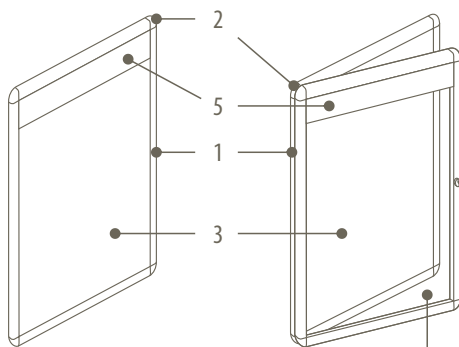
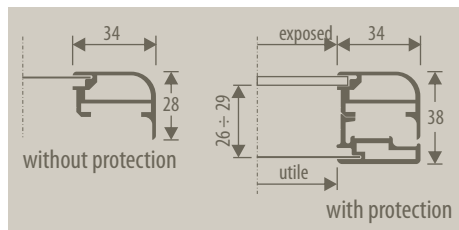
mod. A	code	mod. B	code
	PE4.70		PE4.94
	PE4.70IN		
	PE4.80		PE4.94IN
			Clutch to insert into the concrete



# SHOW SHOWCASES FOR INDOOR

with book and folding opening

72



## MATERIALS AND COLOURS

1\_ profiles  
in silver anodized or  
powder coated aluminium

2\_ corners  
in nylon  
- silver RAL 9006  
- ashgrey 007  
- black

3\_ background  
- in steel (to be used with magnets\*)  
- white  
- silver RAL 9006  
- black

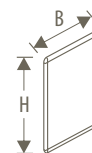
- in cork-rubber (to be used with pins)  
- in aluminium (for permanent vinyl graphic)

4\_ protection  
- plexiglass th. 4 mm  
- polycarbonate th. 4 mm

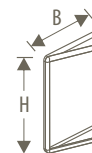
5\_ front sheet h. 100 mm  
in vinyl film  
(necessary with lighting system)

## DIMENSIONS AND CODES

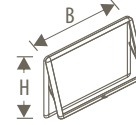
WITHOUT PROTECTION	B	H	code
	400	500	BA4.4050S
	500	400	BA4.5040S
		750	BA4.5075S
	750	500	BA4.7550S
		750	BA4.7575S
		1000	BA4.75100S
	1000	750	BA4.10075S
		1000	BA4.100100S
	1250	1000	BA4.125100S
	1500	1000	BA4.150100S
	1750	1000	BA4.175100S



BOOK OPENING	B	H	code
	400	500	BA4.4050L
	500	400	BA4.5040L
		750	BA4.5075L
	750	500	BA4.7550L
		750	BA4.7575L
		1000	BA4.75100L
	1000	1000	BA4.100100L



FOLDING OPENING	B	H	code
	1000	750	BA4.10075W
		1000	BA4.100100W
	1250	1000	BA4.125100W
	1500	1000	BA4.150100W
	1750	1000	BA4.175100W



Nominal dimensions  
Other size on demand.

EXPOSED = USABLE = nominal - 10 mm  
TOT = nominal + 58 mm

## LIGHTING SYSTEM

An internal lighting system with  
low tension LED is available.

## FIXING

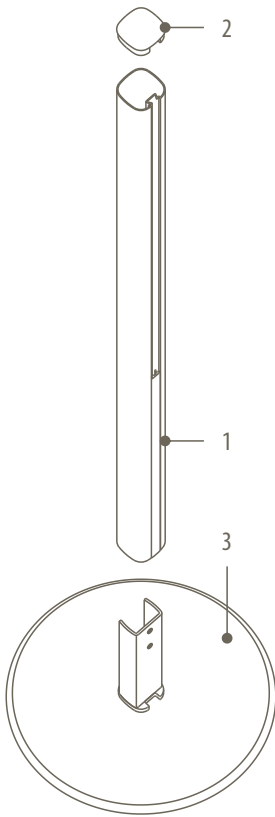
- Wall mounting with expansion bolts.  
- On posts.

Our showcases are supplied with a cylindrical  
lock and black anodized aluminium hinges.  
The opening is made easier by the use of two  
gas springs for the folding showcases.

\* Showcases with size up to 1000x1000 mm  
are supplied with 10 magnets; 20 magnets  
are supplied for bigger showcases.







## MATERIALS AND COLOURS

1\_ side posts  
in powder coated aluminium

2\_ caps  
in black nylon

3\_a free standing round base Ø 440 mm  
in powder coated steel  
- texturized anthracite  
- texturized silver

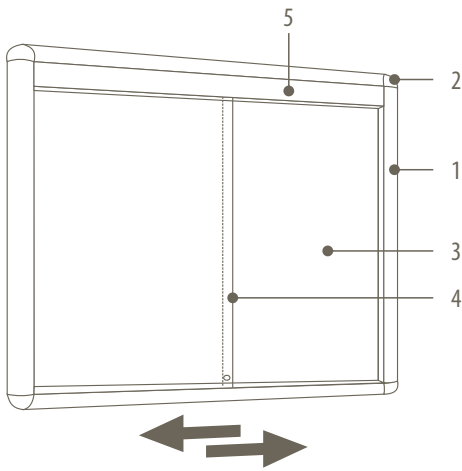
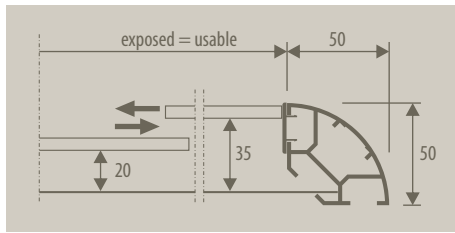
3\_b free standing shaped base  
in zinc plated steel covered with  
aluminium sheet.

These supports can bear a single or two  
opposing showcases.  
Where a higher stability is required a ballasting  
zinc plated plate (not in sight) is available  
for round plates only.  
Other heights on demand.

## DIMENSIONS AND CODES

Complete SUPPORT (showcase excluded)			code
			PI4.440
			PI4.441
			PI4.442
			PI4.443
			PI4.701
			PI4.900
			PI4.901
			PI4.901

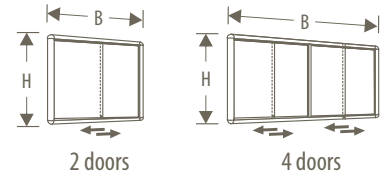




## MATERIALS AND COLOURS

- 1\_ profiles  
in powder coated aluminium
- 2\_ corners  
in powder coated aluminium
- 3\_ background
  - in steel (to be used with magnets\*)
  - white
  - silver RAL 9006
  - black
  - in cork-rubber (to be used with pins)
  - in aluminium (for vinylic permanent graphic)
- 4\_ protection  
in stratified glass th. 3 + 3 mm
- 5\_ front sheet h. 100 mm  
in extruded aluminium  
(necessary whit lighting system)

## DIMENSIONS AND CODES



	B	H	code
2 doors	1150	750	BS4.11575
		900	BS4.11590
	1150	1150	BS4.115115
	1400	900	BS4.14090
2 or 4 doors	1150	1150	BS4.140115
	1700	900	BS4.17090
4 doors	1150	1150	BS4.170115
	2000	900	BS4.20090
	1150	1150	BS4.200115
	2500	900	BS4.25090
	1150	1150	BS4.250115

Measures refer to external space  
Others dimensions available on demand



## LIGHTING SYSTEM

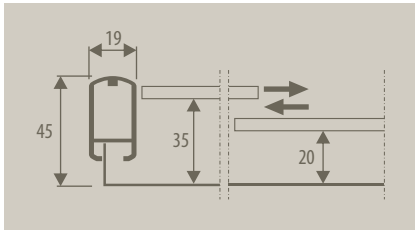
An internal lighting system with low tension LED is available.

## FIXING

Wall mounting with expansion bolts.

Our showcases are supplied with a cylindrical lock.  
The sliding door opening is made easier by the use of tracks with rollers Ø 13.  
For big sizes, too.

\* Showcases with size up to 1000x1000 mm are supplied with 10 magnets; 20 magnets are supplied for bigger showcases.

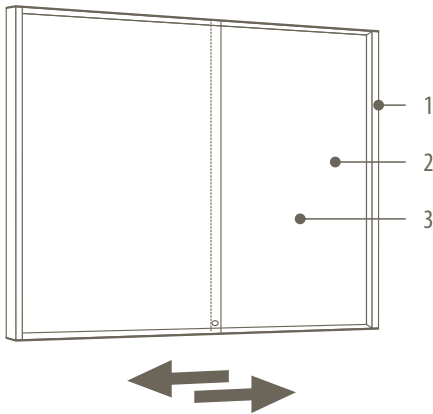


## MATERIALS AND COLOURS

1\_ external frame  
in powder coated aluminium

2\_ background  
- in steel (to be used with magnets\*)  
- white  
- silver RAL 9006  
- black  
- in cork-rubber (to be used with pins)

3\_ protection  
in transparent acrylic th. 6 mm



## DIMENSIONS AND CODES

	B	H	code
	1000	750	BS4.E10075
		1000	BS4.E100100
	1250	750	BS4.E12575
		1000	BS4.E125100
	1500	750	BS4.E15075
		1000	BS4.E150100
	1750	750	BS4.E17575
		1000	BS4.E175100
	2000	750	BS4.E20075
		1000	BS4.E200100

Measures refer to external dimensions.  
Others sizes available on demand

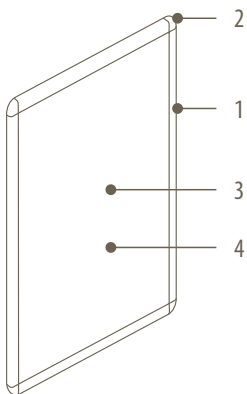
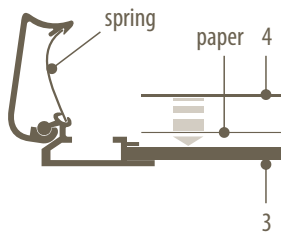
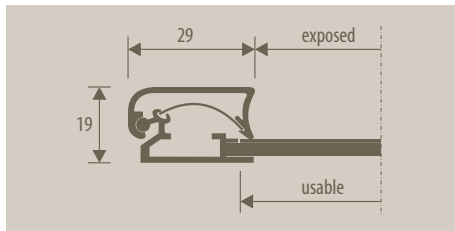
## FIXING

Wall mounting with expansion bolts



Our showcases are supplied with a cylindrical lock.  
The sliding door opening is made easier by the use of tracks with rollers Ø 13.  
For big sizes, too.

\* Showcases with size up to 1000x1000 mm are supplied with 10 magnets; 20 magnets are supplied for bigger showcases.



It is the best solution when paper insert is requested (like building plans or evacuation plans).

The opening is made easier by the use of harmonic steel blades.

#### MATERIALS AND COLOURS

- 1\_ profiles  
in silver anodized or powder coated aluminium
- 2\_ corners  
in nylon  
- silver RAL 9006  
- black
- 3\_ background  
- in structural foam PVC (Forex) th. 3 mm  
- in Aluminium Composite th. 3 mm  
(only for big size showcases)
- 4\_ protection  
in transparent non-reflective polyester (PETG) th. 1 mm

#### DIMENSIONS AND CODES

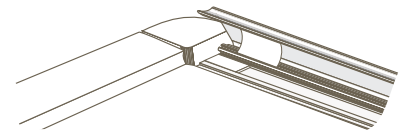
	UNI	B	H	code
	A4	210	297	BA4.A4SC
	A3	297	420	BA4.A3SC
	A2	420	594	BA4.A2SC
	A1	594	840	BA4.A1SC
		500	700	BA4.5070SC
		700	1000	BA4.70100SC
	1000	1400	BA4.100140SC	

Measures refer to the usable internal space

Other dimensions available on request

EXPOSED = USABLE - 6

TOT = USABLE + 52



#### FIXING

- Wall mounting with:
- expansion bolts
  - double-sided tape



## MATERIALS AND COLOURS

1\_a panelling  
in aluminium silver RAL 9006

1\_b panelling  
in satinized acrylic

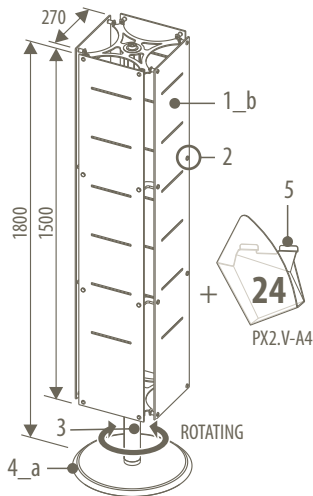
2\_ chromium-plated spacers  
(only with type 1\_b)

3\_ post  
in silver anodized aluminium

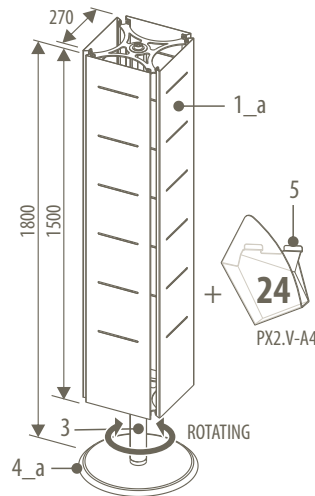
4\_a free standing round base  
in texturized silver steel

4\_b free standing shaped  
base in zinc plated steel  
covered with silver anodized  
aluminium sheet

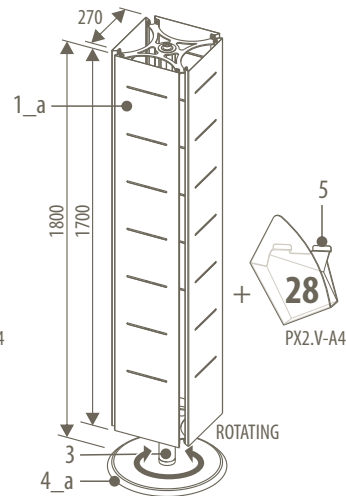
5\_ brochure holders in  
transparent acrylic



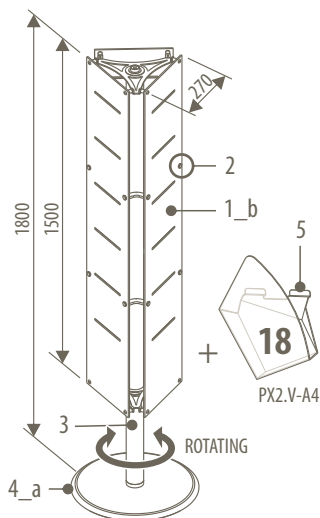
**QUADRISATIN**  
EX4.PX4-24.150



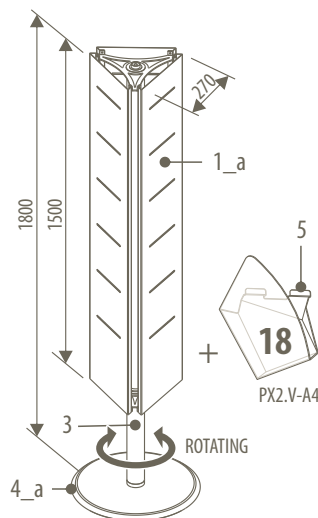
**QUADRISILVER**  
EX4.AL4-24.150



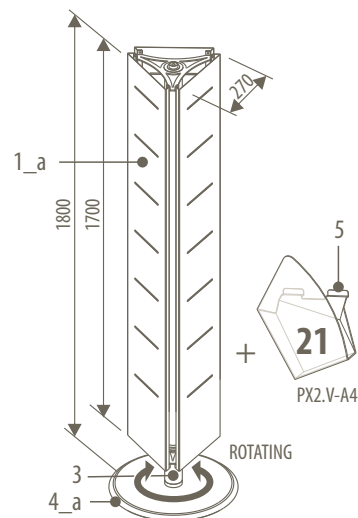
**QUADRISILVER**  
EX4.AL4-28.170



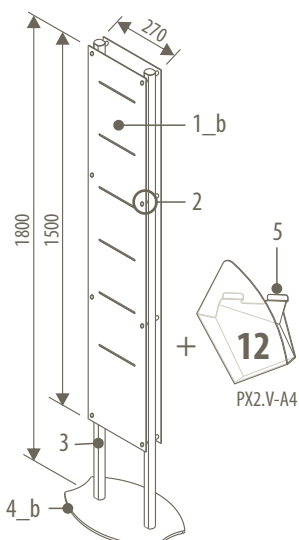
**TRISATIN**  
EX4.PX3-18.150



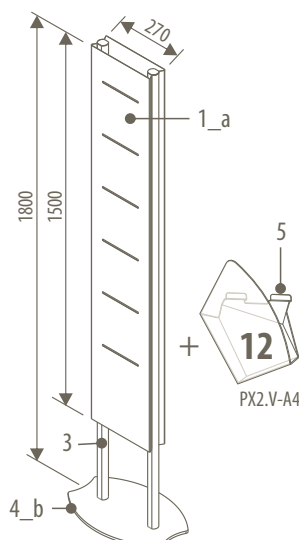
**TRISILVER**  
EX4.AL3-18.150



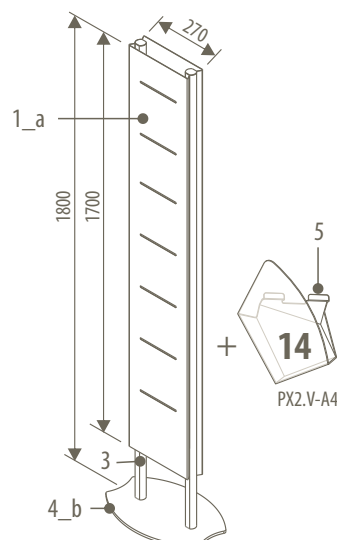
**TRISILVER**  
EX4.AL3-21.170



**BISATIN**  
EX4.PX2-12.150



**BISILVER**  
EX4.AL2-12.150



**BISILVER**  
EX4.AL2-14.170



## MATERIALS AND COLOURS

- 1\_ structure  
in silver anodized aluminium
- 2\_a base with wheels  
in texturized silver steel
- 2\_b base with anti-slip feet  
in texturized silver steel
- 3\_a panelling  
in microdrilled texturized silver iron
- 3\_b panelling  
in cork-rubber
- 3\_c poster holder  
in transparent acrylic
- 4\_ header front sheet  
h. 100 mm in aluminium
- 5\_ clamps  
in silver anodized aluminium
- 6\_ brochure holder  
in transparent acrylic



### MICROFORO magnetic

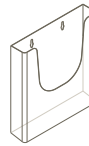
		h	L tot.	V
EX4.F2-60180	on feet	1840	600	537
EX4.F2-60180R	on wheels	1894	600	537
EX4.F2-75180	on feet	1840	750	687
EX4.F2-75180R	on wheels	1894	750	687



### MICROFORO brochure holder

MICROFORO magnetic can be accessorized with brochures holders on both sides.

Available brochure holders:  
PX2.PDP-A4, PX2.PDP-A5, PX2.PDP-1.3A4  
Each side of the display can hold until 10 holders (A4 portrait size). If a smaller size is chosen more holders can be used.



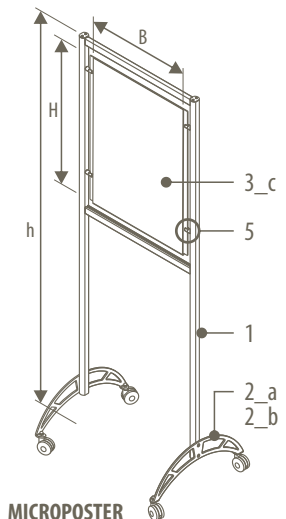
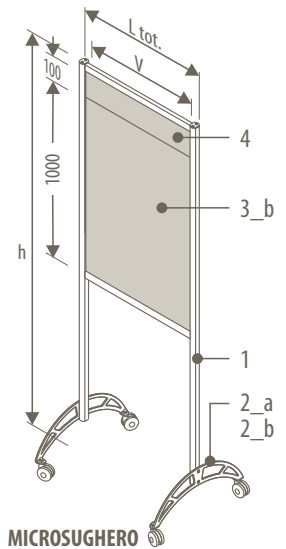
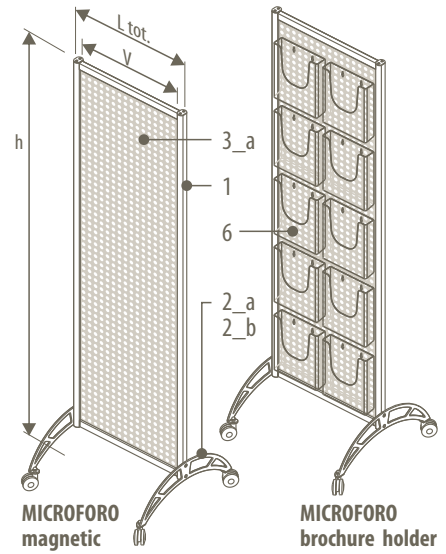
### MICROSUGHERO

		h		L tot.	V
EX4.S1-60180	on feet	1840	one-sided	600	537
EX4.S1-60180R	on wheels	1894	one-sided	600	537
EX4.S2-60180	on feet	1840	double-sided	600	537
EX4.S2-60180R	on wheels	1894	double-sided	600	537
EX4.S1-75180	on feet	1840	one-sided	750	687
EX4.S1-75180R	on wheels	1894	one-sided	750	687
EX4.S2-75180	on feet	1840	double-sided	750	687
EX4.S2-75180R	on wheels	1894	double-sided	750	687



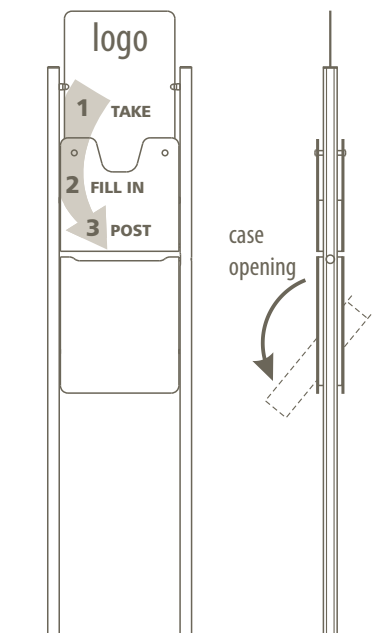
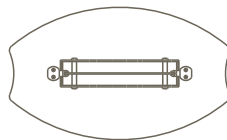
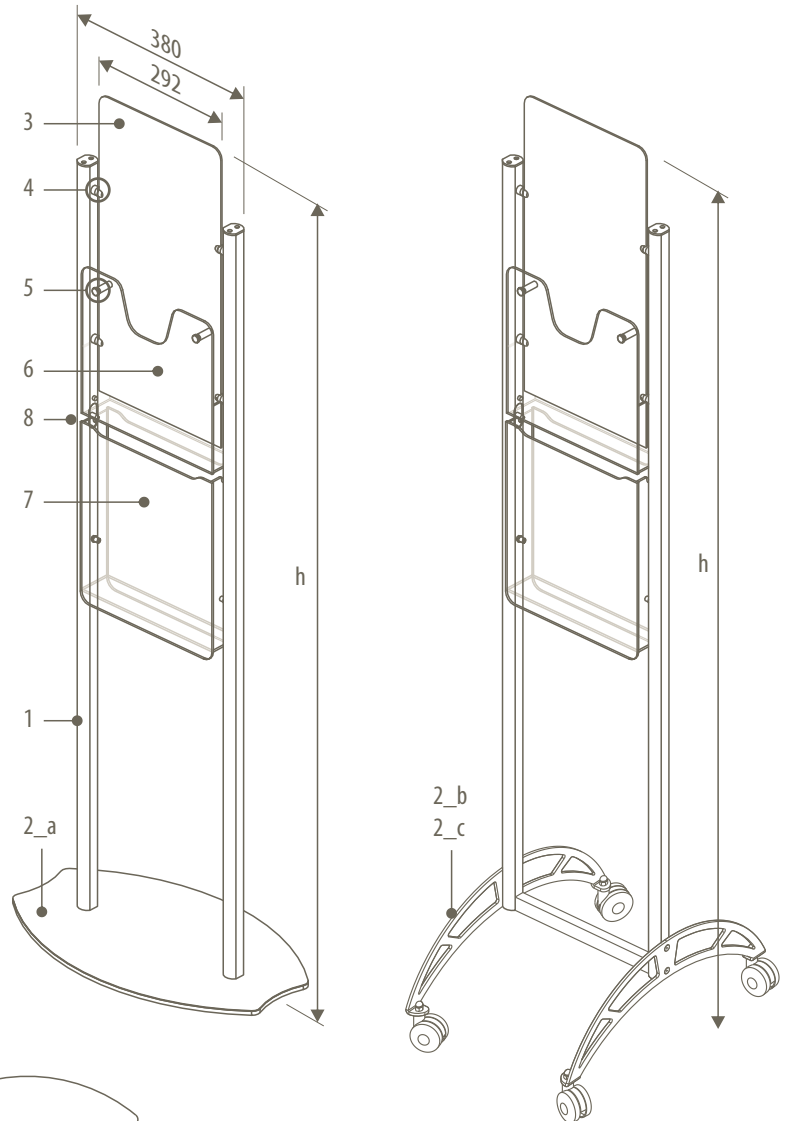
### MICROPOSTER

		h	poster (B x H)
EX4.P-5070	on feet	1840	500 x 700
EX4.P-5070R	on wheels	1894	500 x 700
EX4.P-70100	on feet	1840	700 x 1000
EX4.P-70100R	on wheels	1894	700 x 1000



## MATERIALS AND COLOURS

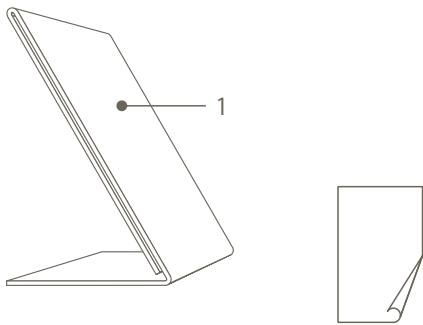
- 1\_ structure  
in silver anodized aluminium
- 2\_a free standing shaped base  
in zincd steel covered with  
anodized aluminium sheet
- 2\_b base with wheels  
in texturized silver steel
- 2\_c base with anti-slip feet  
in texturized silver steel
- 3\_ panelling in Aluminium Composite  
personalizable with graphic
- 4\_ clamps  
in silver anodized aluminium
- 5\_ chromium-plated pins
- 6\_ double-sided holder  
for sheets to fill in  
in transparent acrylic
- 7\_ case to post  
filled in sheets  
in satinized acrylic
- 8\_ lock with steel key



TAKE-FILL-IN-POST		h	sheets
EX4.PCI-B	with base	1650	
EX4.PCI-R	on wheels	1820	double-sided A4 portrait
EX4.PCI-P	on feet	1766	

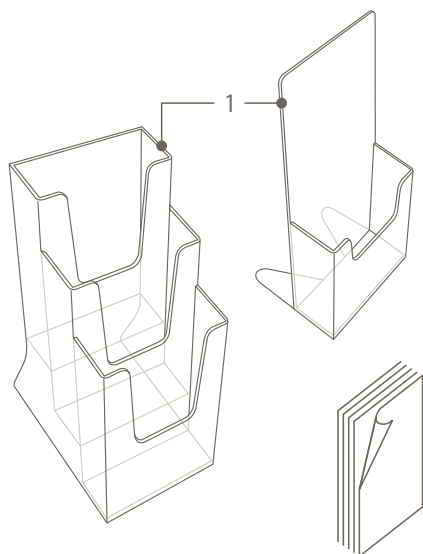
**MATERIALS AND COLOURS**

- 1\_ displaystand in transparent acrylic
- 2\_ support in satinized acrylic
- 3\_ chromium-plated pins



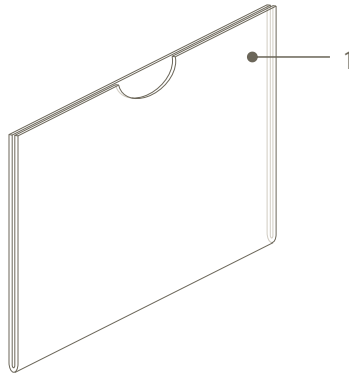
**Table NOTICE HOLDER**

PX2.PA-A4V	A4 portrait
PX2.PA-A4Z	A4 landscape
PX2.PA-A5V	A5 portrait
PX2.PA-A5Z	A5 landscape



**Table BROCHURE HOLDER**

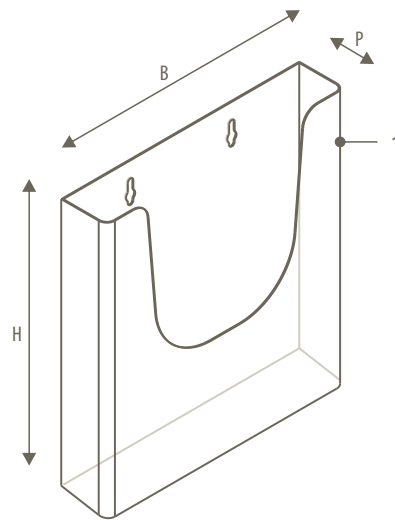
		slot
PX2.PDT-1.A4	A4 portrait	1 slot
PX2.PDT-3.A4	A4 portrait	3 slots
PX2.PDT-1.A5	A5 portrait	1 slot
PX2.PDT-1.1/3A4	1/3 A4 portrait	1 slot
PX2.PDT-3.1/3A4	1/3 A4 portrait	3 slots



**Wall notice HOLDER**

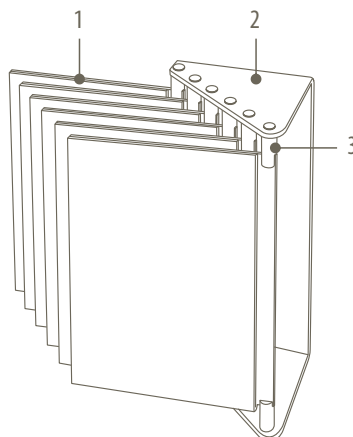
PX2.PAP-A4V	A4 portrait
PX2.PAP-A4Z	A4 landscape
PX2.PAP-A5V	A5 portrait
PX2.PAP-A5Z	A5 landscape

to fix with double sided tape



**Wall BROCHURE HOLDER**

		inside capacity			external sizes		
		B	H	P	B	H	P
PX2.PDP-A4	A4 portrait	234	234	39	238	236	43
PX2.PDP-A5	A5 portrait	154	151	37	158	153	41
PX2.PDP-1.3A4	1/3 A4 portrait	110	132	37	114	134	41



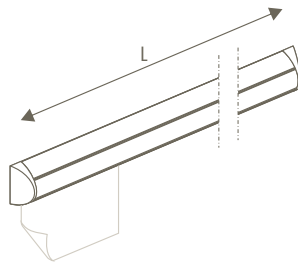
**Book opening NOTICE HOLDER**

EX4.L6-A4	A4 portrait	6 pockets
-----------	-------------	-----------



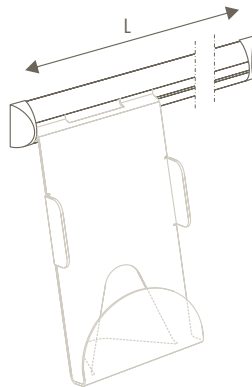
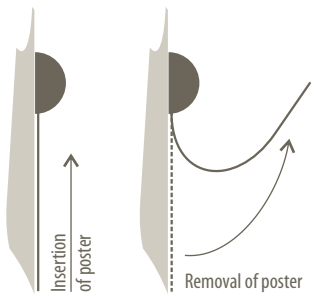
## MATERIALS AND COLOURS

- 1\_ bar  
in silver anodized aluminium
- 2\_ end cap  
in transparent polycarbonate
- 3\_ front closure  
(only for poster holding bar)  
in transparent polycarbonate
- 4\_ ribbed bar  
(only for poster holding bar)  
in silver anodized aluminium
- 5\_ accessories  
(only for accessories holding bar)  
in transparent acrylic



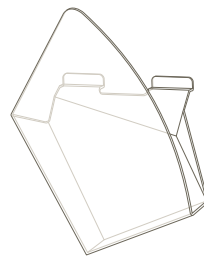
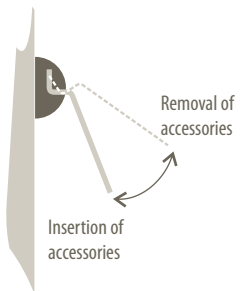
## POSTER HOLDING BAR

	L
EX4.B500	500
EX4.B750	750
EX4.B1000	1000
EX4.B1500	1500
EX4.B2000	2000
EX4.B3000	3000



## ACCESSORIES HOLDING BAR

	L
PX4.B500	500
PX4.B750	750
PX4.B1000	1000
PX4.B1500	1500
PX4.B2000	2000
PX4.B3000	3000

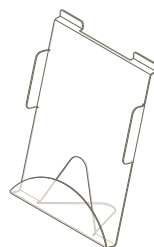


## DEPLIANT HOLDER

PX2.V-A4	A4 portrait
PX2.V-A4/D	partition to be put in PX2.V-A4 to create two slots for brochure 1/3 A4 size

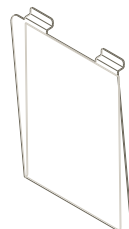
## DEPLIANT HOLDER QUANTITY

L bars	RECOMMENDED quantity (pockets are spaced one from the other)	MAXIMUM quantity (pockets are closely in contact)
500	2	2
750	3	3
1000	4	5
1500	6	7
2000	8	10
3000	12	15



## DEPLIANT HOLDER

PX2.E-A4	A4 portrait
PX2.E-A5	A5 portrait
PX2.E-1.3A4	1/3 A4 portrait

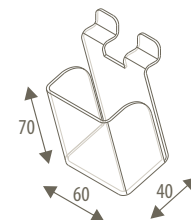
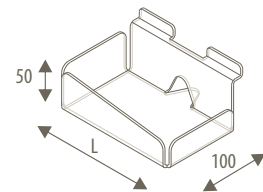


## SHEETS HOLDER

PX2.PV-A2	A2 portrait
PX2.PO-A2	A2 landscape
PX2.PV-A3	A3 portrait
PX2.PO-A3	A3 landscape
PX2.PV-A4	A4 portrait
PX2.PO-A4	A4 landscape
PX2.PV-A5	A5 portrait
PX2.PO-A5	A5 landscape

## OBJECTS HOLDER

	L
PX2.V0	300
PX2.V	150



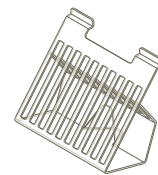
## PEN HOLDER

PX2.VV



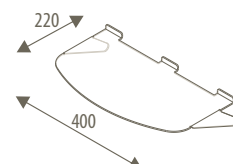
## VISITING CARDS HOLDER

PX2.PB



## CD HOLDER

PX2.PCD for 10 cd



## SHELF

PX2.R



SINGLE POST FOR FIRE EXTINGUISHER

84

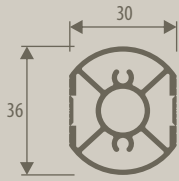
SAFETY SIGNAGE

85

# SAFETY

# SINGLE POST for FIRE EXTINGUISHER

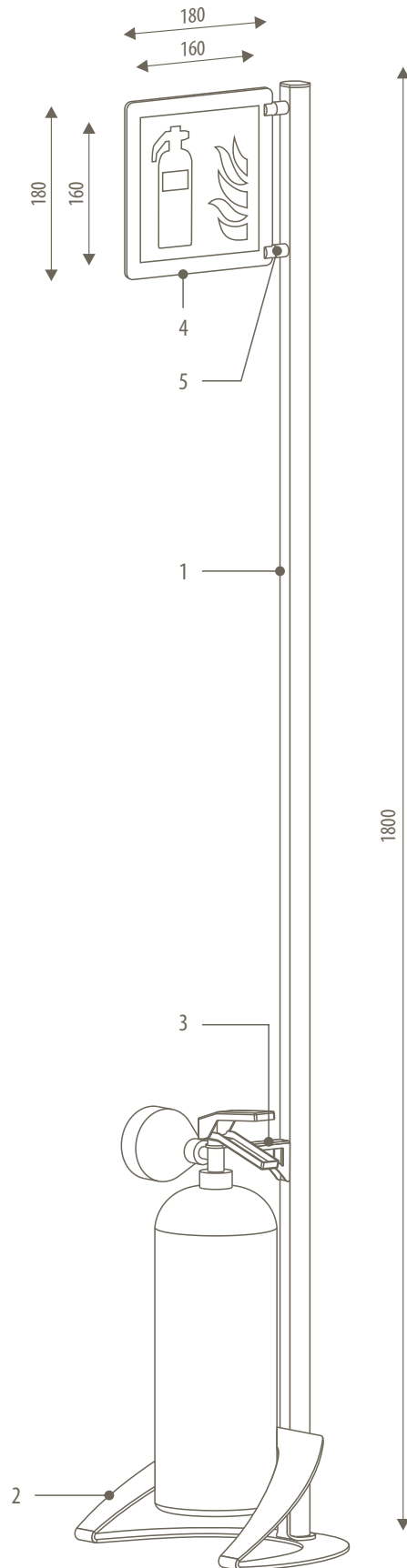
for indoor



post 36

## MATERIALS AND COLOURS

- 1\_ post 36  
in silver anodized aluminium  
with satinized acrylic end caps
- 2\_ free standing base  
in silver texturized steel
- 3\_ hook for fire extinguisher  
in silver texturized steel
- 4\_ plate th. 4 mm  
in transparent acrylic  
with fire extinguisher  
pictogram (double sided)
- 5\_ silver anodized aluminium  
clamps



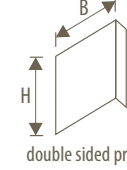
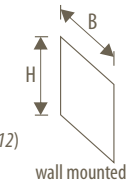
**SL4.EX36**  
(fire extinguisher not included)



## PICTOGRAMS

	LA		reading distance (lm)		B x H
	aluminium sheet				
prohibition obligation	6	166 x 166			
	10	270 x 270			
danger	4	350 x 125			
	4	lato 140			
multi-symbol	6	300 x 125			
	4	350 x 200			
emergency fire prevention	6	500 x 333			
	6	160 x 160			
emergency fire prevention luminescent	10	250 x 250			
	10	250 x 310			
	6	300 x 160			
	6	440 x 160			
	10	250 x 250			
	10	250 x 330			

Pictograms (in compliance with the European regulation EN ISO 7010/2012) screen printed on aluminium sheet (5/10 or 7/10) powder coated or covered with luminescent film



## SAFETY PLATES

(pictogram + plate)

reading distance (lm)	B x H	SL on Speed support	VL on Vela support	EL on Elix NF support	SH on Segno light support	AQ on Aqua support
6	148 x 148					
9	210 x 210	see pages 64-65	see pages 46-47	see page 54	see pages 62 - 63	see page 56
4	297 x 105					
6	420 x 148					

Available both wall mounted and projecting.  
Recommended sizes.

## EVACUATION PLANS

size (B x H)	SL Speed plate	EL Elix plate	BA Clic showcase	VL Vela plate
A4	SP4.A4	EL4.2130	BA4.A4SC	VL4.A4
	SP4.3021			VL4.3021
A3	SP4.A3	EL4.3042	BA4.A3SC	VL4.A3
	SP4.4230			
A2	SP4.A2	EL4.4260-T	BA4.A2SC	
	SP4.6042			
Other sizes available.	see page 64	see page 50	see page 76	see page 46



© Seberg S.r.l., 2014

Seberg S.r.l.  
reserves the right  
to make any technical  
or dimensional changes  
without notice.

Issue 01-2014  
11-2016

Via E. Fermi, 52/o  
24035 Curno (Bergamo)



I t a l i a

tel./ph. +39 035 461.200

fax +39 035 462.099

[i n f o @ s e b e r g . i t](mailto:info@seberg.it)

[w w w . s e b e r g . i t](http://www.seberg.it)

