



SANYCAR®

UV Technology Global
Specialists in Decontamination Technologies

Airport Safety Solutions



About us

An Italy based company, Sanycar designs and implements innovative airport disinfection solutions based on UV-C germicidal irradiation.

Thanks to Sanycar's proprietary technology, Cagliari International Airport (IATA: CAG) has become the first airport in the world to adopt a UV-C surface disinfection system to sanitize security trays, wheelchairs, and luggage trolleys.

Visit our website www.sanycar.it





About us

Based in the industrial powerhouse of Manchester, UK UV-Technology Global boast in depth industry expertise and over 25 years of combined industry knowledge.

UV Technology is one of the global leaders in the delivery of award winning UV-C decontamination solutions across different sectors, including food, hospitality, transportation, and healthcare. All UV Technology products are built in the UK and manufactured to the highest industry standards.

Visit our website www.uvtglobal.co



Specialists in Decontamination Technologies

The Leading Provider of UV-C Decontamination Solutions...



About us

Sanycar and UV-Technology Global have recently signed a strategic partnership agreement.

The two companies will join efforts to develop new sanitation and disinfection solutions based on UV-C technology, tailored to high-traffic-density and high-contamination-risk settings, such as airports, supermarkets, hospitals, and public buildings

For immediate release

Sanycar, Italy's leading manufacturer of innovative UV-C decontamination solutions has entered into partnership with UV Technology Global.

UV Technology Global is pleased to announce that it has entered into partnership with Sanycar to further develop its existing range of innovative UV-C decontamination solutions targetted at high frequency contact areas, including Transportation hubs, Retail and Hospitals, etc. (www.sanycar.it).

UV Technology Global will offer expert guidance on product development and configuration, advising customers across all geographic markets on the optimum Sanycar solution for their particular requirements.

With a proven pedigree in the development of leading edge UV-C solutions, UV Technology Global possess the knowledge and expertise to ensure the solutions delivered meet both industry and regulatory requirements.

Mr Robert Axon, Global Technical Director, said, "We are delighted to be working with Sanycar, Italy, we have worked with them in the past and are pleased to continue and expand our collaboration".

For more information please email UV Technology at info@uvtglobal.com or Sanycar at export@sanycar.it



AIRPORTS

HOME NEWS ROOM THE DIRECTORY EVENTS RECRUITMENT THE MAGAZINE

NEWS TICKET > [May 12, 2020] Finavia now requires all customer facing staff to wear face masks > AIRPORTS

HOME > AIRPORTS > CUSTOMER SERVICE > Cagliari becomes the first European airport to install a new UV-C surface disinfection system

Cagliari becomes the first European airport to install a new UV-C surface disinfection system

© March 25, 2020 in Customer Service, Airline Focus, Baggage Handling, Environment, Ground Handling, Passenger Terminal, Press Release, Security News

CAPA News Analysis Data Events & Webinars About Log In Join CAPA Search the CAPA site

CAPA
CENTRE FOR AVIATION

Become a CAPA Member

Search: sanycar in all content and sort results by relevance Search

Search between: 13-Nov-2019 and 13-May-2020

Sanycar and UV Technology Global to develop new sanitation and disinfection solutions
04-May-2020

Sanycar and UV Technology Global signed (03-May-2020) a strategic partnership agreement on the development of new sanitation and disinfection solutions based on UV-C technology. The solutions will be tailored to high traffic density and high contamination risk settings including airports. [more - original PR]

Cagliari Airport installs UV-C surface disinfection system to combat coronavirus
26-Mar-2020

AvioNews
World Aeronautical Press Agency

NOTI ELENCHI RELAZI INTERVISTE REPORTAGE PUBBLICITÀ

Direttore responsabile:
CLARA MOSCHINI

Home Notizie Video Abbonamenti Contattaci

40/40 airport WHO DO YOU KNOW? Nominate

HOME | AIRPORTS | BUILDINGS & MAINTENANCE

Airport Safety, Sanycar Announces a Strategic Partnership Agreement with the British Company UV-Technology Global

From - Sanycar
May 4th, 2020

Sanycar announces that it has signed a strategic partnership agreement with UV Technology Global. The two companies will join efforts to develop new sanitation and disinfection solutions based on UV-C technology tailored to high-traffic-density and high-contamination-risk settings, such as airports, supermarkets,

CORONAVIRUS COVID-19

Volare è sicuro, in aeroporto la disinfezione di Sanycar

1 Aprile 2020 | by Luca Gonvati

Tempo di lettura 2 minuti

Mai come ora, faremo più attenzione all'igiene e sarà richiesta una sanificazione delle aree comuni anche negli scali aeroportuali.

L'aeroporto di Cagliari, con **Sanycar**, azienda sarda specializzata in tecnologie per la sanificazione, ha introdotto, per primo in Europa, un sistema di sanificazione dopo "ogni uso" delle vaschette porta oggetti utilizzate nei controlli di sicurezza.

AvioNews
World Aeronautical Press Agency

NOTI ELENCHI RELAZI INTERVISTE REPORTAGE PUBBLICITÀ

Direttore responsabile:
CLARA MOSCHINI

Home Notizie Video Abbonamenti Contattaci

40/40 airport WHO DO YOU KNOW? Nominate

HOME | AIRPORTS | BUILDINGS & MAINTENANCE

Airport Safety, Sanycar Announces a Strategic Partnership Agreement with the British Company UV-Technology Global

From - Sanycar
May 4th, 2020

Sanycar announces that it has signed a strategic partnership agreement with UV Technology Global. The two companies will join efforts to develop new sanitation and disinfection solutions based on UV-C technology tailored to high-traffic-density and high-contamination-risk settings, such as airports, supermarkets,

CORONAVIRUS COVID-19

Volare è sicuro, in aeroporto la disinfezione di Sanycar

1 Aprile 2020 | by Luca Gonvati

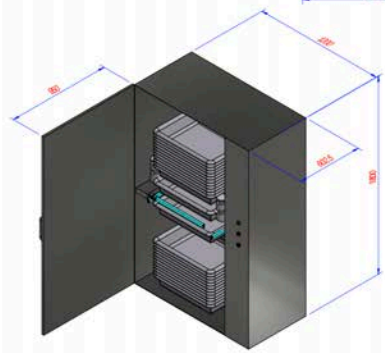
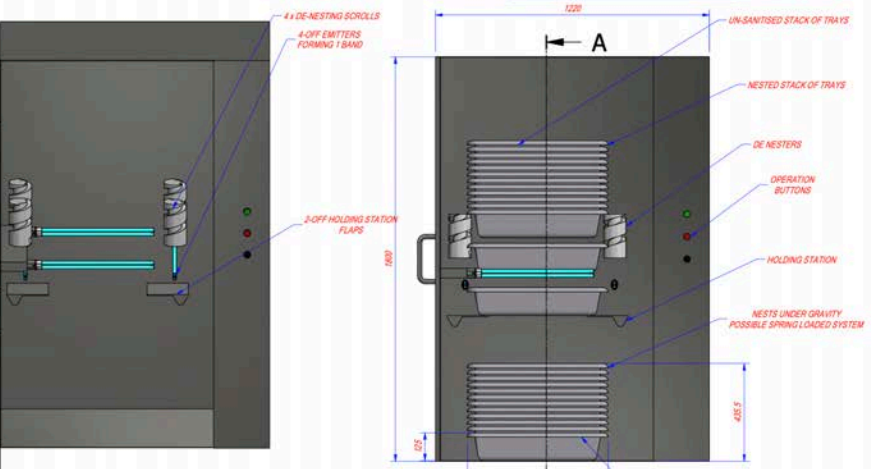
Tempo di lettura 2 minuti

Mai come ora, faremo più attenzione all'igiene e sarà richiesta una sanificazione delle aree comuni anche negli scali aeroportuali.

L'aeroporto di Cagliari, con **Sanycar**, azienda sarda specializzata in tecnologie per la sanificazione, ha introdotto, per primo in Europa, un sistema di sanificazione dopo "ogni uso" delle vaschette porta oggetti utilizzate nei controlli di sicurezza.

In the press

DO NOT SCALE - IF IN DOUBT, ASK



DRAWN BY:	CUSTOMER
DATE:	PROJECT
DESIGNED & APPROVED BY:	FILE
SCALE:	AS
SCALE:	N.E.A.

THIS DRAWING IS COPYRIGHTED & CONFIDENTIAL. IT IS NOT TO BE COPIED OR DISCLOSED TO A THIRD PARTY WITHOUT THE PRIOR WRITTEN CONSENT OF SA Technology LTD

LOAD



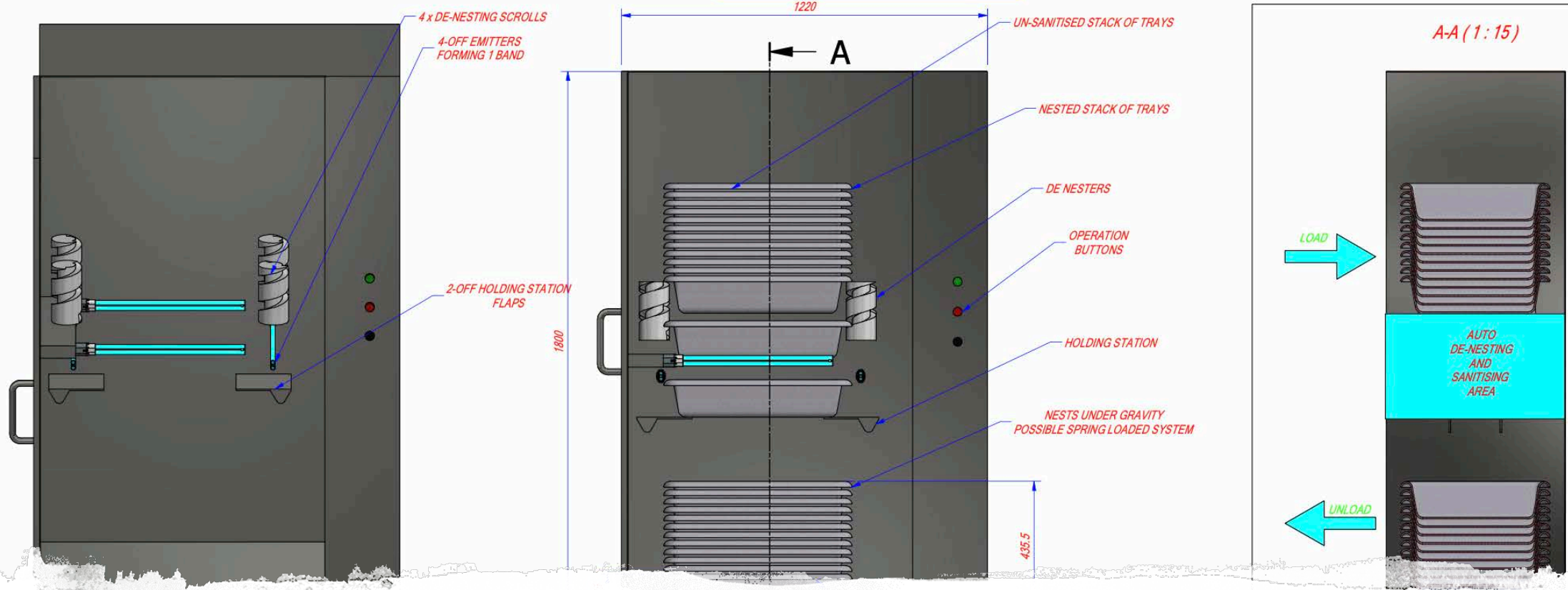
1. A stid
2. The m
3. The st
4. The cl
5. The m
6. The m
7. The cl



Airport Safety Solutions



DO NOT SCALE - IF IN DOUBT, ASK



Airport Safety Solutions

UV-C Tray 360° Disinfection
(manual feeding)



Airport Safety Solutions

UV-C Tray 270° Disinfection
(automated tray return lines)



Machine image for reference only

Airport Safety Solutions

UV-C 360° 'Carry-on' baggage disinfection

- 600mm (w) x 400mm (h) ingress
- Based on IATA 'Carry on' bag size regulations
- Airport systems will be powder coated



Airport Safety Solutions

UV-C Wheelchair disinfection



Airport Safety Solutions

UV-C Tunnel for baggage cart

This can be a static or continuous feed based system.



Airport Safety Solutions

UV-C 360° BHS Baggage disinfection solution

- Solution will be based on either IATA checked bag specifications or Hamad Airport's requirement
- System will incorporate UV-C on all four sides



Airport Safety Solutions

How does a UV-C 360° disinfection solution work?

(Click on the image to watch a video of a similar solution)



UV-C and Corona viruses

[UV Germicidal irradiation and Corona viruses](#)

[Tackling the spread of pathogens in airports](#)

[How ultraviolet light could help stop the spread of Covid-19](#)