



ITALIAN RIDES MANUFACTURERS SINCE 1957



**Our factory
is located in
northern Italy
in a beautiful
medieval town
in Veneto.**



Montagnana is a town in the province of Padova, Veneto (Italy).

The city walls, which represent one of the most characteristic and best preserved examples of medieval military architecture in Europe, date back to the middle of the 14th century and were built by the lords of Padua who wanted to enlarge and strengthen this essential frontier fort, a strategic point against Scaligeri's Verona, who dominated the nearby town.



The whole production cycle takes place inside the factory

We guarantee the perfect realization of the work with highly qualified staff, that follow safety standards like EN and TÜV.

Nowadays, Sartori factory extends over a covered area of 18.000 m² out of a total surface of 50.000 m².



A TALE OF PASSION, DEDICATION & QUALITY

The story of Sartori begins in **1957** from a stroke of genius, from the ability of its founder Claudio Sartori to understand people's need of lightness, fun and happiness.



We are a family business



CLAUDIO
SARTORI



MANUELA
SARTORI



MASSIMO
SARTORI



BARBARA
SARTORI

FLEXIBILITY

QUALITY

TRADITION

**SARTORI
CORE VALUES**

**QUICK
RESPONSE**

**KNOW
HOW**

EXPERIENCE

100% IN-HOUSE MANUFACTURING PROCESS

From the technical drawing, to the construction of the metal components, to the fiberglass vehicles.

We're proud to be one of the few amusement industries in the world that carry out all of the processes involved in creating the attraction inside our factories.

ALL IN THE NAME OF MADE IN ITALY.

**100% IN-HOUSE
MANUFACTURING**

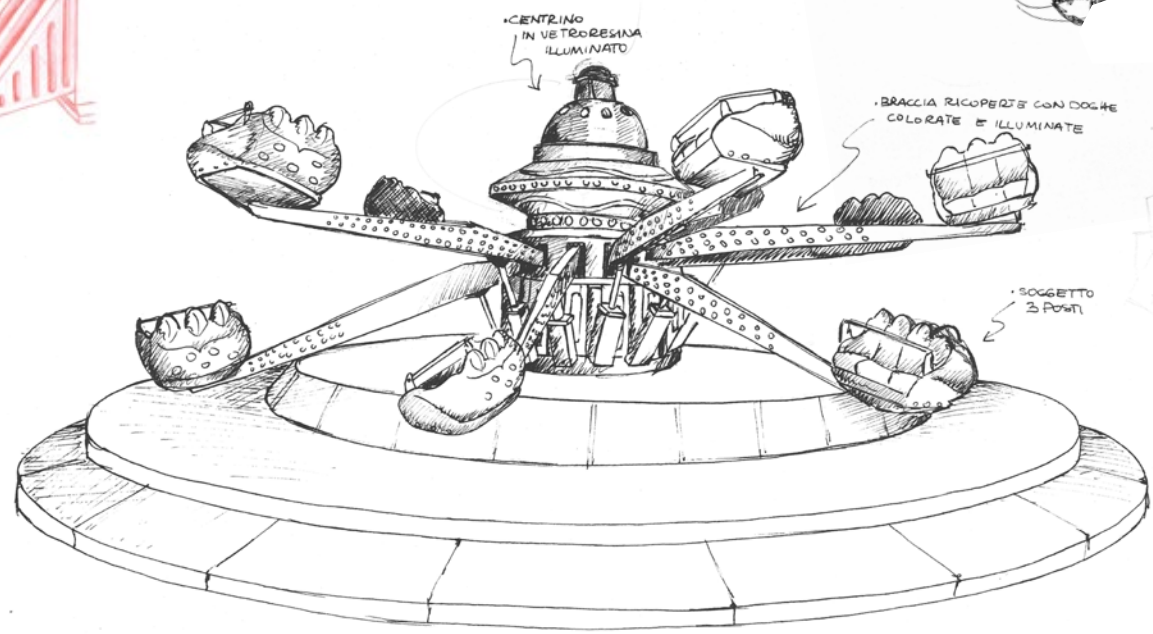
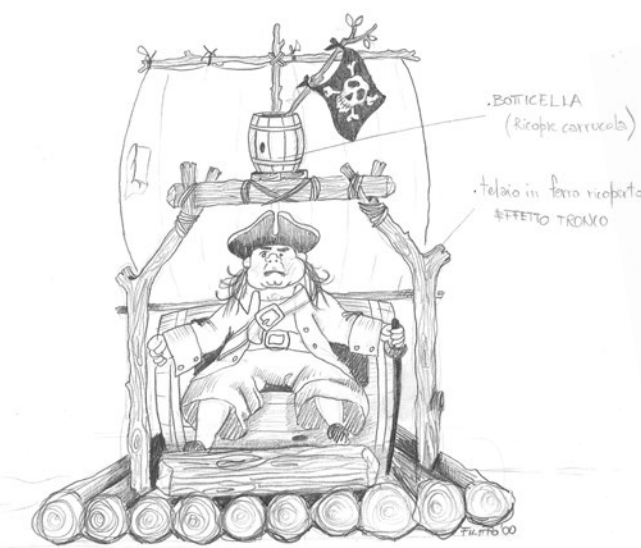
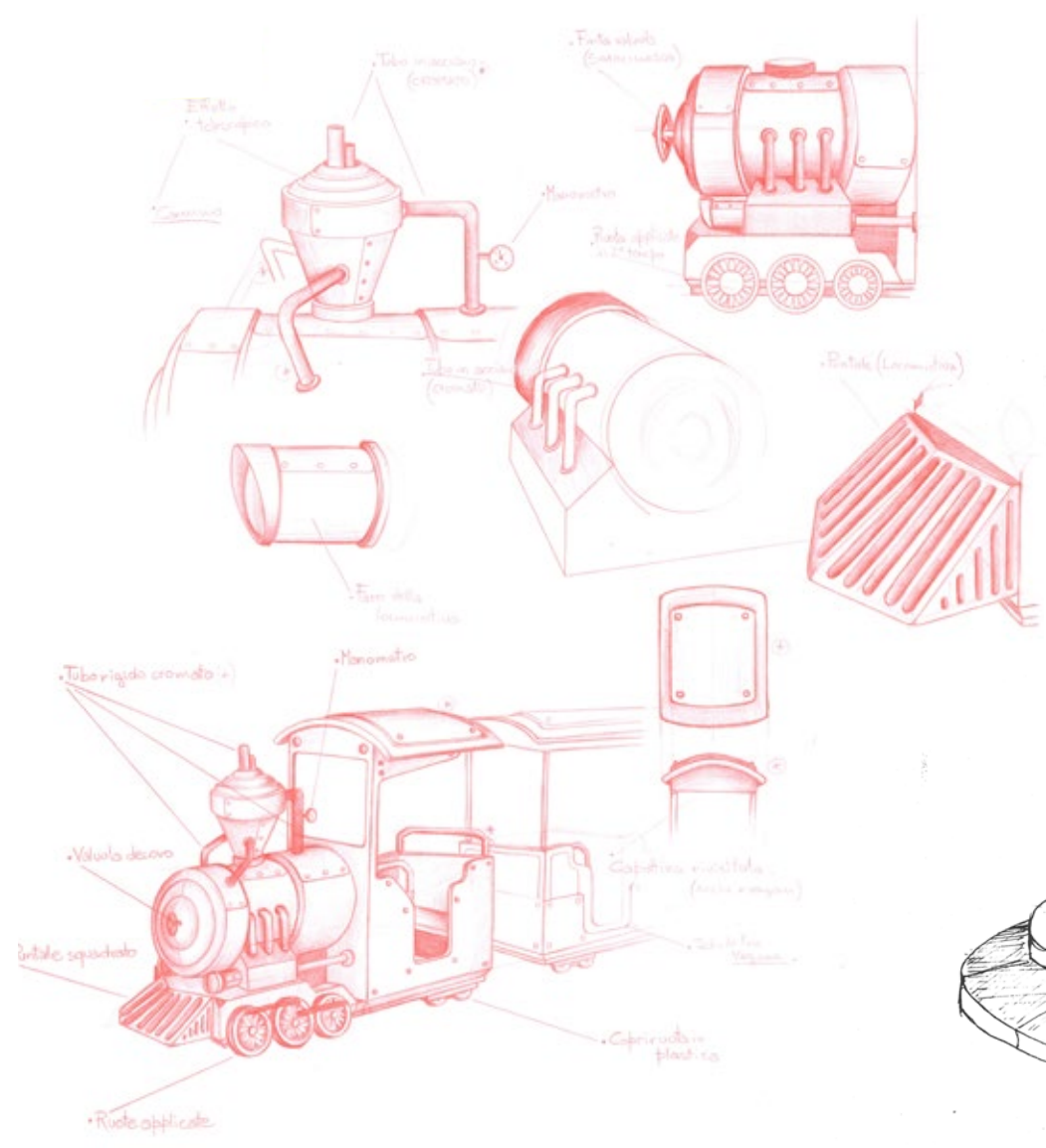


SINGLE PROCESS
REPRESENTATIVE

MINIMIZED PRODUCTION
TIMING

FLEXIBILITY

From the sketch...



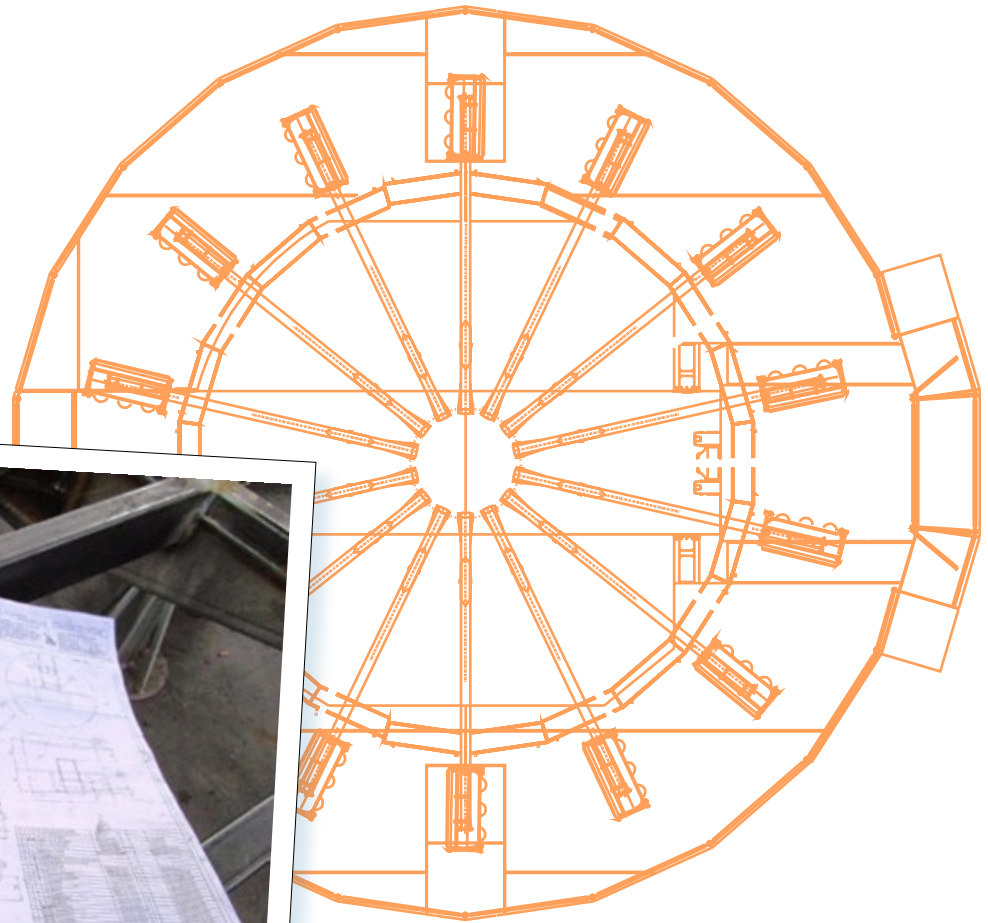
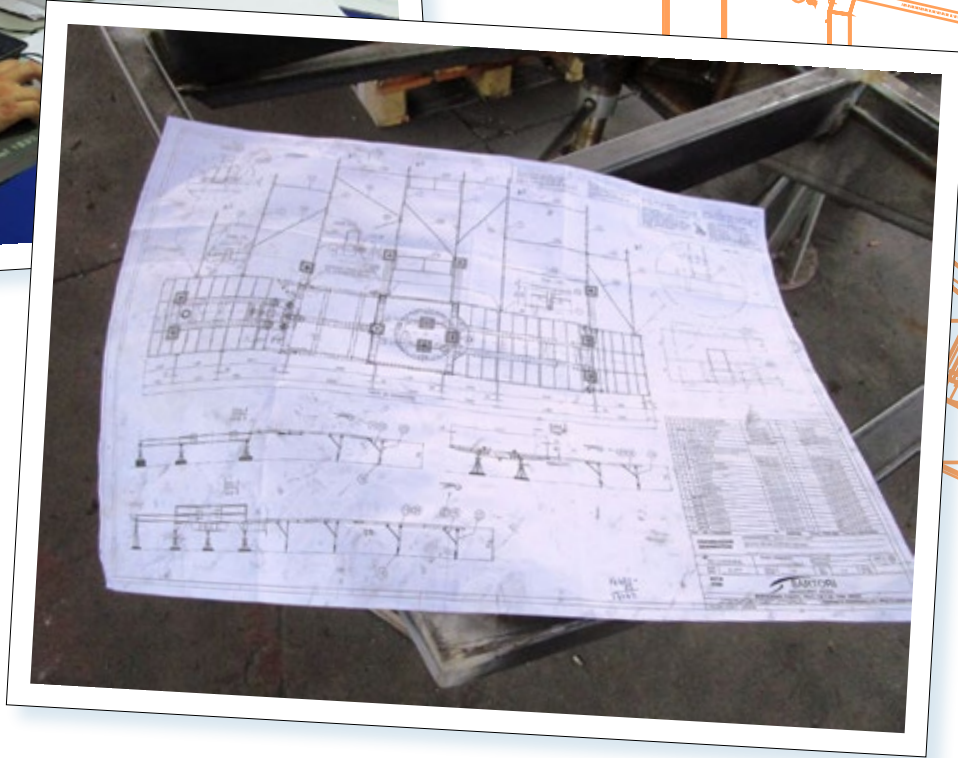
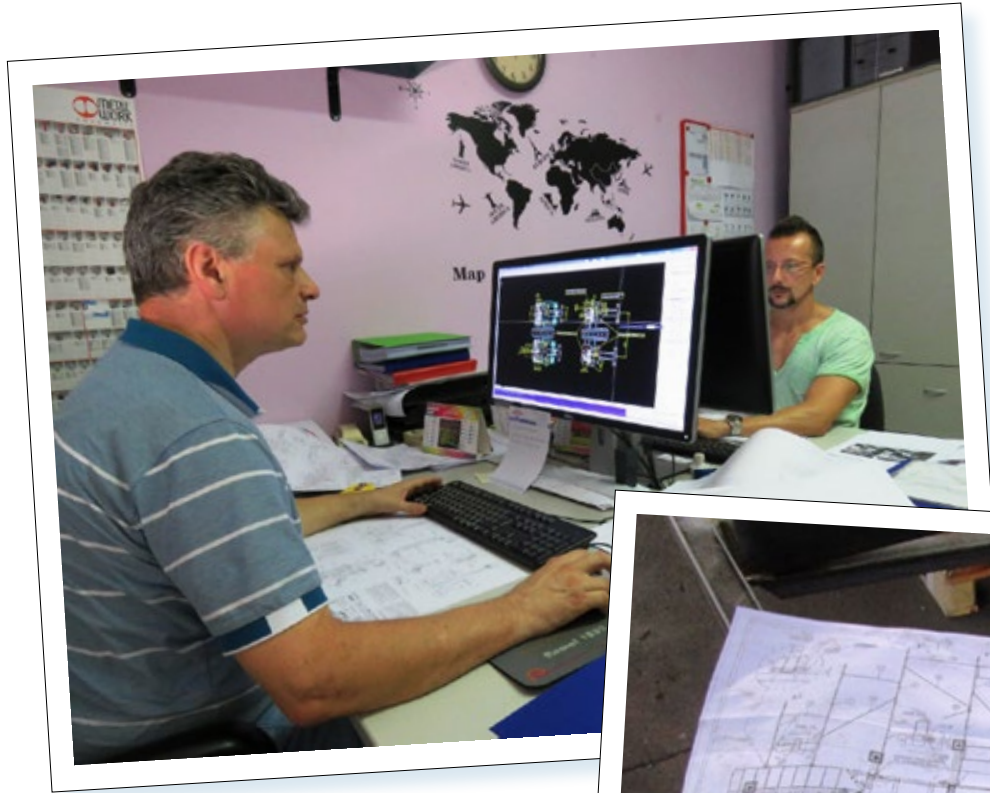
...to the final product





Highly skilled technical team of engineers & technicians

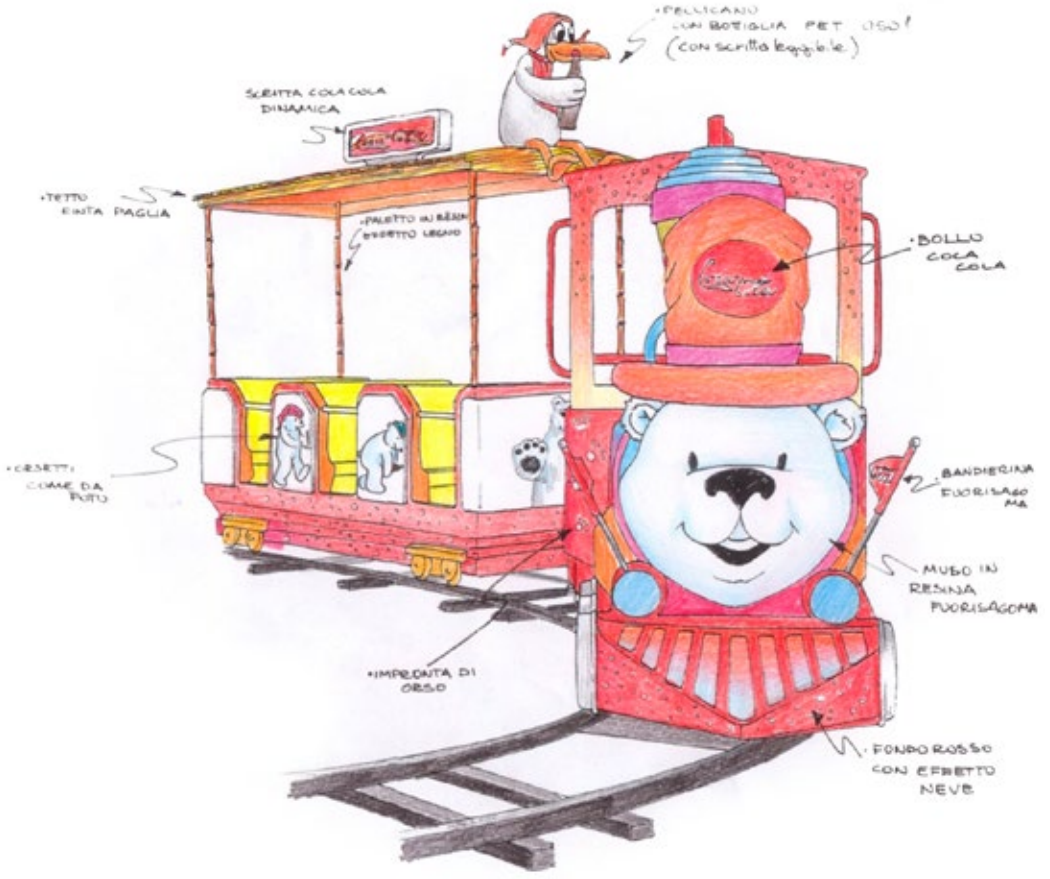
From the flat CAD projects, to their development in 3D, our design projects are the basis for manufacturing high quality attractions.



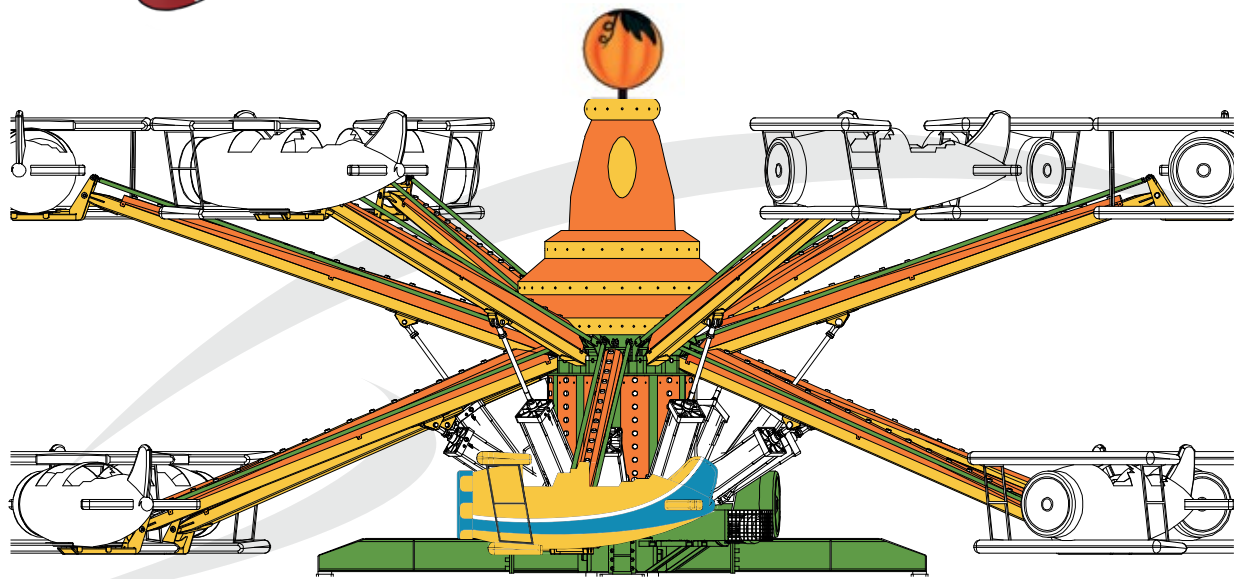
Theming, colors, LED lights

Our creative decorators suggest high-fidelity drafts so that you can really have a glimpse of the finished product before the actual painting starts.

Coca Cola collaboration



Bishop's Pumpkin Farm



RAL 1018

RAL 6018

RAL 2003





Forge the “bone structure” of each attraction.

Our team of specialized workers, welders, carpenters and metal workers, follow the most delicate processes of the construction.



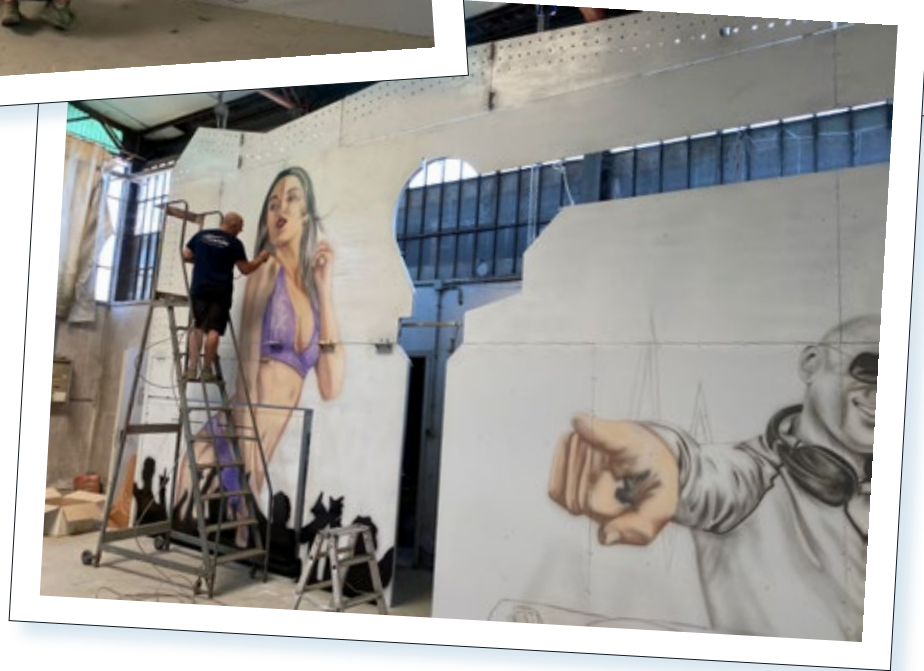


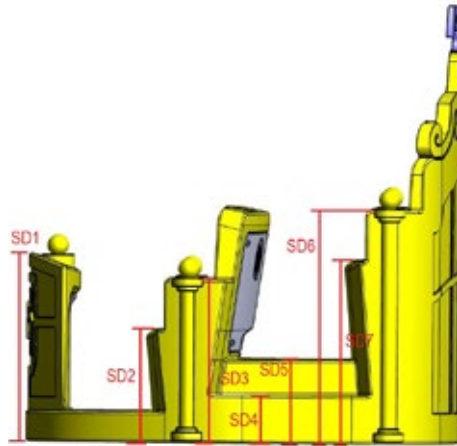
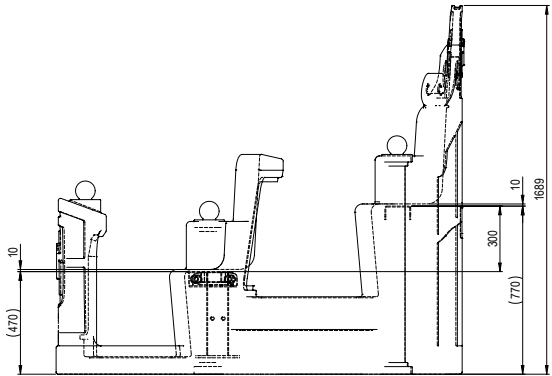
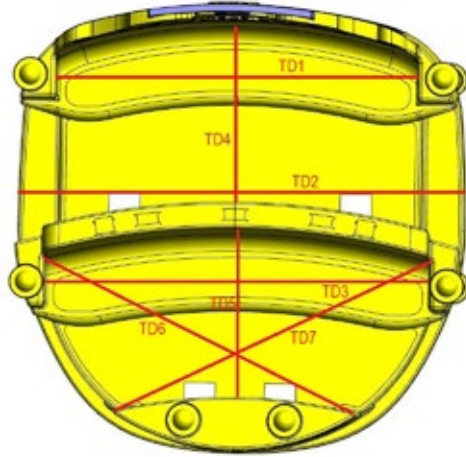
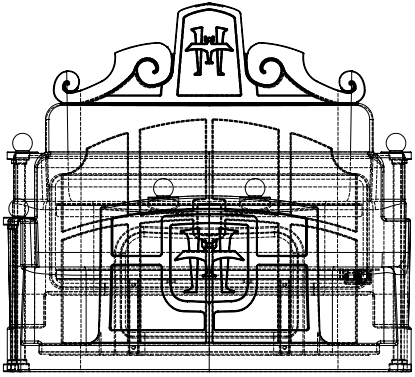
***All the vehicles are made inside
our fiberglass department***

In collaboration with the customization department, our decorators breathe life into the draft by painting the fiberglass vehicles with eye-catching colors and shadings.





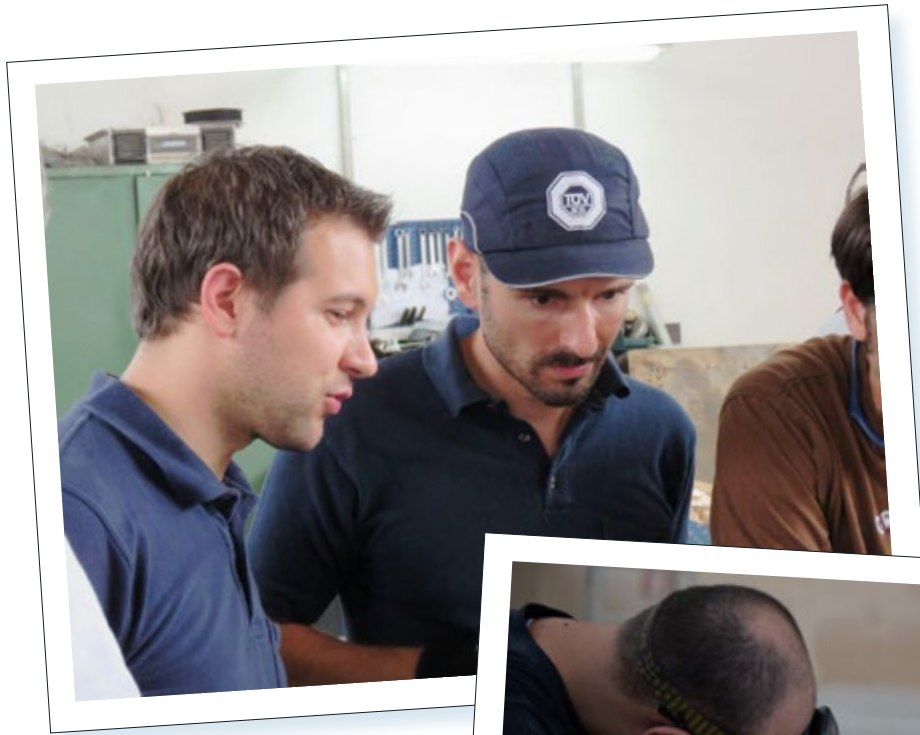




A worker wearing a yellow safety vest and black gloves is testing a mechanical component of an attraction. The worker is using a tool to inspect a white, cylindrical part of the machinery. The background shows a factory setting with various mechanical parts and equipment.

All attractions are fully tested before leaving the factory

Depending on the requirements, a team of supervisors checks and tests the ride, in order to deliver ready-to-operate attractions to our clients.





CERTIFICATO CERTIFICATE

Qualità per la saldatura per fusione dei materiali metallici in accordo alla
UNI EN ISO 3834-2:2006
Quality requirements for fusion welding of metallic materials according to
UNI EN ISO 3834-2:2006

Certificato No.: 523-579-2019
Certificate No.: 523-579-2019

Si certifica che
This is to certify that

SARTORI RIDES S.r.l.
Sede legale ed operativa: Via Del Commercio 19
IT - 35044 MONTAGNANA (PD)
è conforme ai requisiti della norma
has been found compliant with the requirements of

UNI EN ISO 3834-2:2006

per il seguente campo di applicazione:
for the following scope of approval:

Fabbricazione di componenti strutturali di giostre, semirimorchi e rimorchi
Manufacture of structural components of amusement rides, semi-trailers, and trailers

Campo di validità / Validity range: Vedi Allegato / See Annex

Data emissione / Issue date: 05/12/2019
Data 1° emissione / First issue date: 05/12/2019
Data scadenza / Expiry date: 04/12/2022
Auditor / Auditor: Marco Spichiarollo
Coordinatore di Saldatura / Welding Coordinator:
Ing. Claudio Perri (WC - Level Standard)

Per l'Organismo di Certificazione
For the Certification Body
TUV Italia S.r.l.



PRD N° 081B

Membro degli Accordi di Mutuo Riconoscimento
EU, UK e SAC
Signatory of EA, UK and LAC Mutual
Recognition Agreements



Alberto Carelli
Alberto Carelli
Industry Service Division Manager

La validità del presente certificato è subordinata a sorveglianza periodica a 12 mesi e al riesame completo del sistema di gestione aziendale con periodicità triennale
The validity of the present certificate depends on the annual surveillance every 12 months and on the complete review of company's management system after three-years

PSQW-01_M017_06_c01 02/12/2019



CERTIFICATO DI CONFORMITÀ DEL CONTROLLO DELLA PRODUZIONE IN FABBRICA CERTIFICATE OF CONFORMITY OF FACTORY PRODUCTION CONTROL

Certificato N. / Certificate N.
0948-CPR-0441

In conformità al Regolamento (UE) n. 305/2011 del Consiglio della Comunità Europea del 9 Marzo 2011 relativo al recepimento delle disposizioni legislative, regolamentari e amministrative degli Stati Membri concernenti i prodotti da costruzione (Regolamento Prodotti da Costruzione - CPR), è stato definito che il prodotto da costruzione in compliance with the Regulation (EU) n. 305/2011 of the Council of European Communities of 9th March 2011 on the approximation of laws, regulations and administrative provisions of the Member States relating to the construction products (Construction Products Regulation - CPR), it has been stated that the construction products

PRODOTTI METALLICI PER IMPIEGHI STRUTTURALI STRUCTURAL METALLIC PRODUCTS

elencati in allegato, per l'uso previsto in strutture come rientrante nello scopo della norma sotto indicata e prodotto dal fabbricante
listed in the annex, intended for use in structure as covered by the scope of the standard below and produced by the manufacturer

SARTORI RIDES S.R.L.
VIA DEL COMMERCIO, 19
I-35044 MONTAGNANA (PD)
nel sito produttivo / in the factory site
VIA DEL COMMERCIO, 19
I-35044 MONTAGNANA (PD)

È sottoposto dal fabbricante alle prove iniziali di tipo, al controllo della produzione in fabbrica ed alle ulteriori prove su campioni prelevati in fabbrica in conformità ad un prescritto programma di prove e che TÜV ITALIA ha eseguito l'ispezione iniziale della fabbrica e del controllo della produzione in fabbrica ed esegue la sorveglianza continua, la valutazione e l'approvazione del controllo del processo in fabbrica.
Il presente certificato conferma anche il rispetto di tutte le prescrizioni relative all'attestazione del controllo della produzione in fabbrica descritte nell'Appendice ZA delle norme
is submitted by the manufacturer to initial type testing of the product, a factory production control and to the further testing of samples taken at the factory in accordance with a prescribed test plan and TÜV ITALIA has performed the initial inspection of the factory and of the factory production control and performs the continuous surveillance, assessment and approval of the factory production control.
This certificate confirms also the respect of all provisions concerning the attestation of factory production control described in Annex ZA of the standards

EN 1090-1:2009+A1:2011 Esecuzione di strutture di acciaio e di alluminio - Parte 1: Requisiti per la valutazione di conformità dei componenti strutturali

Questo certificato è stato emesso per la prima volta nella sotto indicata data e rimane valido fino a quando le condizioni definite nella suddetta norma armonizzata o le condizioni produttive nella fabbrica e nello stesso controllo della produzione in fabbrica non siano modificate significativamente. Questo certificato è valido solo se accompagnato dall'elenco dei prodotti ricompresi nel controllo della produzione in fabbrica.
This certificate was first issued on the date below and remains valid as long as the conditions laid down in the harmonised Technical Specification in reference or the manufacturing conditions in the factory or the factory production control itself are not modified significantly. This certificate is valid only if accompanied by the list of products under the factory production control

Data prima emissione/First issue date
2019-12-17
Data ultima emissione/Last issue date
2019-12-17

Per l'Organismo di Certificazione
For the Certification Body
TUV Italia S.r.l.
Sesto S. Giovanni (MI)

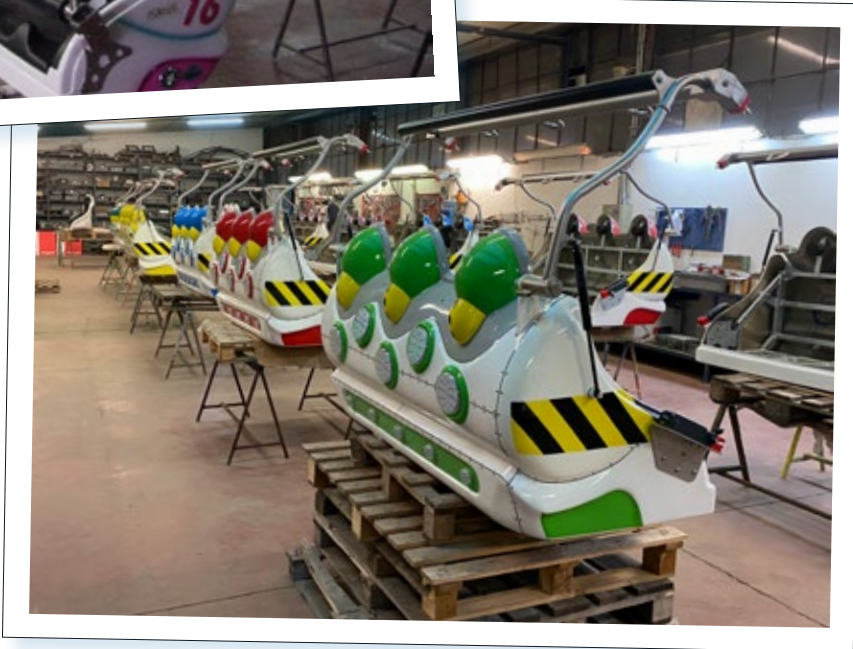


Alberto Carelli
Alberto Carelli
Divisione Div. Industry Service - Industry Service Div. Manager



Mechanical assembly of all components

LEDs are implemented by our electricians, who are also the minds behind the most spectacular light tricks and motions of the attraction.









We take care of our customers

The relationship between Sartori and the clients doesn't end with the delivery: our personnel is always available for after-sales assistance, also with a spare parts supply service.

We have 60+ years of KNOW-HOW & EXPERIENCE



10.000+

BUILT
ATTRACTIONS



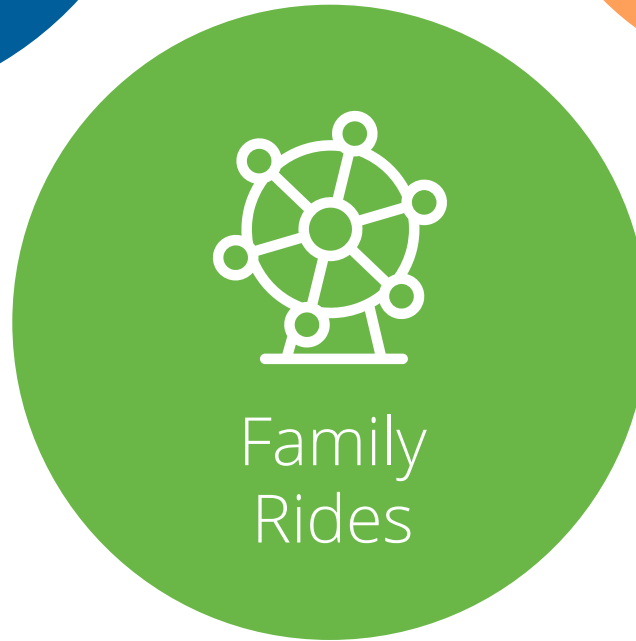
125+

DESIGNED
ATTRACTIONS



100+

EXPORT
COUNTRIES



From Amusement Parks, to itinerant Fun Fairs

We have gained experience with all levels of the business industry Parks, Traveling Carnivals, F.e.c.s.

We specialise in "On trailer" attractions, without forgetting portable and park model rides.



We're experienced in Amusement Park design, layout and theming

Lay out, master plan and final drawings for a mechanical or themed parks.







Sartori Rides srl.

Via del Commercio 19
Montagnana (PD) – 35044 – Italy

Phone: +39 0429-800222
E-mail: info@sartorirides.com
Website: www.sartorirides.com