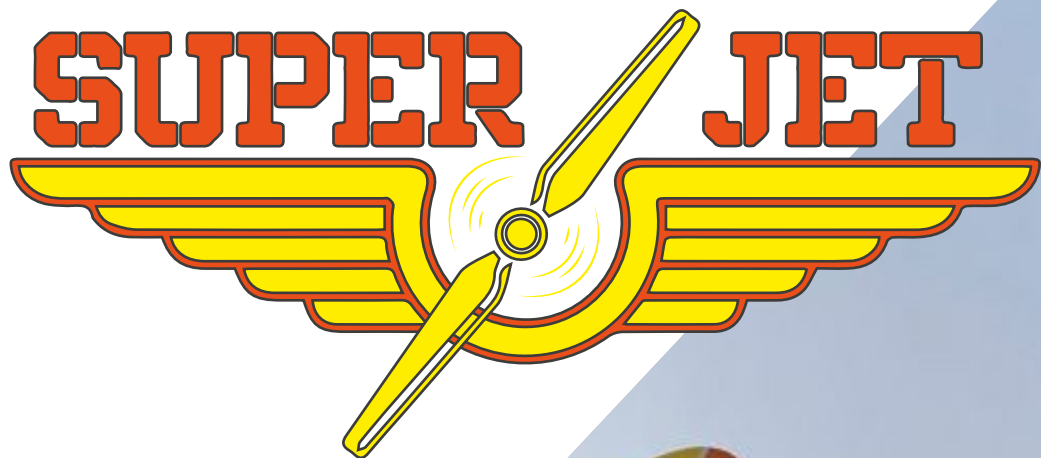


SUPER JET



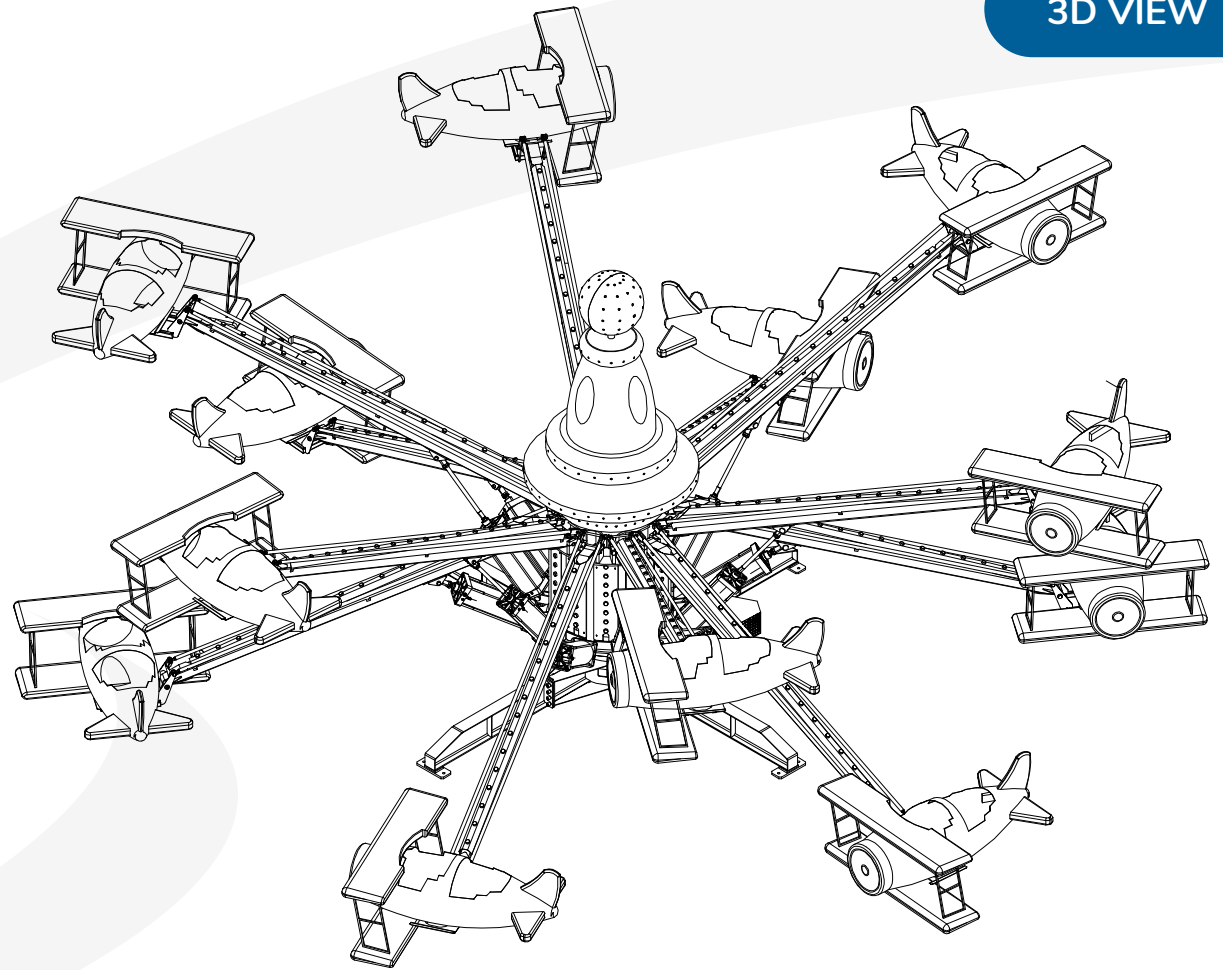
**SARTORI**
AMUSEMENT RIDES

Rides manufacturer since 1957

TECHNICAL SPECIFICATIONS

Park Model / On trailer

3D VIEW



Base Size: ~ Ø 17 m - 55.8 ft

Height: ~ 4 m - 13 ft

Vehicles: 12

Seats/Vehicle: 2 seats/each

Seats: 24 children or 12 children + 12 adults

Th. Capacity: ~ 960 passengers/h

Speed: ~ 6 rpm

Lighting: ~ 8 kW

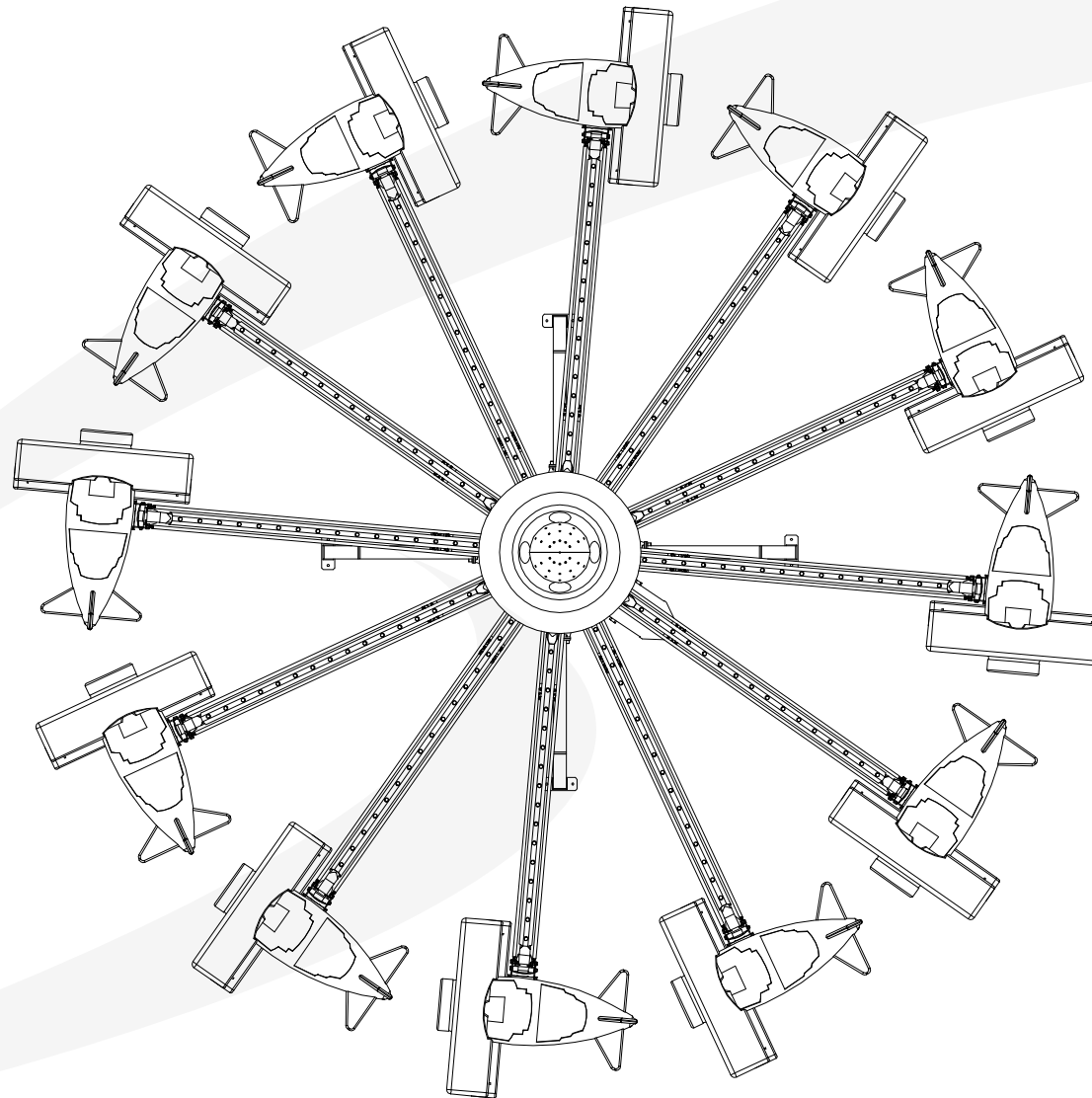
Moving Power: ~ 28 kW



TECHNICAL SPECIFICATIONS

Layout

TOP VIEW

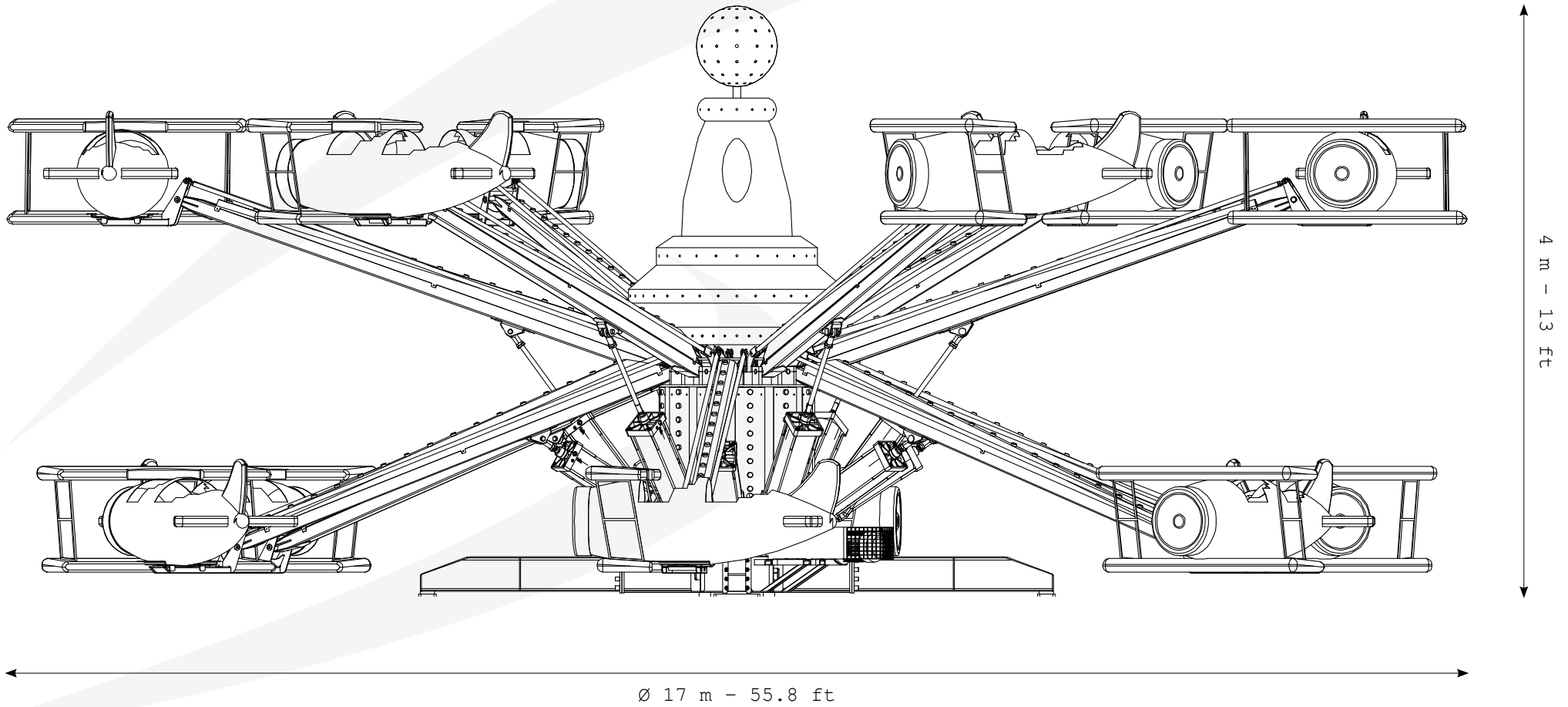


←-----→
Ø 17 m - 55.8 ft

TECHNICAL SPECIFICATIONS

Layout

FRONT VIEW

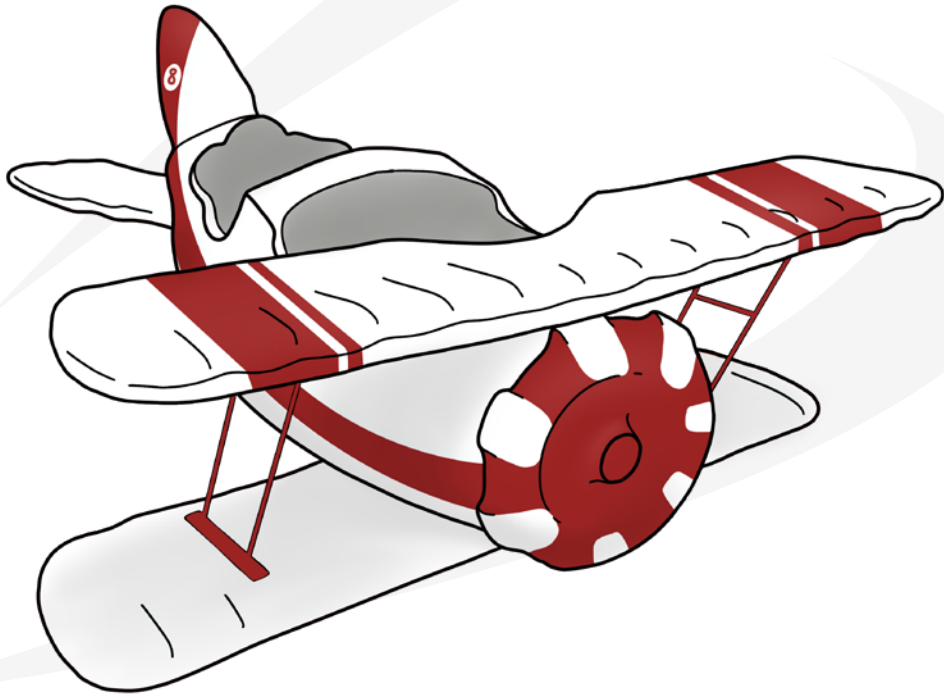
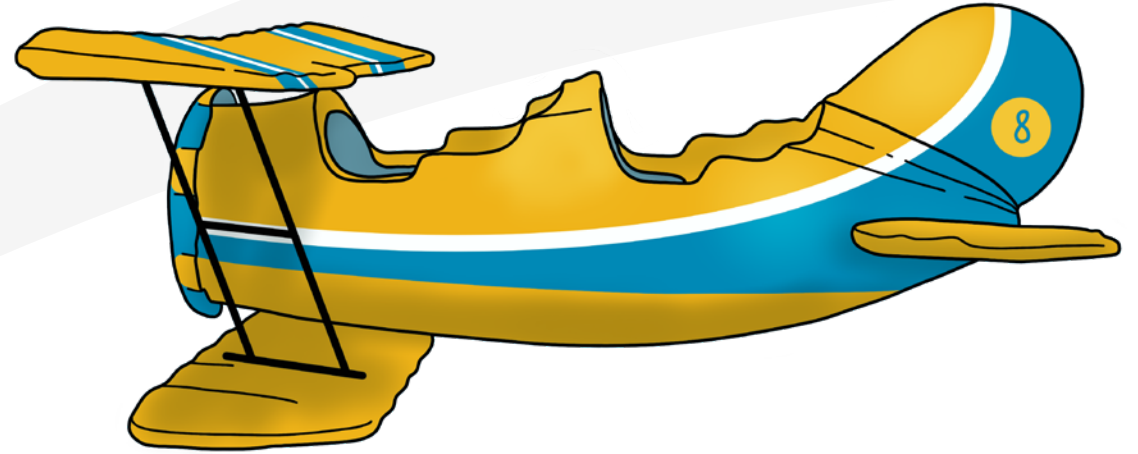


TECHNICAL SPECIFICATIONS

Vehicles

THEMING

Vehicles can be customized both in color and design.





SARTORI
AMUSEMENT RIDES











SARTORI
AMUSEMENT RIDES