

AERATE YOUR BATHROOM WITH TOILÉ?

THE REVOLUTION OF TRADITIONAL TOILETS

*TOILÉ is the sole wc
with integrated
air extractor that
counteracts the release of
contaminated aerosol
and bad odors...*

MADE IN ITALY
PATENTED

**PLANUS**



PLANUS

Experience is the guarantee

Planus SpA is an Italian manufacturing company. We have extensive personal experience in the production of macerators and other automatic pumping devices, having been involved in this field for more than 30 years. In the past, we operated under different brand names. Born in 2009, Planus SpA offers a wide range of technologically advanced products.

www.planus.eu



The generated aerosol usually has bad odor

The use of a traditional toilet causes the contamination of the air and surfaces of the entire bathroom environment.



It takes a long time to get complete air exchange via a wall exhaust fan or with opening the window, which in cold months causes the bathroom temperature to drop sharply.

While using the toilet the bad odor spread out from the wc and remain suspended in the air for a long time.

Toilé is the solution

TOILLÉ

THE TOILET
EVOLUTION



TOILÉ

TOILÉ RANGE
INCLUDES THE
COORDINATED
BIDET

*It replaces any type
of existing toilet
without masonry works*

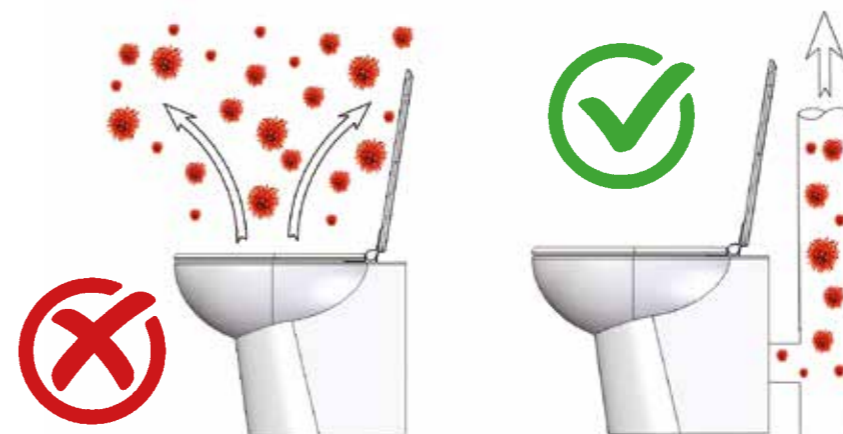


MADE IN ITALY
PATENTED



Toilé solves the problem of bad smells by removing them before they come out the bowl, avoiding its spread. Furthermore, numerous official studies carried out internationally have shown that viruses and bacteria, including Coronavirus, are widely present in the aerosol generated during the use of the toilet. Thanks to its technology, **the toilet with integrated air aspirator conveys the sucked aerosol towards the drain** column sewage system.

**A modern and essential range,
with a pure design that hides
an exclusive and patented
technology inside**



PLANUS

TOILÉ H50

Designed for bathrooms easily accessible by the third age



50 CM

MADE IN ITALY
PATENTED

Without sacrificing style and functionality, Toilé H50 has been designed with ergonomically more suitable measures to be used by the elderly and / or people with motor difficulties, and fits perfectly to any type of request, **making the bathroom elegant, accessible and safe**, not only in your home but also in public facilities such as rest homes and APA.

TOILÉ H50-AID

Il Wc Toilé è dotato di sensore di presenza a richiesta



Toilé is also available in a version dedicated to people with disabilities, characterized not only by increased height, but also by the front opening to facilitate intimate hygiene. Especially with this version, suitable for hospitality and public structures, it is possible to add the motion sensor for automatic activation, also available for other versions. The photocell allows **automatic activation of the aspirator upon detection of presence**, also avoiding physical contact with the manual switch.

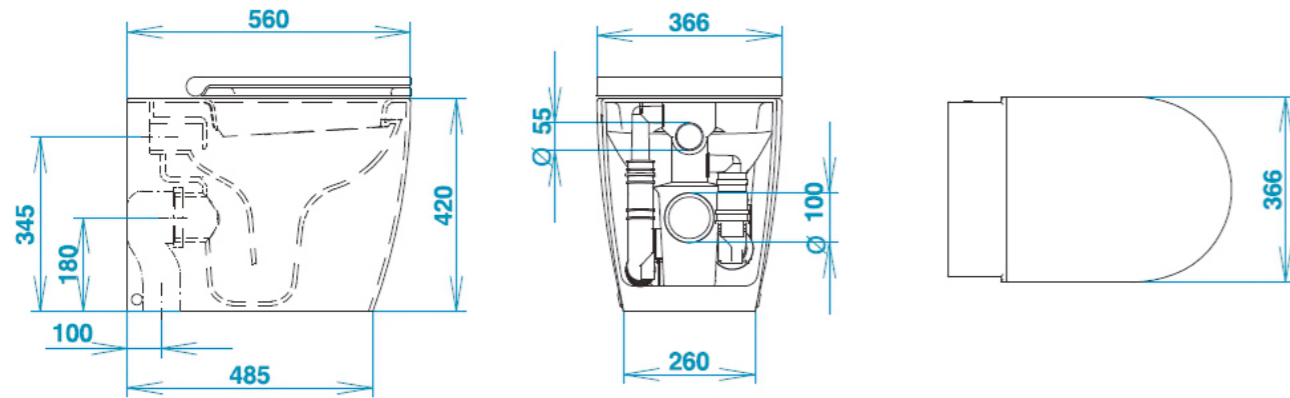


PLANUS

TOILÉ WC

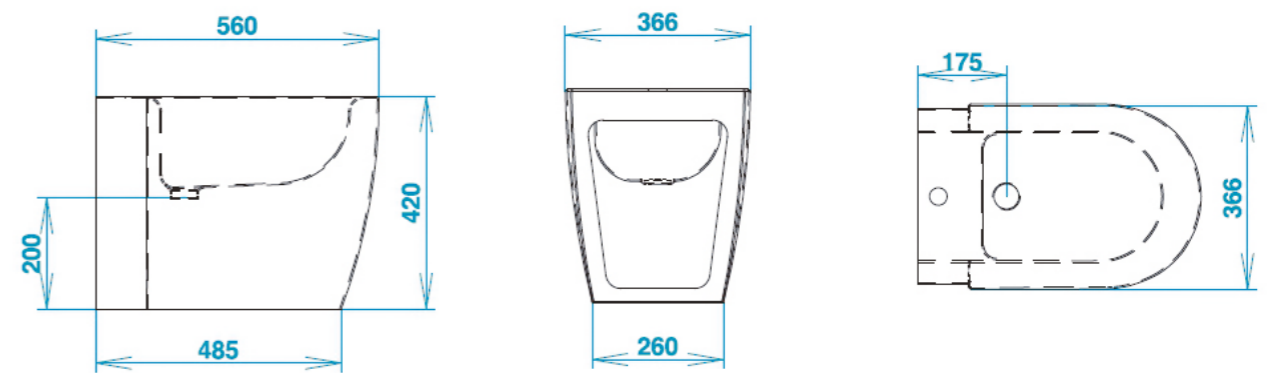
WC WITH INTEGRATED AIR ASPIRATOR
THAT COUNTERACTS THE DIFFUSION OF
CONTAMINATED AEROSOL AND BAD ODORS.
TOILET SEAT WITH SOFT CLOSE INCLUDED

56x36,6x h 42 CM



TOILÉ BIDET

COORDINATE SINGLE-HOLE BIDET
56x36,6x h 42 CM



TECHNICAL DATA

Power Supply	220-240Va, 50Hz
Absorption	55 W
Discharge capacity	6 litri (EN997:2012)
Norms	EN33 – EN60335-1

ACCESSORY ON REQUEST:

It is possible to have Toilé equipped with **motion sensor**. This way, the self activation of the aspirator allows to avoid any physical contact with the manual switch.

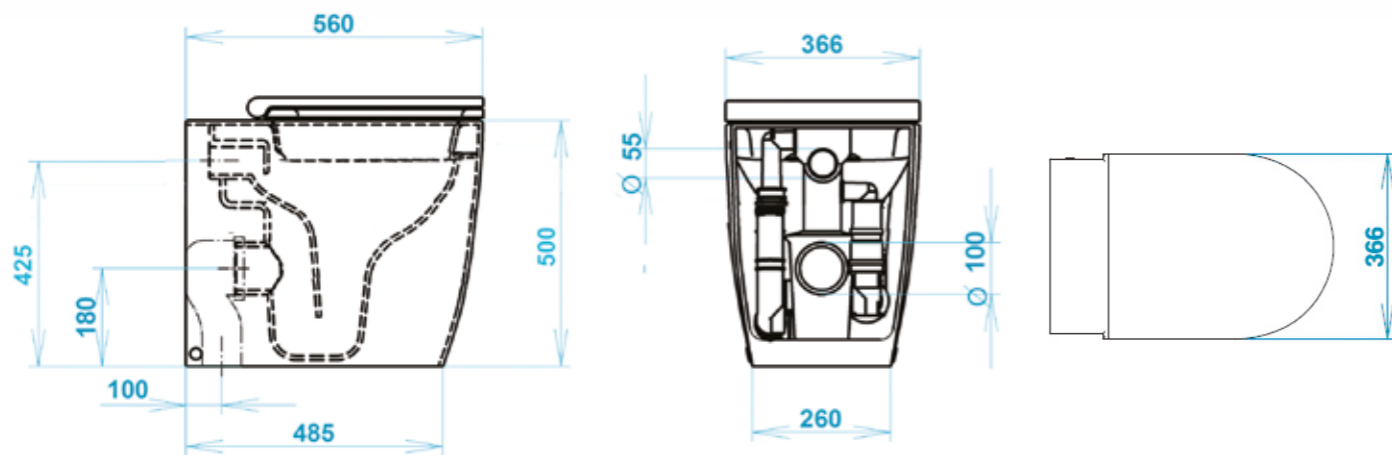
Available in satin black and white.



TOILÉ WC H50

WC WITH INTEGRATED AIR ASPIRATOR
 THAT COUNTERACTS THE DIFFUSION OF
 CONTAMINATED AEROSOL AND BAD ODORS.
 TOILET SEAT WITH SOFT CLOSE INCLUDED
 VERSION FOR THIRD AGE.

56x36,6x h 50 CM



TECHNICAL DATA

Power Supply	220-240Va, 50Hz
Absorption	55 W
Discharge capacity	6 litri (EN997:2012)
Norms	EN33 – EN60335-1

ACCESSORY ON REQUEST:

It is possible to have Toilé equipped with **motion sensor**. This way, the self activation of the aspirator allows to avoid any physical contact with the manual switch.

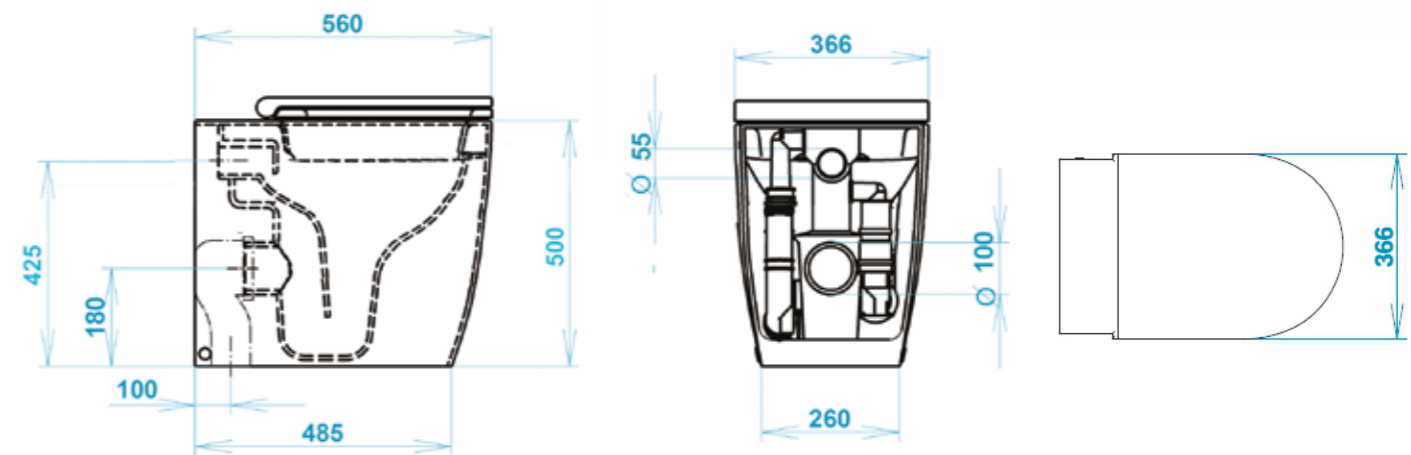
Available in satin black and white.



TOILÉ WC H50-AID

WC WITH INTEGRATED AIR ASPIRATOR
 THAT COUNTERACTS THE DIFFUSION OF
 CONTAMINATED AEROSOL AND BAD ODORS.
 TOILET SEAT WITH SOFT CLOSE INCLUDED
 VERSION FOR DISABLED.

56x36,6x h 50 CM



TECHNICAL DATA

Power Supply	220-240Va, 50Hz
Absorption	55 W
Discharge capacity	6 litri (EN997:2012)
Norms	EN33 – EN60335-1

ACCESSORY ON REQUEST:

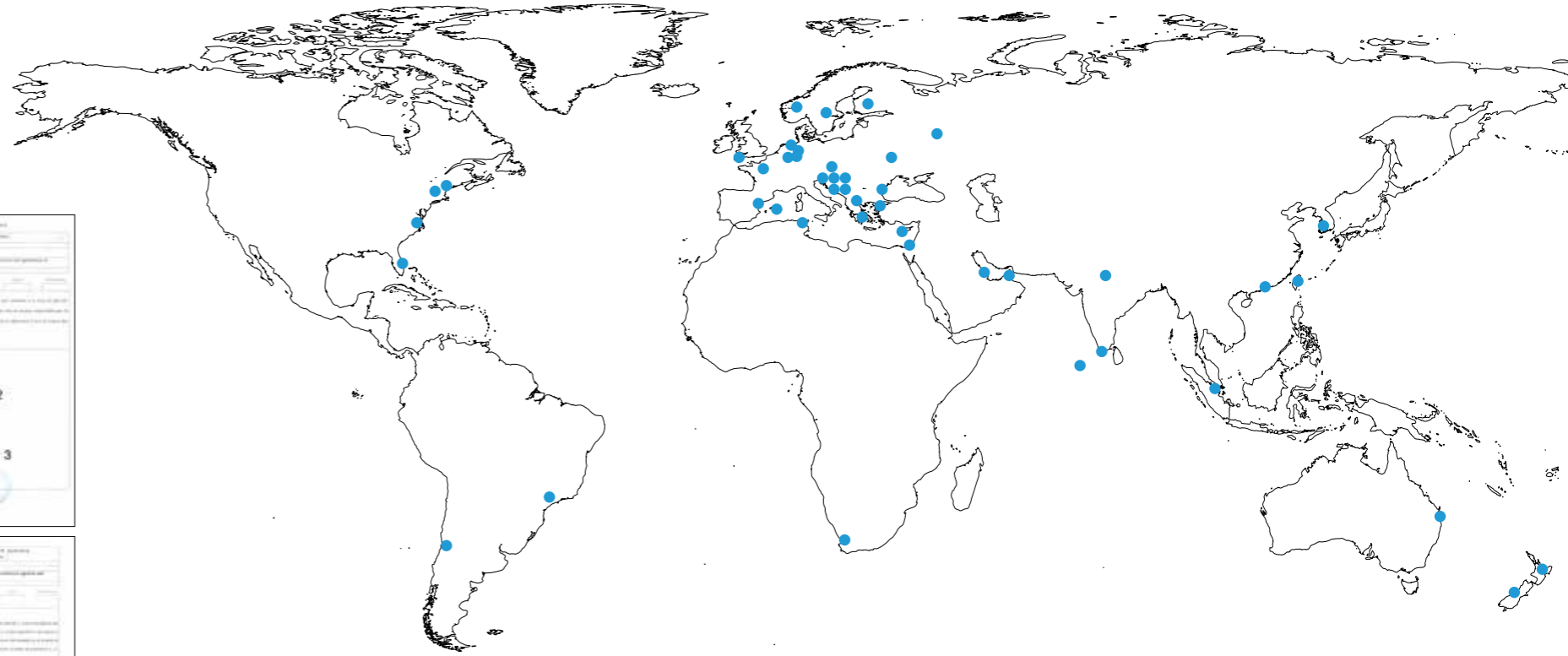
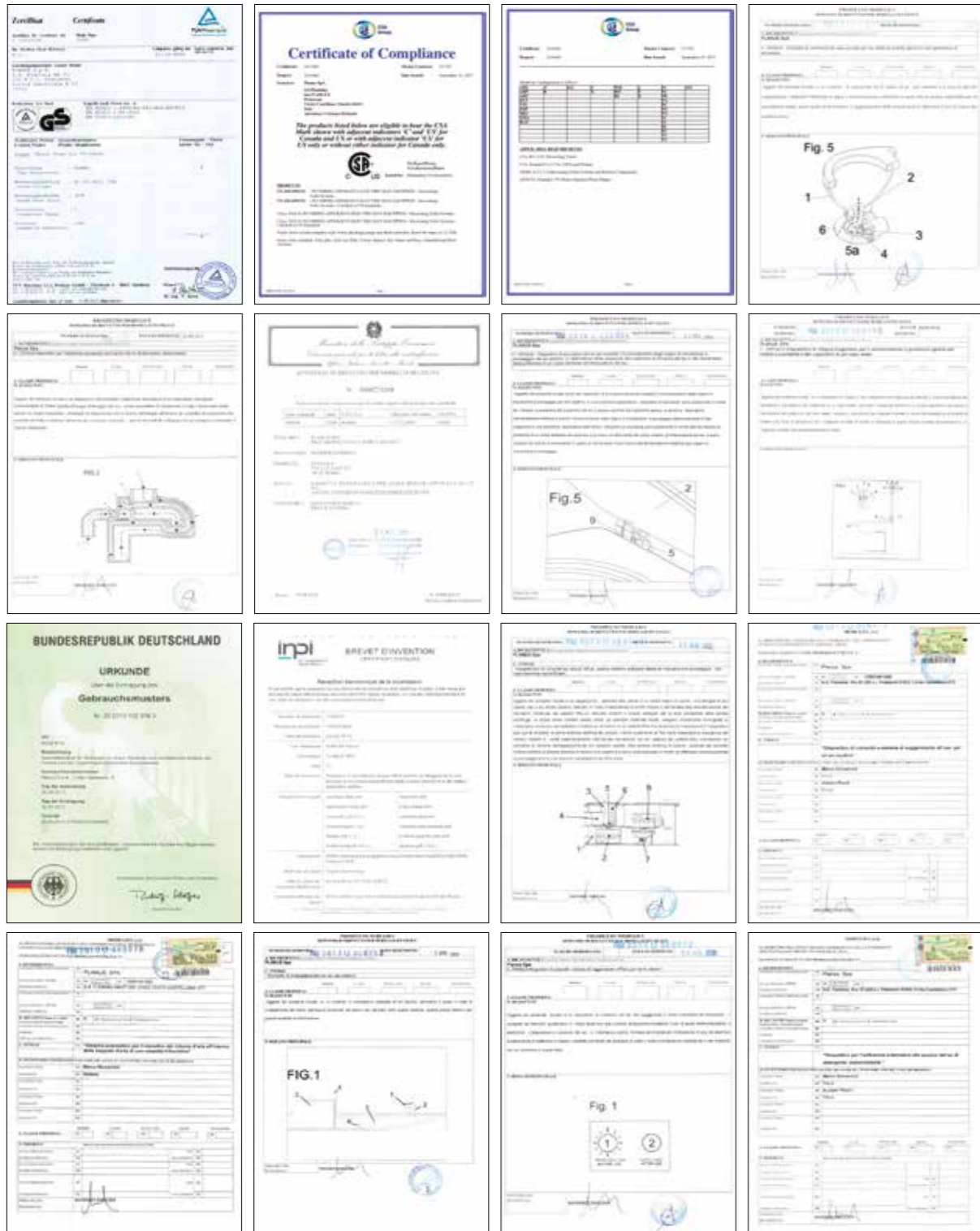
It is possible to have Toilé equipped with **motion sensor**. This way, the self activation of the aspirator allows to avoid any physical contact with the manual switch.

Available in satin black and white.



22 PATENTS DEPOSITED

The search for new solutions and the design of innovative products are the basis of our business.
Over time our staff has filed 22 patents.



NETWORK

EUROPE
FRANCE
GERMANY
HOLLAND
SPAIN
BALEARIC
BELGIUM
GREAT BRITAIN
GREECE
BULGARIA
SERBIA
NORTH MACEDONIA
UKRAINE
SLOVENIA
CROATIA
PRINCIPALITY OF MONACO
MALTA
NORWAY
SWEDEN
FINLAND

ASIA
RUSSIA
INDIA
SRI LANKA
MALDIVES

ASIA MIDDLE EAST
UNITED ARAB EMIRATES
BAHRAIN
ISRAEL
CYPRUS
TÜRKIYE

FAR EAST ASIA
CHINA
JAPAN
SINGAPORE
SOUTH KOREA
TAIWAN

AFRICA
TUNISIA
SOUTH AFRICA

OCEANIA
AUSTRALIA
NEW ZELAND

UNITED STATES
FLORIDA
NORTH CAROLINA
NEW YORK
RHODE ISLAND

SOUTH AMERICA
BRAZIL
CHILE



PLANUS SpA

Head Office: Via S. Giovanni Valdarno, 8 - 00138 Roma - Italy

Factory: S.S. Flaminia Km 57,250 - Z.I. Prataroni
01033 Civita Castellana - Italy

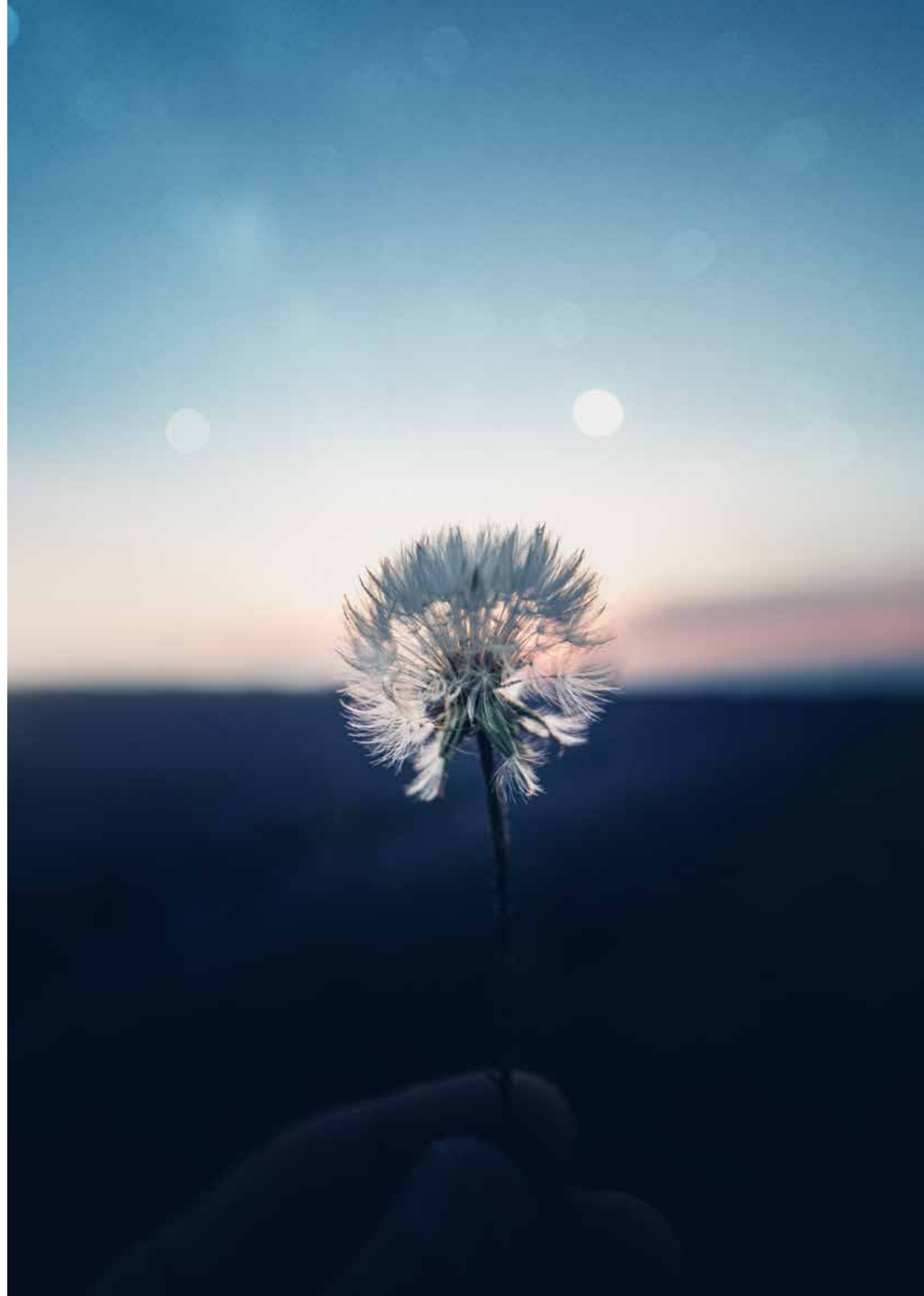
Phone: +39 0761 542052 | Fax: +39 0761 540723
Mail: info@planus.eu

www.planus.eu

The company retain
the right to effect
modifications, without
any notice.

Graphic & Photo

Studio21 - www.studioventuno.eu



www.planus.eu

