

FASTENING SYSTEMS FOR
STEEL PANEL RADIATORS



THE PROFESSIONAL RANGE

WE THINK THAT EVERY PROBLEM CAN BE SOLVED WITH A TOUCH OF CREATIVITY. WE DO THIS BY OFFERING PRACTICAL, FUNCTIONAL AND CUSTOMISED SOLUTIONS, DESIGNING FASTENING SYSTEMS WITH THE AIM OF MAKING THE WORLD A SAFER PLACE.



FIX IT



TECHNICAL DATA SUBJECT TO MODIFICATIONS
THE PRICE LIST IS NOT AVAILABLE AS HARDCOPY

TO GET THE PRICE LIST IN ELECTRONIC FORMAT, PLEASE SEND AN E-MAIL TO marketing@mb-fix.it WITH YOUR FULL DATA

HAVE IT YOUR WAY

OUR COLOUR PALETTE FOR PLASTIC COVERS

OFF THE CHART. Our mounting systems are finished as standard with a high-gloss white epoxy powder coating. If you want to, we are also able to provide them in a set of special colours, to better suit the environment where they are placed in.

MADE
in Italy

solutions
FOR YOU

COLOUR PALETTE FOR PLASTIC COVERS



RAL 7004



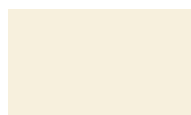
RAL 7016



RAL 7021



RAL 7026



RAL 9001



RAL 9022

For most bracket types, the plastic covers in the special colours of this palette will be readily available, to get a perfect aesthetic result also when time is short.

MB AND VDI 6036

YOUR SPECIALIST FOR RADIATORS MOUNTING SYSTEMS



Safety is the most important concern when mounting radiators on the wall or on the floor. At MB we take this very seriously, using our knowledge and experience to develop and produce brackets that are 100% safe when mounted correctly. We take care of ensuring that no problem arises also when radiators are used in an anomalous way. **Our special team tested the brackets even in very peculiar situations:** just have a look at our video <http://vimeo.com/mbfix/vdi6036> to watch more and have fun! **We do not encourage you to do the same, but if you do, please make sure that your wall is robust enough;** one must never forget to take into consideration the wall characteristics when choosing screws, plugs and number of brackets to mount his/her radiator.

MB developed several dedicated solutions, both for wall and floor mounting, **complying to class 3 of VDI 6036**, i.e. to the highest safety level, apart from individually defined prescriptions in special environments. For each bracket, a **comprehensive table specifying how many brackets** have to be used for each radiator size is available for **download from www.mb-fix.it**.

MB AND VDI 6036

YOUR SPECIALIST FOR RADIATORS MOUNTING SYSTEMS



The recent **VDI 6036** directive is changing the way installers, engineers and architects think of safety in mounting radiators. Depending on the application and placement of the radiator, limits are set to forces and displacements. In public places like hospitals, schools, banks, stadiums, etc. a higher standard is required. **TÜV SÜD** verified the conformity to the directive of a comprehensive list of **MB brackets for all radiator types and applications**, for extra safety and confidence for our customers.



N° VA_MES 15 02 051

READY-FOR-USE FLOOR STANDING BRACKETS

PK SERIES FLOOR BRACKETS FOR STEEL PANELS WITH INNER CONVECTORS, HEIGHT 300 mm AND ABOVE

CODE



60741001 Set of 2 PK1 floor brackets in white, including QKK and QKF covers

1

170

60741003 Set of 2 PK3 floor brackets in white, including QKK and QKP covers

1

250



PK1
FOR RAW FLOOR

PK3
FOR FINISHED FLOOR

QKK



QKF



QKK



QKP



N° VA_MES 15 02 051

THE PIPE

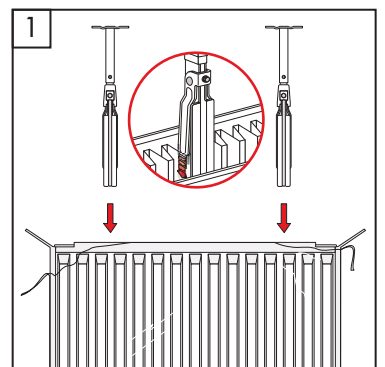
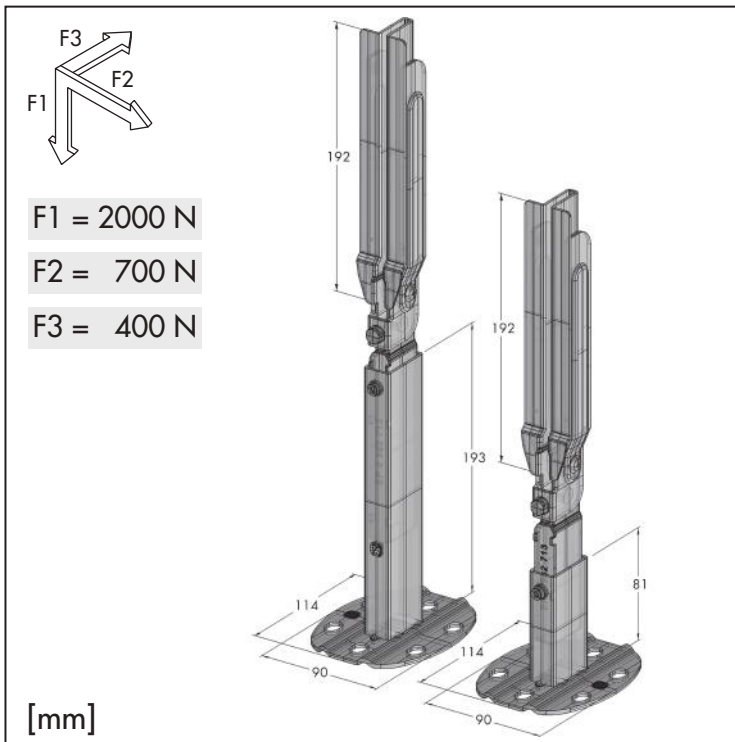
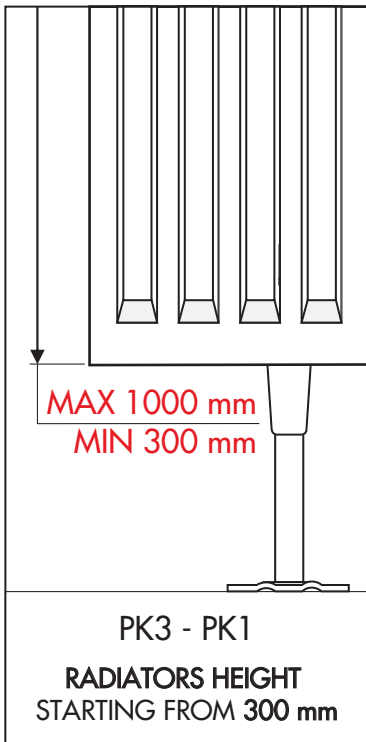
SUITABLE FOR



CODE

60705024

HAVE IT



READY-FOR-USE FLOOR STANDING BRACKETS

PK SERIES FLOOR BRACKETS FOR STEEL PANELS WITH INNER CONVECTORS, HEIGHT 200 - 300 mm

CODE



60740021 Set of 2 PK21 floor brackets in white, including QKK and QKF covers

1

170

60740023 Set of 2 PK23 floor brackets in white, including QKK and QKP covers

1

250



N° B 15 01 68251

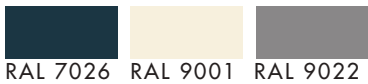
COVERS

ALL TYPES

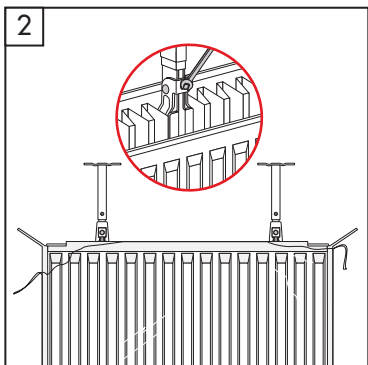


2x QKR

YOUR WAY



RAL 7026 RAL 9001 RAL 9022



PK23
FOR FINISHED FLOOR

QKK



QKP

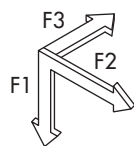


PK21
FOR RAW FLOOR

QKK



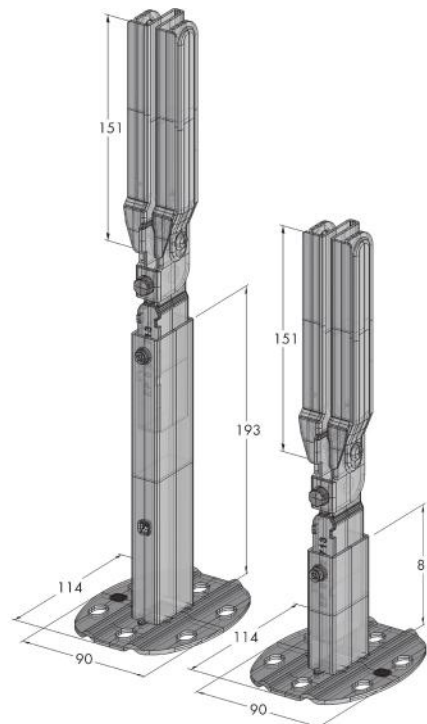
QKF



F1 = 2000 N

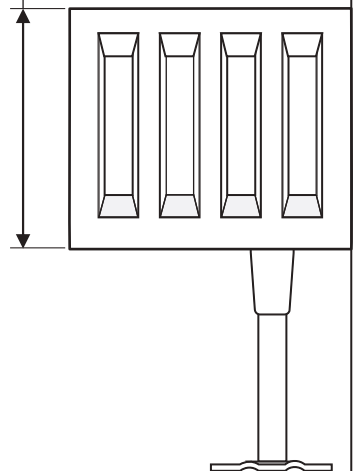
F2 = 700 N

F3 = 400 N



[mm]

MAX 300 mm
MIN 200 mm

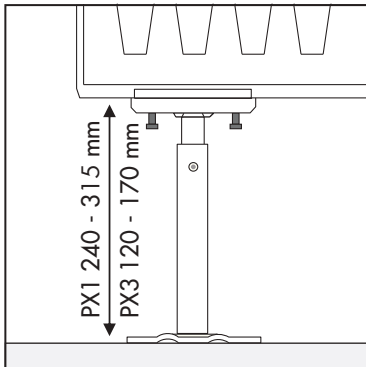
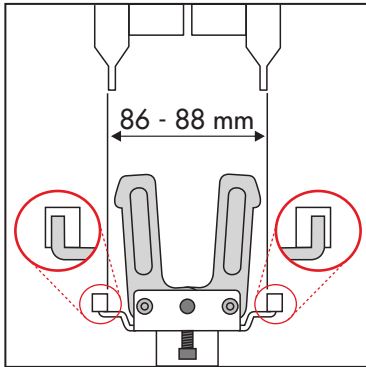
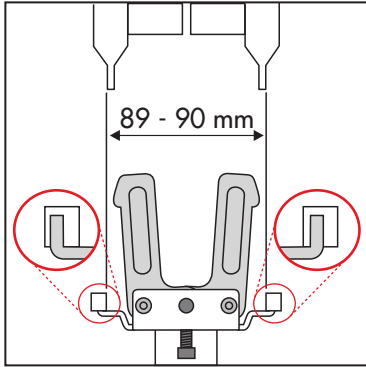
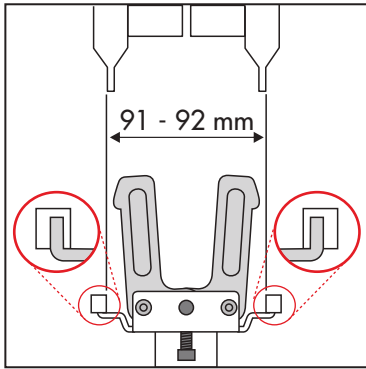


PK23 - PK21
RADIATORS HEIGHT
UP TO 300 mm



READY-FOR-USE FLOOR STANDING BRACKETS

PX SERIES FOR DOUBLE AND TRIPLE PANELS



CODE

60753010	Set of 2 PX1 floor brackets in white, including QKF covers	1	100
60753030	Set of 2 PX3 floor brackets in white, including QKP covers	1	250



N° VA_MES 15 02 051

PX1
FOR RAW FLOOR

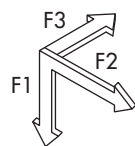


QKF

PX3
FOR FINISHED FLOOR



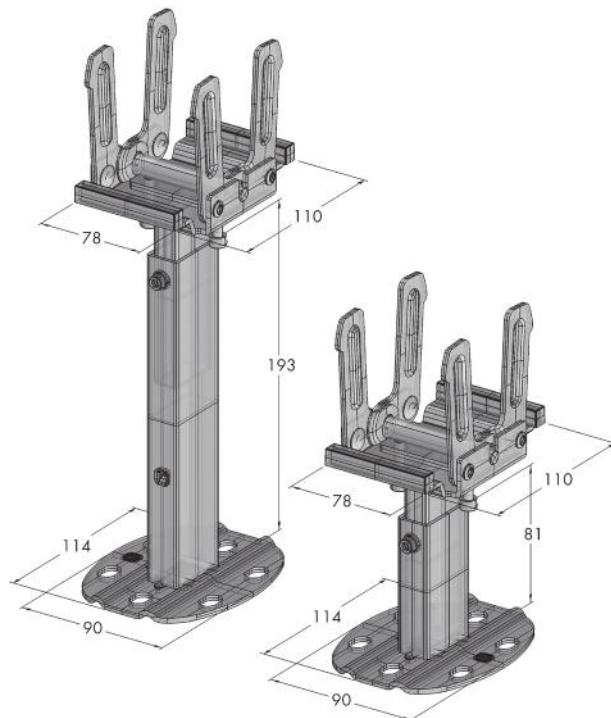
QKP



F1 = 2000 N

F2 = 700 N

F3 = 400 N

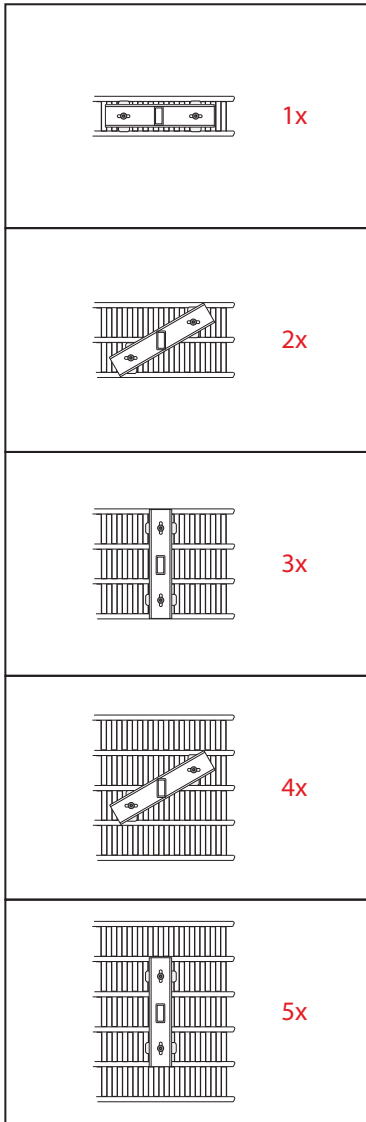


[mm]



READY-FOR-USE FLOOR STANDING BRACKETS

PKK SERIES FOR CONVECTORS

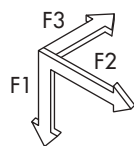
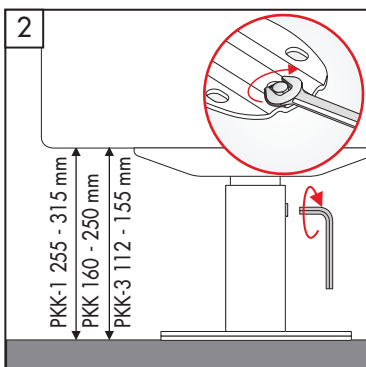
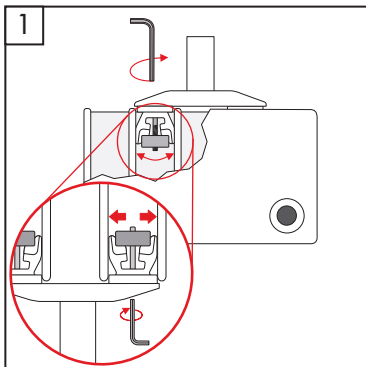
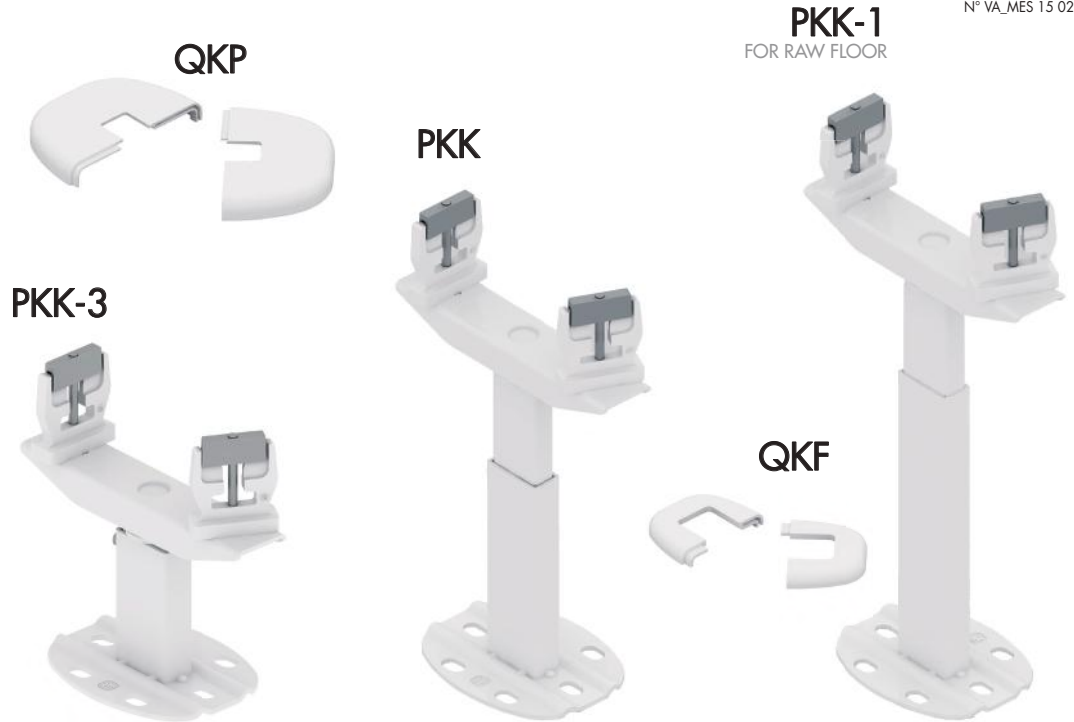


CODE

60744011	Set of 2 PKK-1 floor brackets in white, including QKF covers	1	100
60744010	Set of 2 PKK floor brackets in white, including QKF covers	1	160
60744013	Set of 2 PKK-3 floor brackets in white, including QKF covers	1	160



N° VA_MES 15 02 051

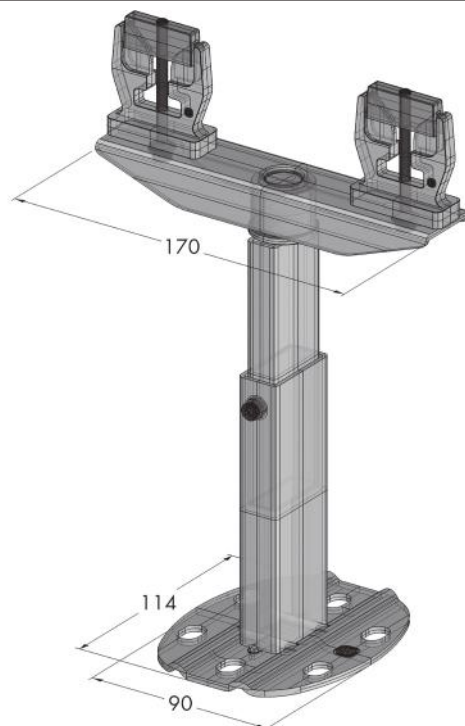


F1 = 2000 N

F2 = 700 N

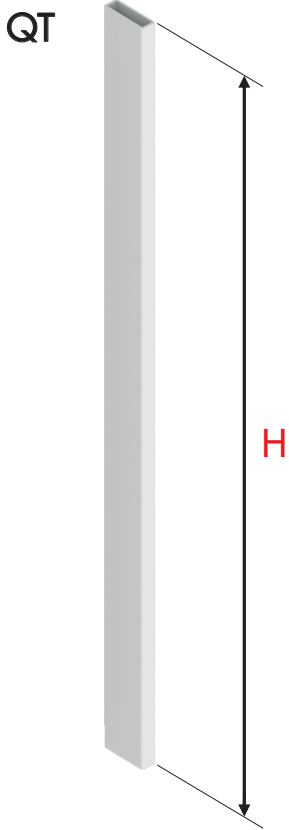
F3 = 400 N



[mm]

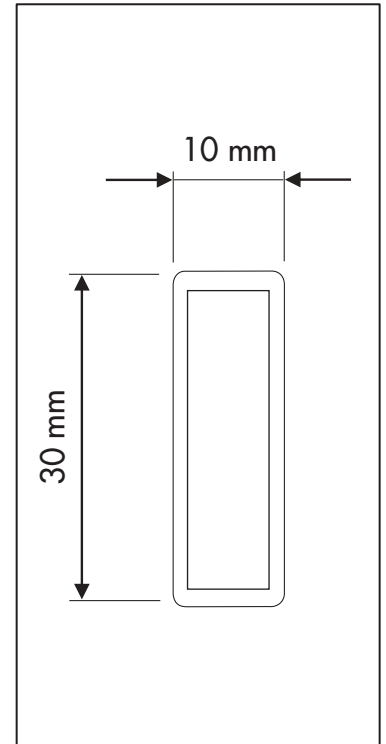




MODULAR FLOOR STANDING BRACKETS

QT-QB SERIES AND ACCESSORIES

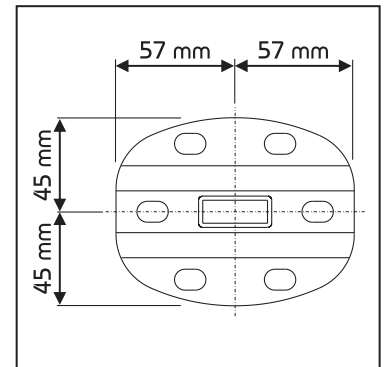




CODE			
60705046	QT tube H = 460 mm, in white	1	170
60705056	QT tube H = 560 mm, in white	1	250
60705066	QT tube H = 660 mm, in white	1	250
60705076	QT tube H = 760 mm, in white	1	250
60705086	QT tube H = 860 mm, in white	1	250
60705096	QT tube H = 960 mm, in white	1	250
60705106	QT tube H = 1060 mm, in white	1	250
60705116	QT tube H = 1160 mm, in white	1	250



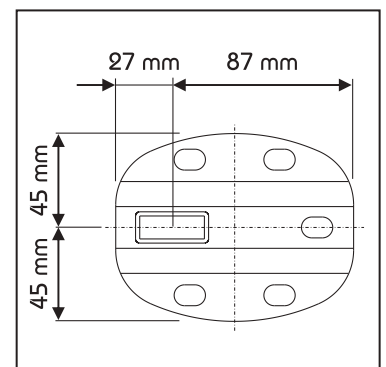
CODE			
60705000	QB base, in white	50	2500
60705012	QK cover, in white	20	4000

HAVE IT YOUR WAY



CODE			
60705005	QBX base, in white	50	2500
60705013	QKX cover, in white	20	4000

HAVE IT YOUR WAY



MODULAR FLOOR STANDING BRACKETS

QT-QB SERIES AND ACCESSORIES - INNER MOUNTING

Q1



Q7



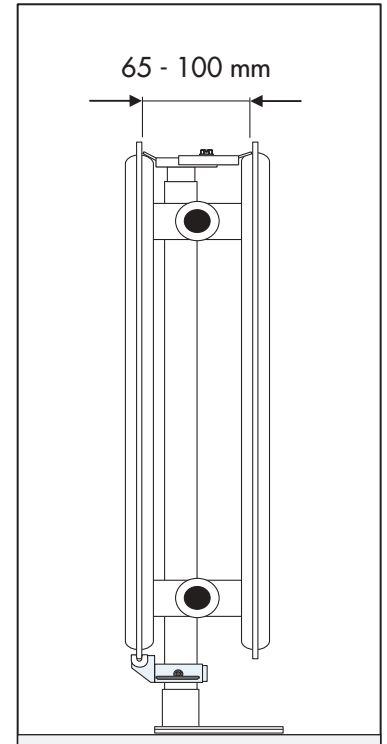
CODE

60705900 QN1 set, including Q1 and Q7



50

2750



MODULAR FLOOR STANDING BRACKETS

QT-QB SERIES AND ACCESSORIES - MOUNTING ON BACK SUPPORTS

Q9



Q6



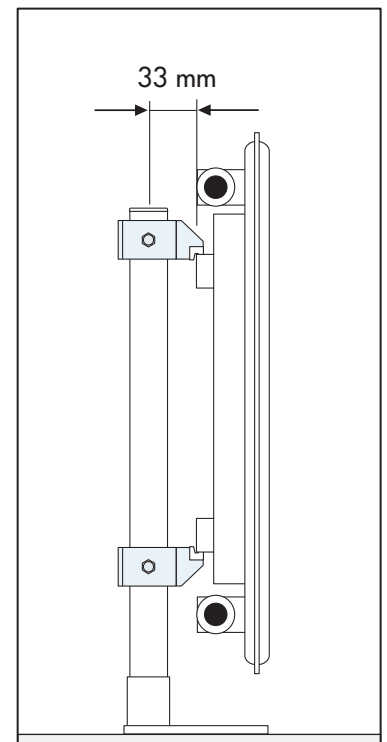
CODE

60705203 QE set, including 2 Q6 and Q9



50

2750



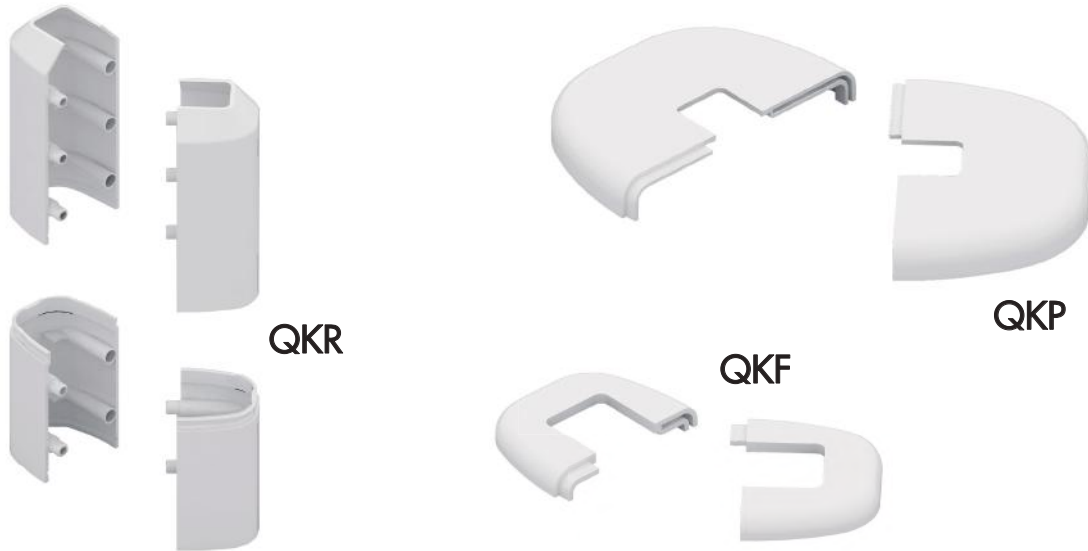
PLASTIC COVERS

FOR FLOOR BRACKETS

CODE



60705022	QKF cover, in white (spare part)	20	4000
60705020	QKP cover, in white (spare part)	20	2500
60705420	Set of 2 QKR covers, in white	25	2000



HAVE IT YOUR WAY



RAL 7004



RAL 7016



RAL 7021



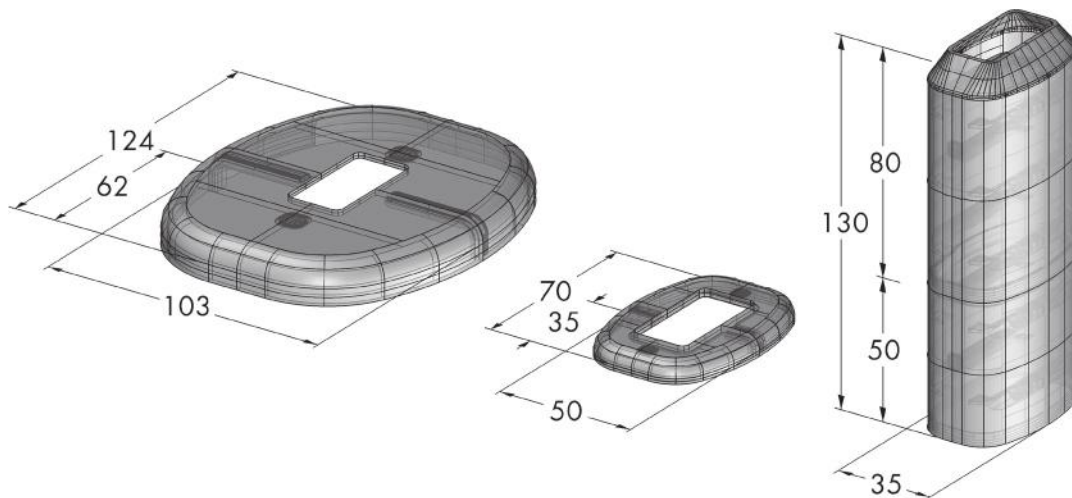
RAL 7026



RAL 9001



RAL 9022



[mm]



WALL BRACKETS

F7V SERIES QUICK-MOUNTING BRACKETS FOR PANEL RADIATORS WITHOUT BACK SUPPORTS, WITH ANTI-LIFT MECHANISM, INCLUDING SC6 ANTI-SLIDING SAFETIES

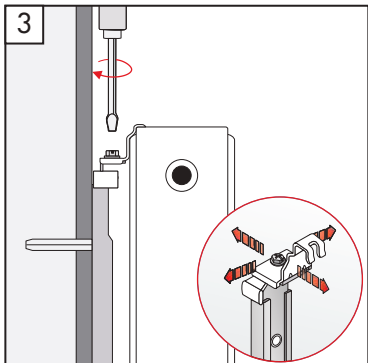
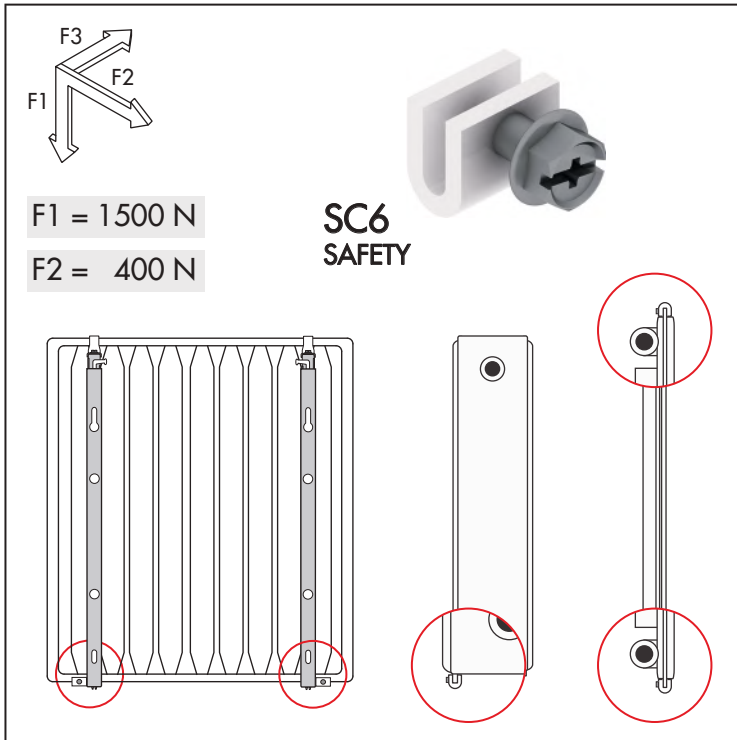
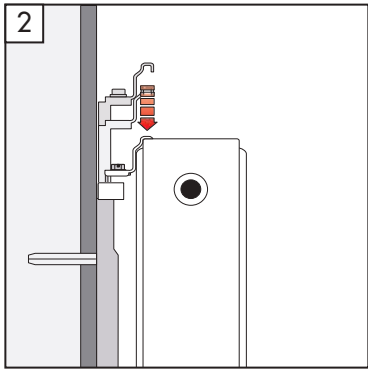
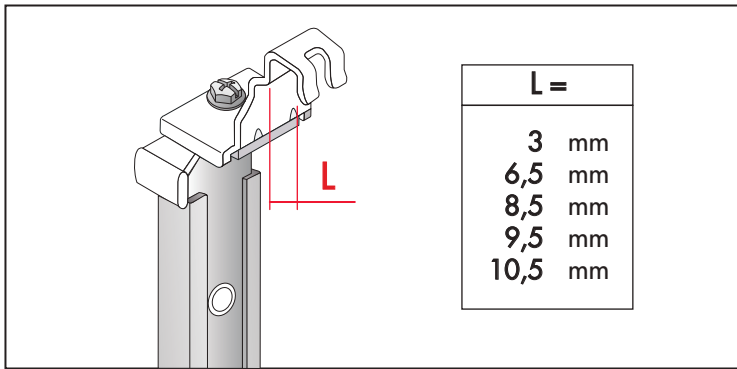
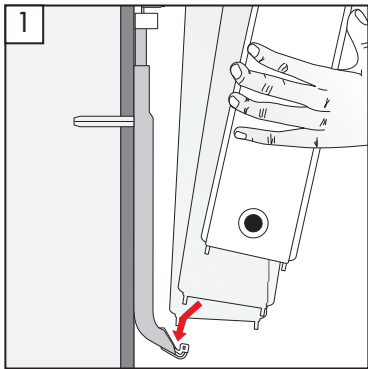
CODE

CODE	Description	Screws	Brackets	Box	Pallets
60630030S	Set of 2 F7V Easy for H=300, L=6,5 +			50	800
60630040S	Set of 2 F7V Easy for H=400, L=6,5 +			50	800
60630050S	Set of 2 F7V Easy for H=500, L=6,5 +			50	600
60630060S	Set of 2 F7V Easy for H=600, L=6,5 +			50	600
60630070S	Set of 2 F7V Easy for H=700, L=6,5 +			25	300
60630090S	Set of 2 F7V Easy for H=900, L=6,5 +			25	300



N° VA_MES 15 02 051

OTHER HEIGHTS, HOOK SHAPES AND SIZES ARE AVAILABLE ON REQUEST.



**F7V
EASY**

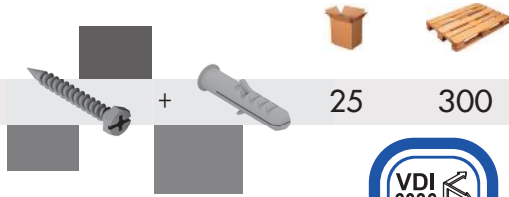


WALL BRACKETS

F7V SERIES QUICK-MOUNTING BRACKETS WITH ANTI-LIFT MECHANISM
VERSION FOR VERTICAL PANELS, INCLUDING SC6 ANTI-SLIDING SAFETIES

CODE

60630070T Set of 2 F7VERT, including SC6 safeties,

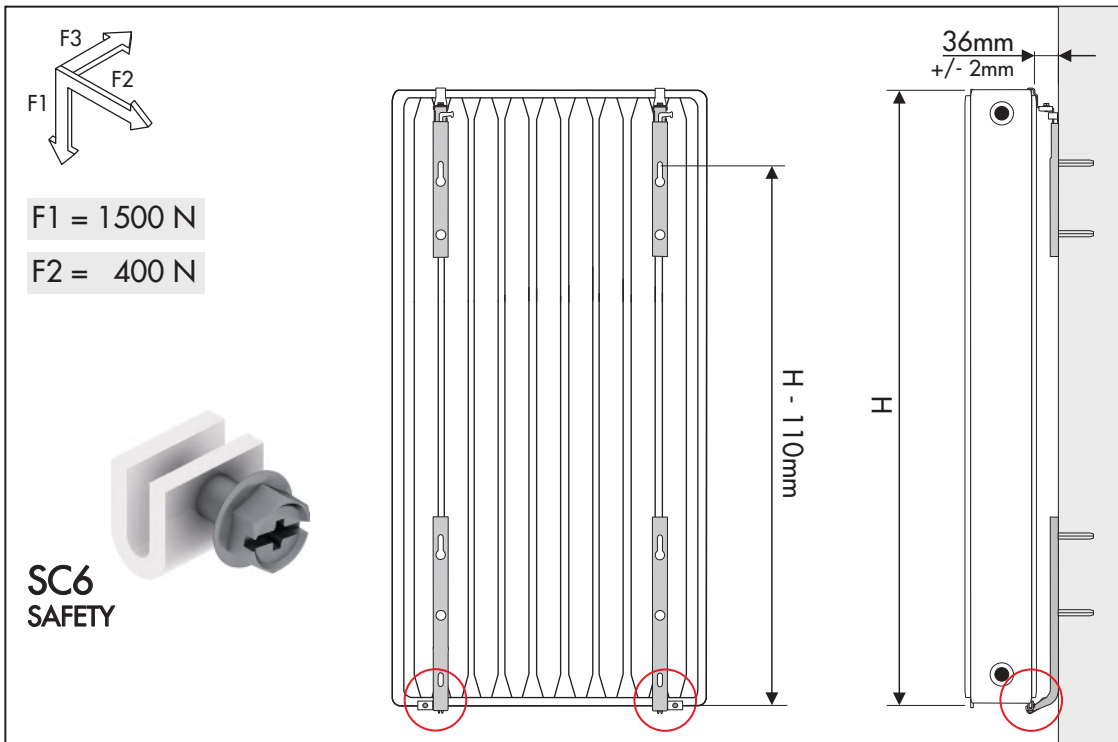
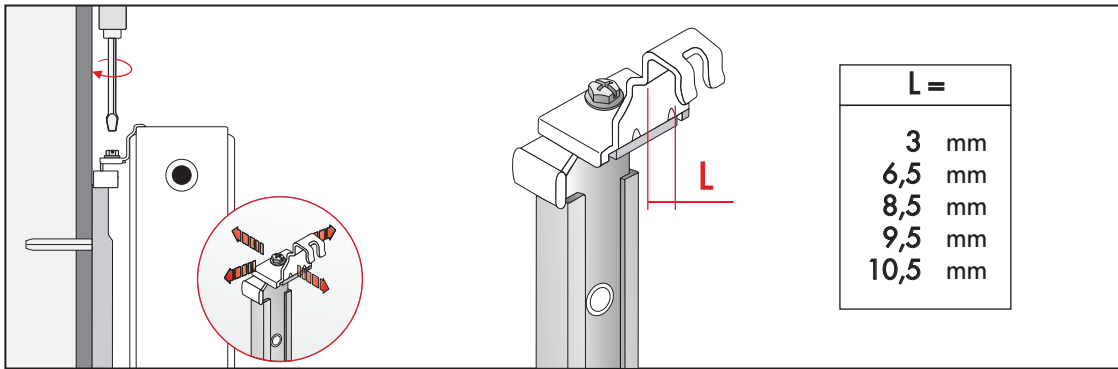
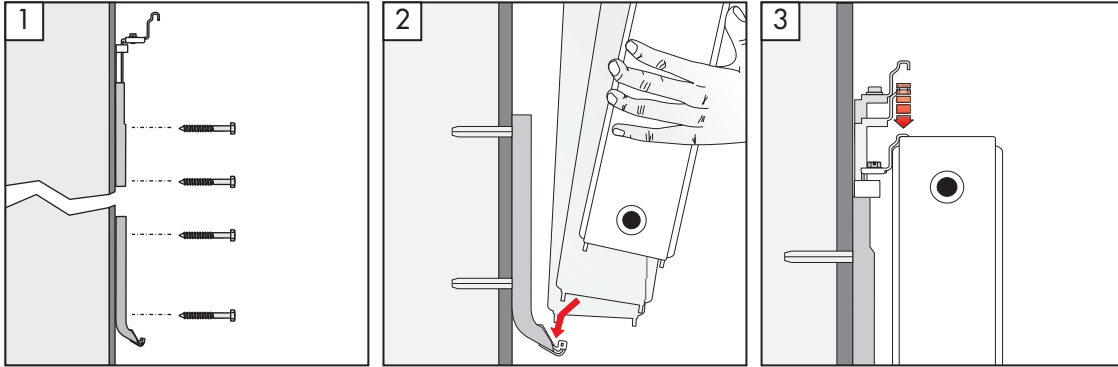


25

300



N° VA_MES 15 02 051



F7VERT



WALL BRACKETS

BRACKETS FOR STEEL PANEL RADIATORS WITH BACK SUPPORTS
WITH ANTI-LIFT AND ANTI-SLIDING SAFETY

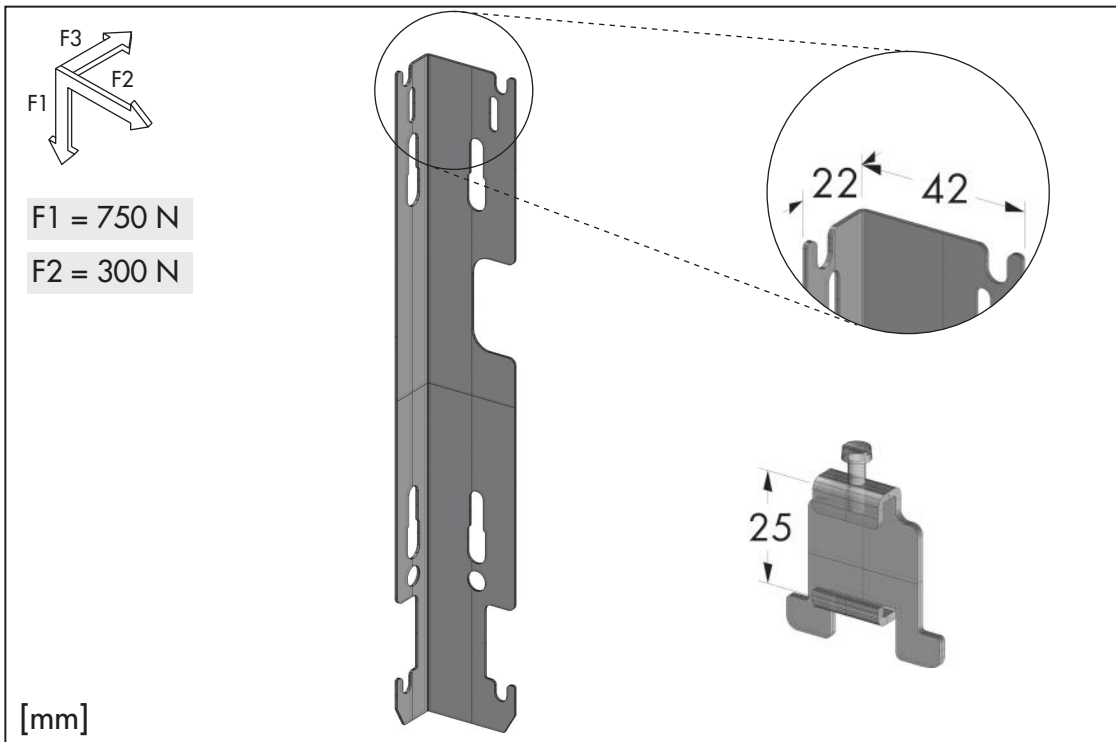
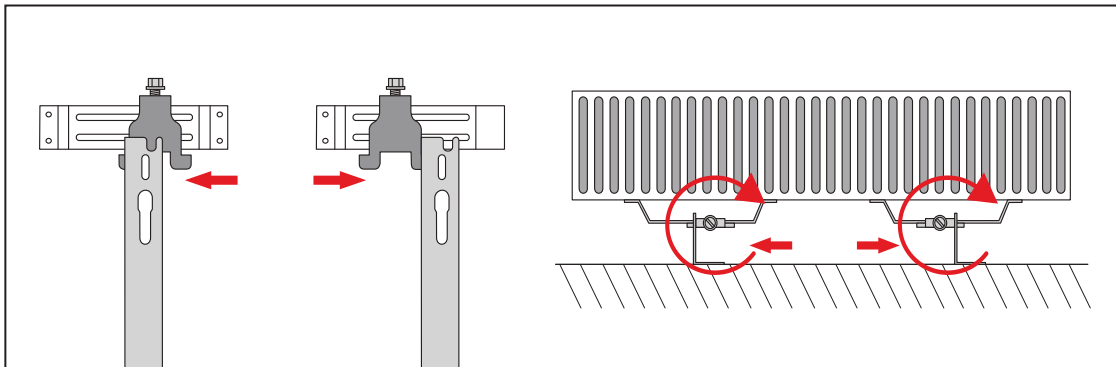
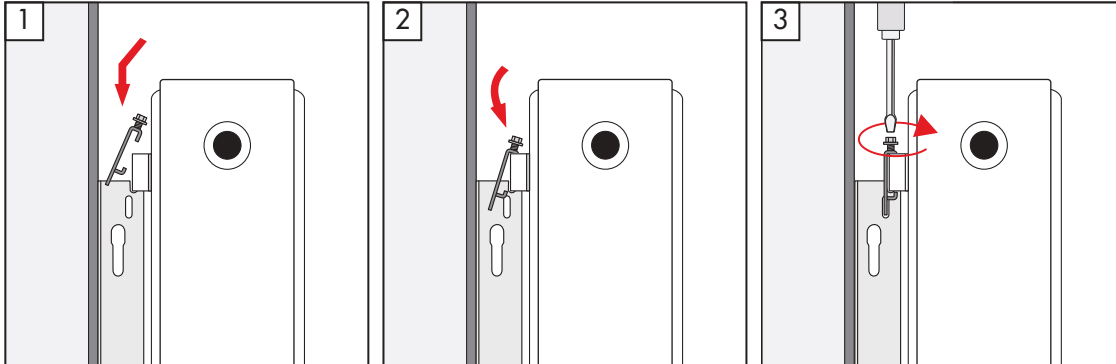
GB1 IS MANUFACTURED IN DIFFERENT HEIGHTS, ACCORDING TO THE RADIATOR TYPE AND SIZE.
AN ALTERNATIVE VERSION WITH DIFFERENT DISTANCES FROM THE WALL IS ALSO AVAILABLE.
PLEASE SEND US AN ENQUIRY FOR MORE INFORMATION.



N° VA_MES 15 02 051



SC5
SAFETY





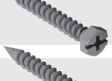

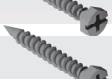





GB1



WALL BRACKETS

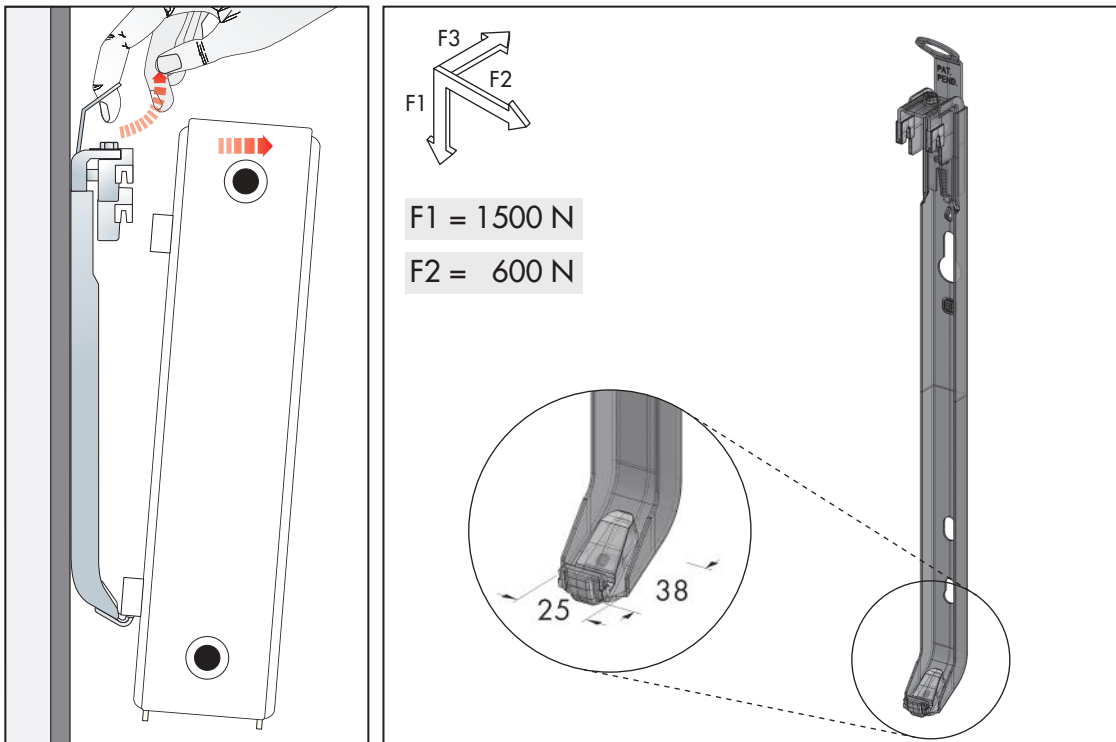
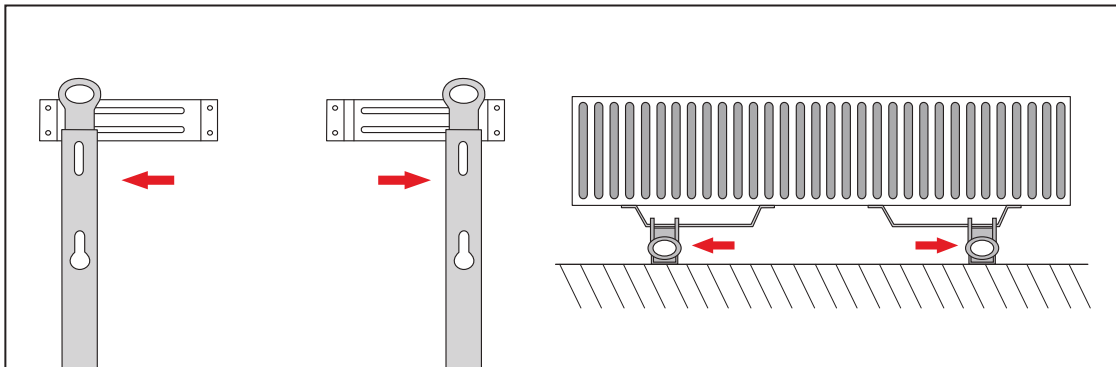
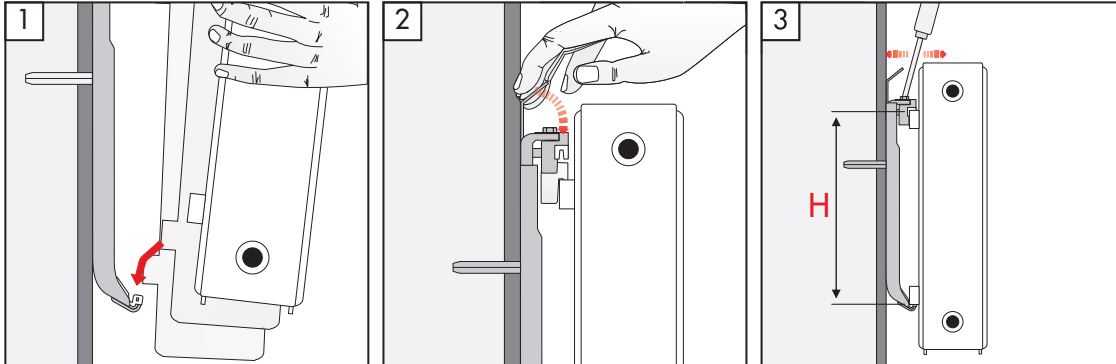
F8 SERIES QUICK-MOUNTING BRACKETS FOR PANEL RADIATORS WITH BACK SUPPORTS, WITH ANTI-LIFT MECHANISM

CODE

CODE	Description	Screws	Spacers	Box	Pallet
60688110	Set of 2 F8 for H = 110,			50	1 600
60688210	Set of 2 F8 for H = 210,			50	800
60688310	Set of 2 F8 for H = 310,			50	800
60688410	Set of 2 F8 for H = 410,			50	800
60688710	Set of 2 F8 for H = 710,			25	300



N° VA_MES 15 02 051



F8



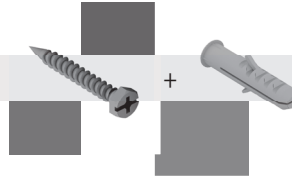
WALL BRACKETS

BRACKETS AND SPACERS FOR STEEL PANEL RADIATORS WITHOUT BACK SUPPORTS

CODE

60400301

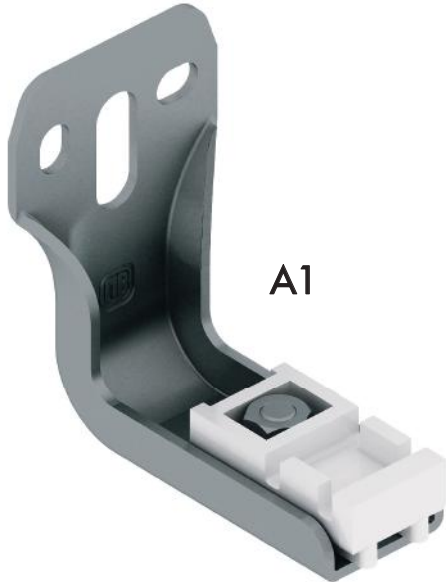
Set of 2 A1 and 2 B3 brackets, with



50



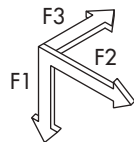
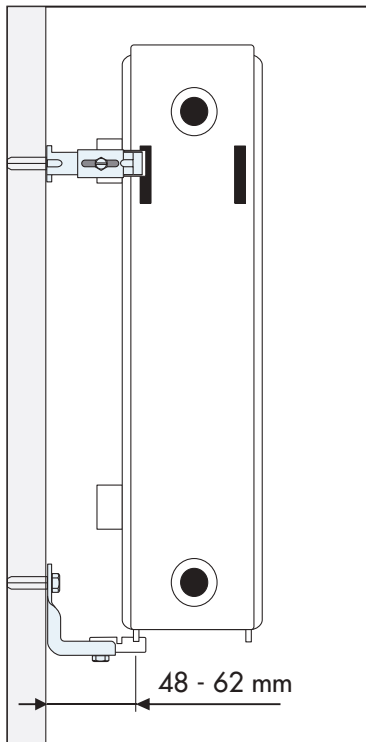
2500



A1

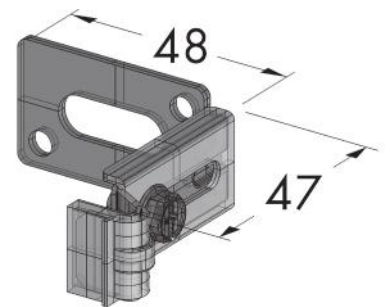
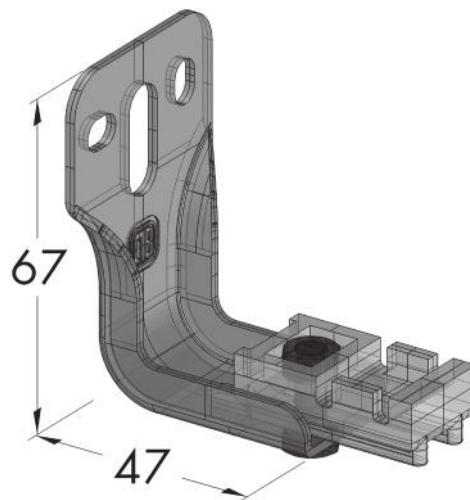


B3



F1 = 500 N

F2 = 300 N



[mm]



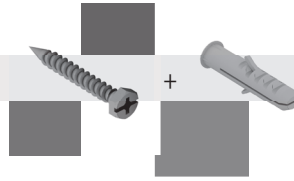
WALL BRACKETS

BRACKETS AND SPACERS FOR SINGLE STEEL PANEL RADIATORS WITHOUT BACK SUPPORTS

CODE

60400310

Set of 2 A10 and 2 B30 brackets, with



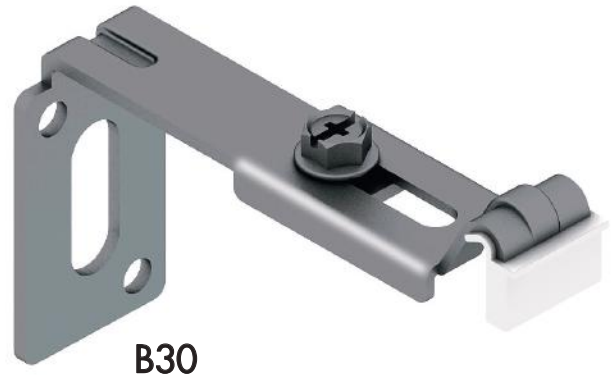
50



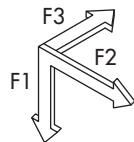
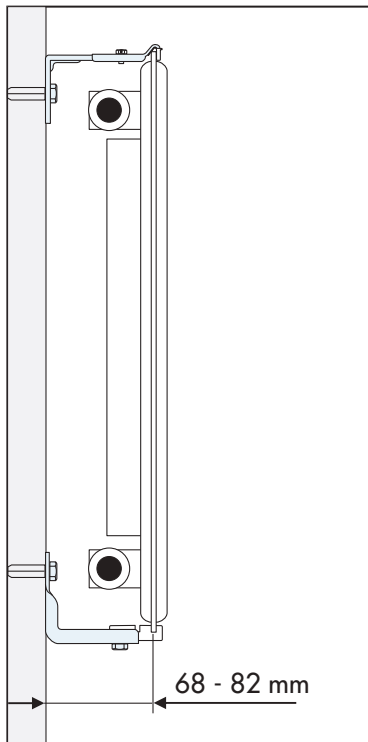
2500



A10

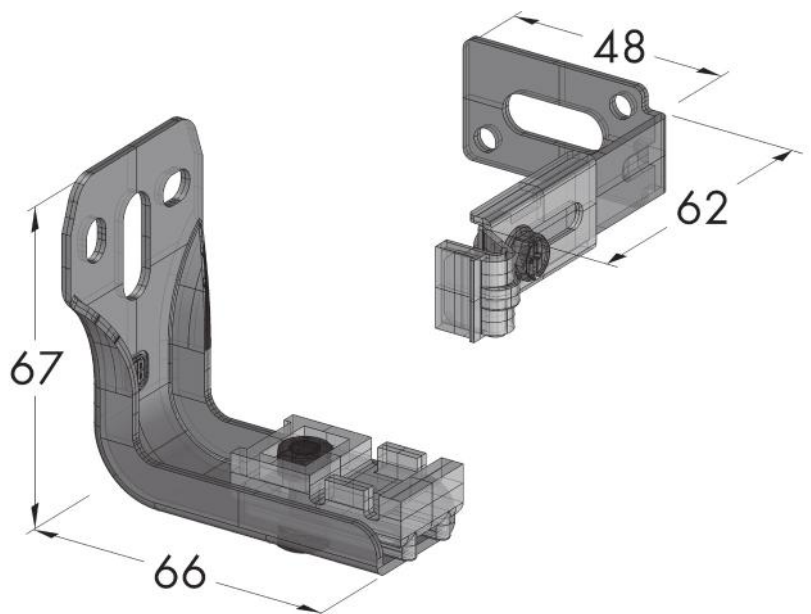


B30



F1 = 500 N

F2 = 300 N



[mm]



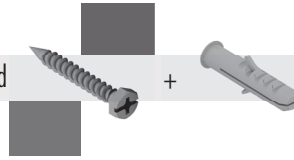
WALL BRACKETS

BRACKETS AND SPACERS FOR STEEL PANEL RADIATORS WITH BACK SUPPORTS

CODE

60400527

Set of 2 D2 brackets, with NS spacers and



50

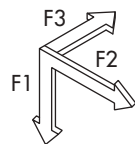
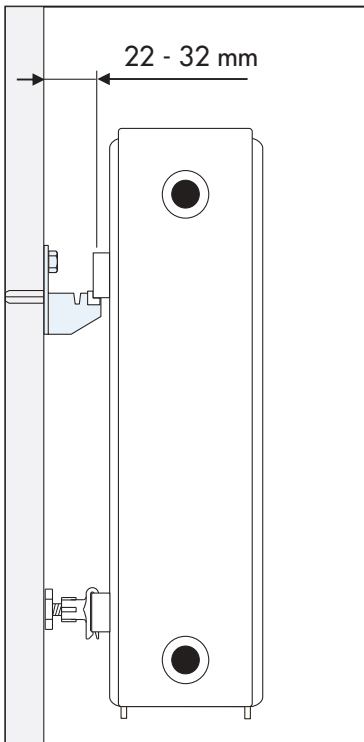


2750

D2

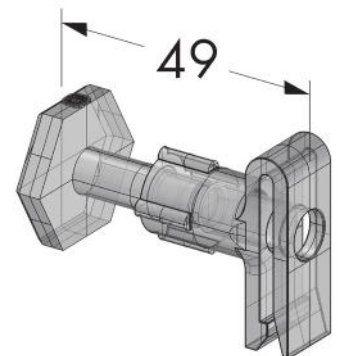
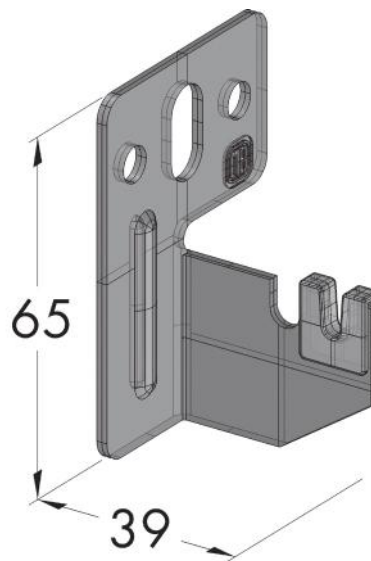


NS



F1 = 500 N

F2 = 400 N



[mm]

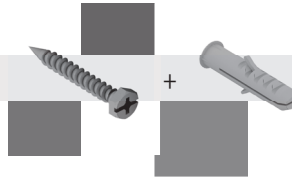


WALL BRACKETS

BRACKETS AND SPACERS FOR SINGLE STEEL PANEL RADIATORS WITH BACK SUPPORTS

CODE

60400528 Set of 2 D20 brackets, with NS spacers and

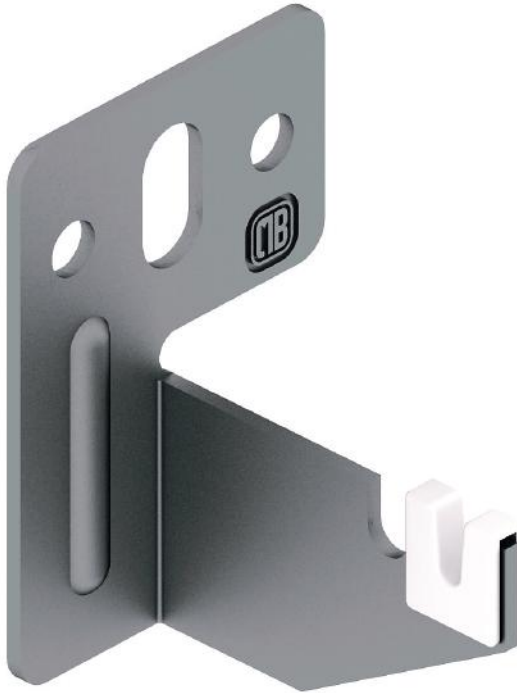


50

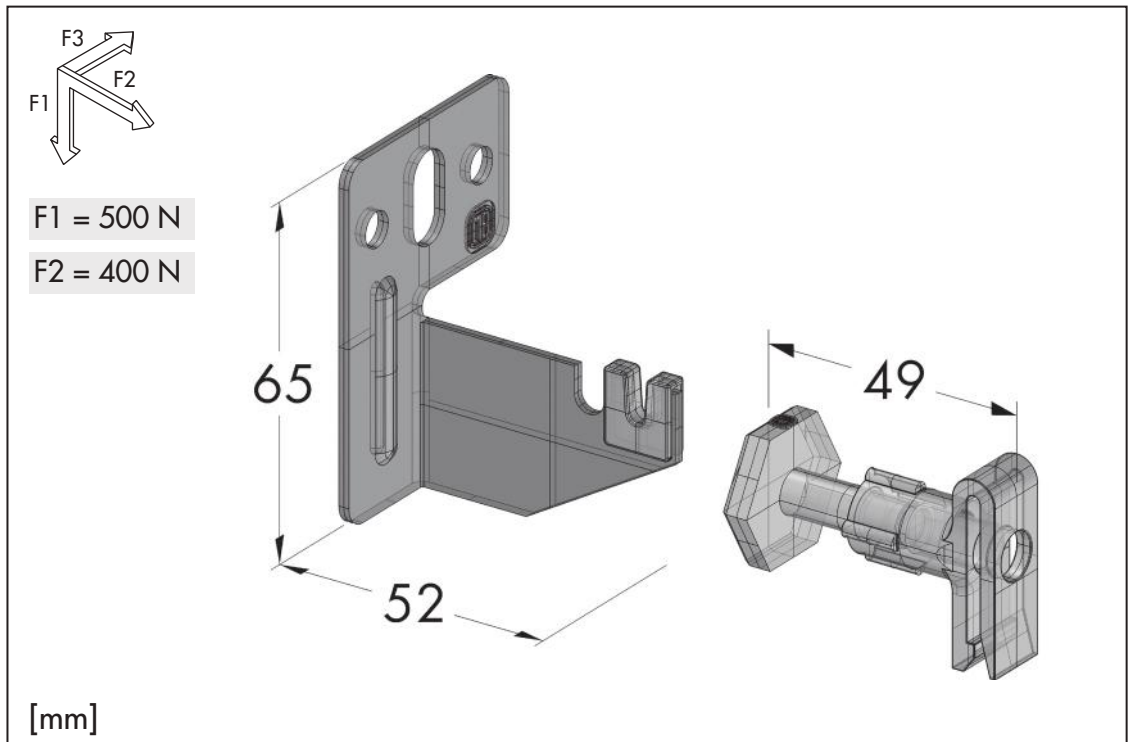
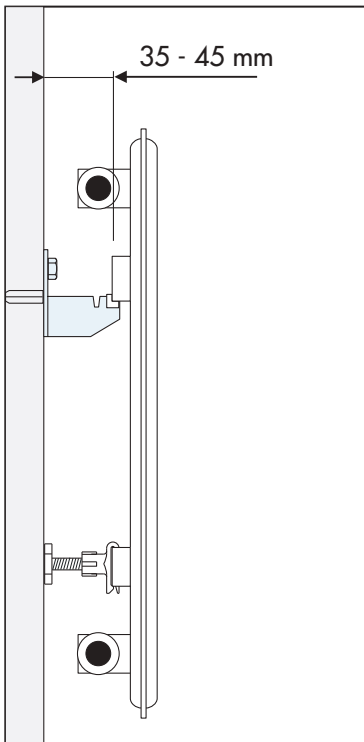


2000

D20



NS



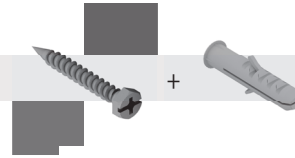
WALL BRACKETS

BRACKETS AND SPACERS FOR STEEL PANEL RADIATORS WITH BACK SUPPORTS

CODE

60400540

Set of 2 D3 brackets, with NS spacers, SC3 anti-lift safeties,



50



2750

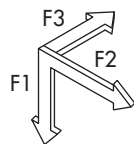
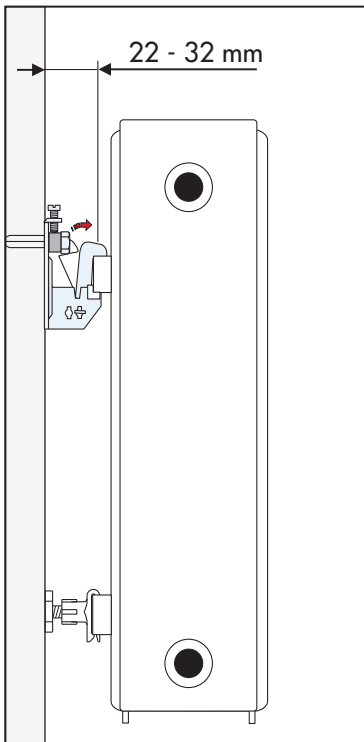
D3



SC3

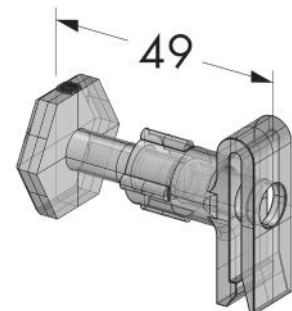
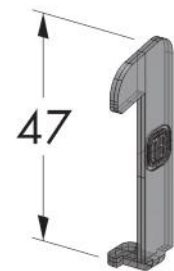
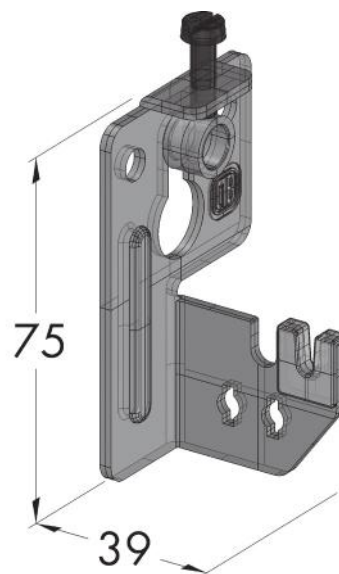


NS



F1 = 500 N

F2 = 400 N



[mm]



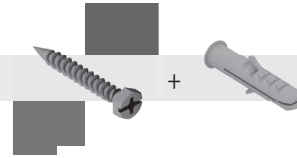
WALL BRACKETS

BRACKETS AND SPACERS FOR SINGLE STEEL PANEL RADIATORS WITH BACK SUPPORTS

CODE

60400541

Set of 2 D30 brackets, with NS spacers, SC3 anti-lift safeties,



50



2000

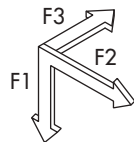
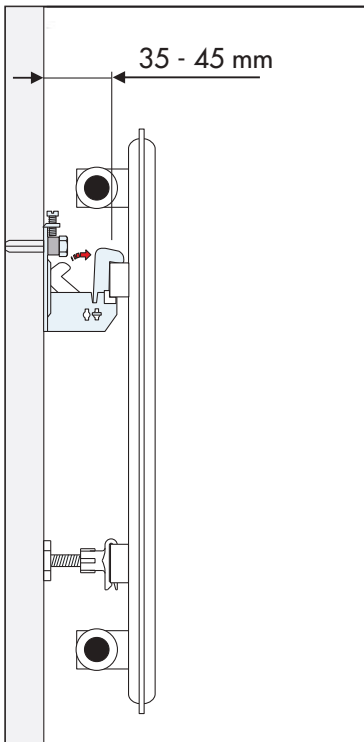
D30



SC3

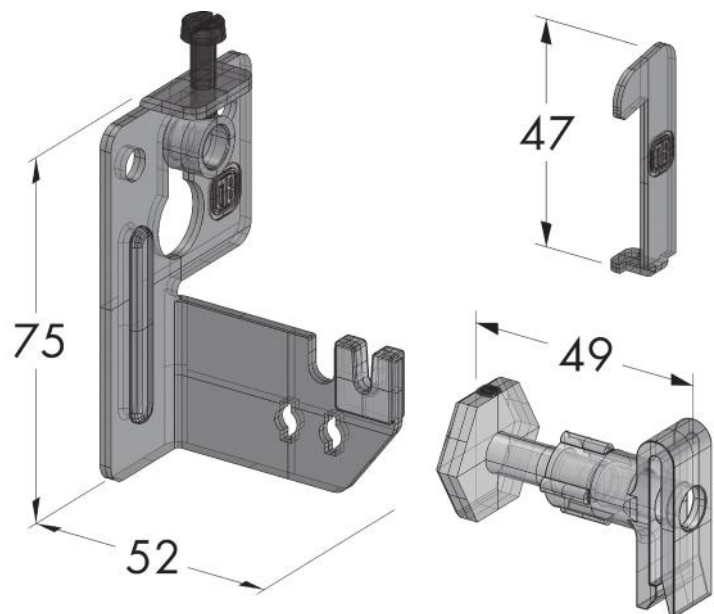


NS



F1 = 500 N

F2 = 400 N



[mm]



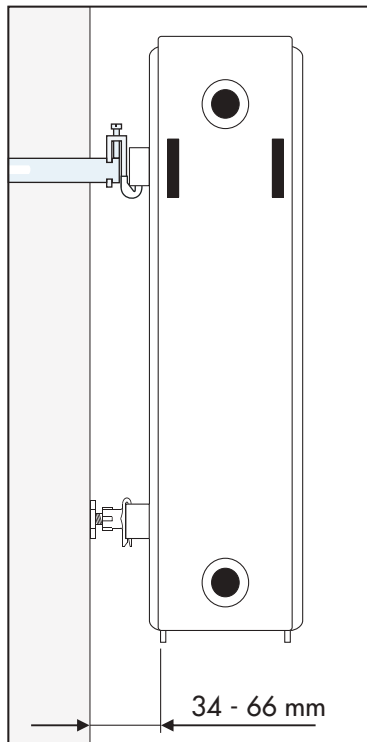
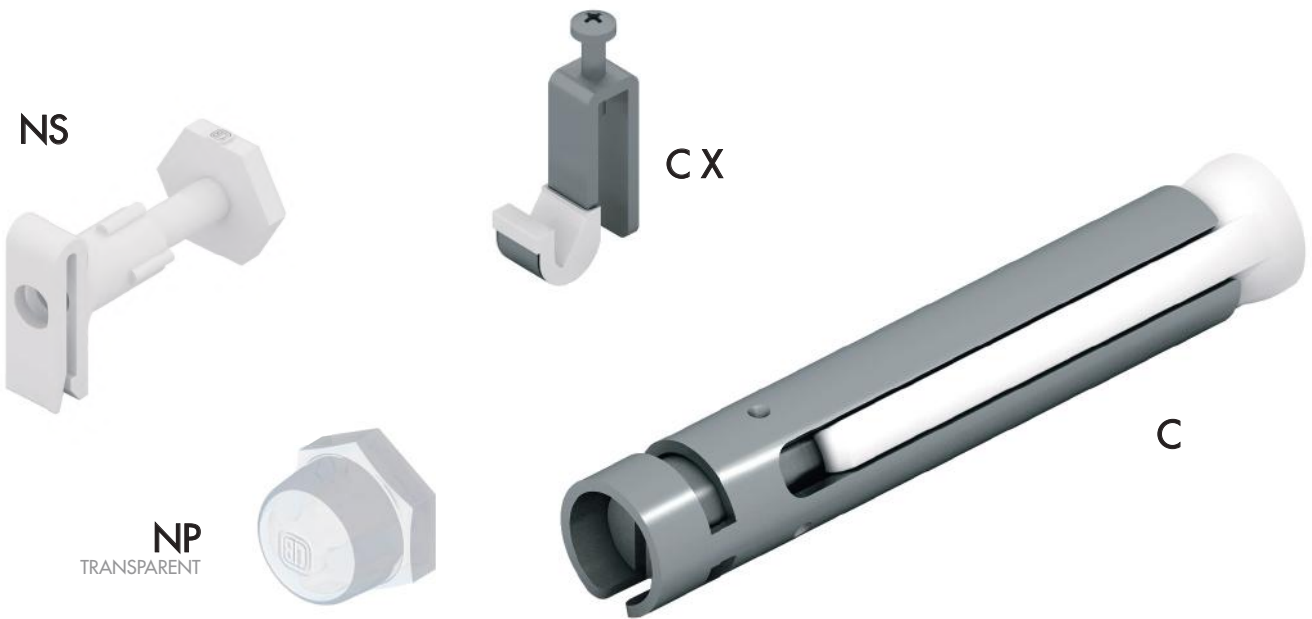
EXPANSION BRACKETS

EXPANSION BRACKETS AND SPACERS FOR STEEL PANEL RADIATORS WITH BACK SUPPORTS

CODE

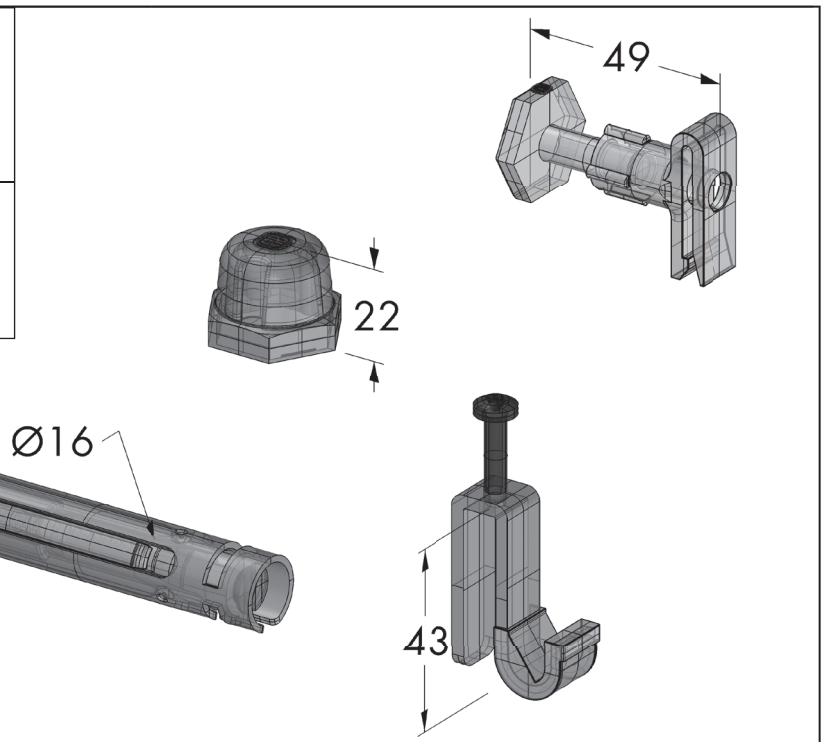


60530090	Set of 2 C 90 mm brackets, with CX holders and NS spacers	50	2500
60530120	Set of 2 C 120 mm brackets, with CX holders and NS spacers	50	2500
60530160	Set of 2 C 160 mm brackets, with CX holders and NS spacers	50	2500
60530180	Set of 2 C 180 mm brackets, with CX holders and NS spacers	50	2500
60530240	Set of 2 C 240 mm brackets, with CX holders and NS spacers	50	2000
60020239	NP extension	100	5500



X_1	X_2	F_1
90	30	900 N
120	50	700 N
160	70	550 N
180	80	400 N
240	120	300 N

[mm]



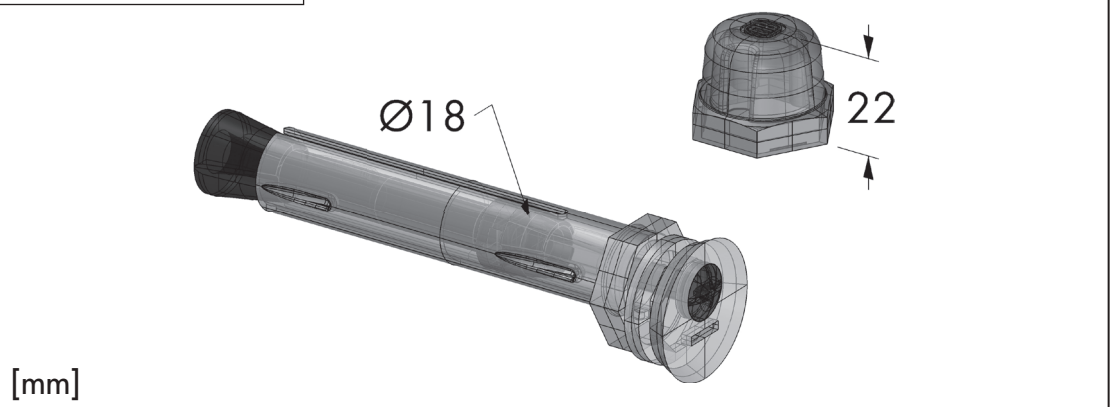
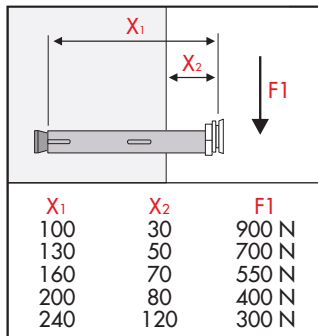
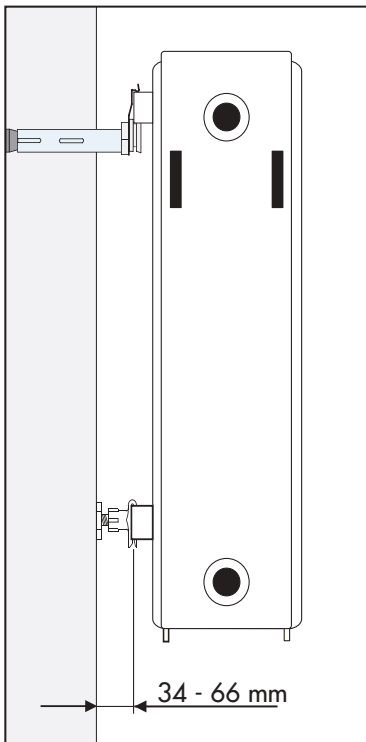
EXPANSION BRACKETS

EXPANSION BRACKETS AND SPACERS FOR STEEL PANEL RADIATORS WITH BACK SUPPORTS

CODE



60592100	Set of 2 CE 100 mm brackets, with NS spacers	50	2500
60592130	Set of 2 CE 130 mm brackets, with NS spacers	50	2500
60592160	Set of 2 CE 160 mm brackets, with NS spacers	50	2000
60592200	Set of 2 CE 200 mm brackets, with NS spacers	50	1600
60592240	Set of 2 CE 240 mm brackets, with NS spacers	50	1600
60020239	NP extension	100	5500
60550001	SC1 anti-lift safety	100	2000



EXPANSION BRACKETS

EXPANSION BRACKETS AND SPACERS FOR STEEL PANEL RADIATORS WITH BACK SUPPORTS

CODE



60594100	Set of 2 CA 100 mm brackets, with NS spacers	50	2500
60594130	Set of 2 CA 130 mm brackets, with NS spacers	50	2500
60594160	Set of 2 CA 160 mm brackets, with NS spacers	50	2000
60594200	Set of 2 CA 200 mm brackets, with NS spacers	50	1600
60594240	Set of 2 CA 240 mm brackets, with NS spacers	50	1600
60550005	AS release key	100	150
60550002	Set of 100 SC2 anti-lift safeties and 4 AS release keys	1	2000

NS



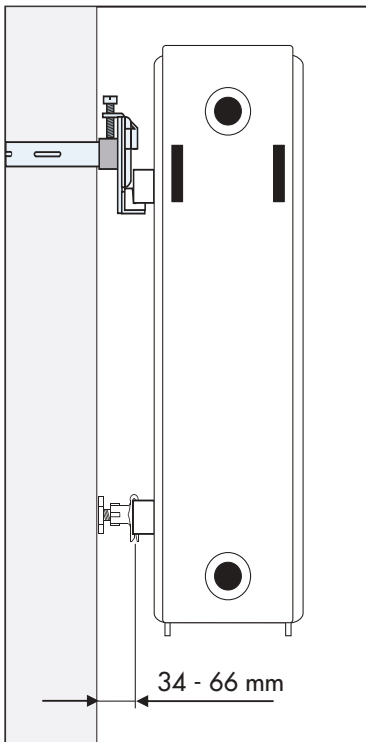
AS



SC2
SAFETY

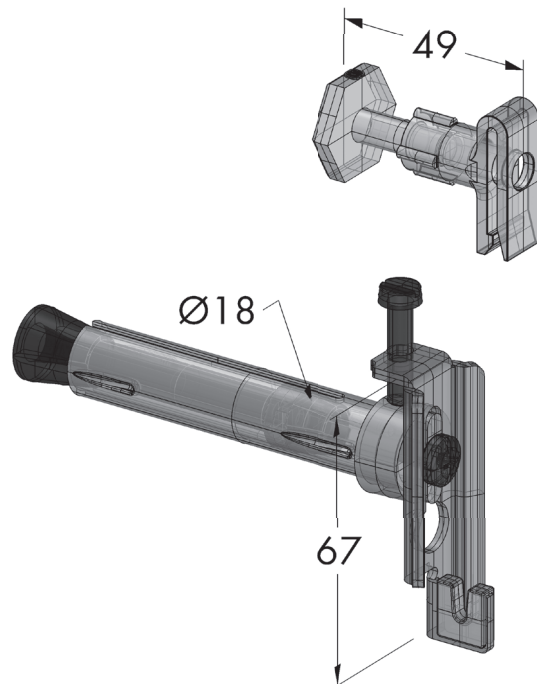


CA



X_1	X_2	F_1
100	30	900 N
130	50	700 N
160	70	550 N
200	80	400 N
240	120	300 N

[mm]



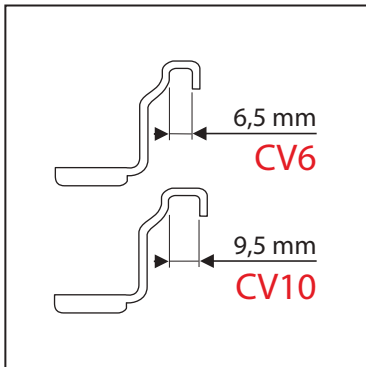
EXPANSION BRACKETS

EXPANSION BRACKETS AND SPACERS FOR STEEL PANEL RADIATORS WITHOUT BACK SUPPORTS

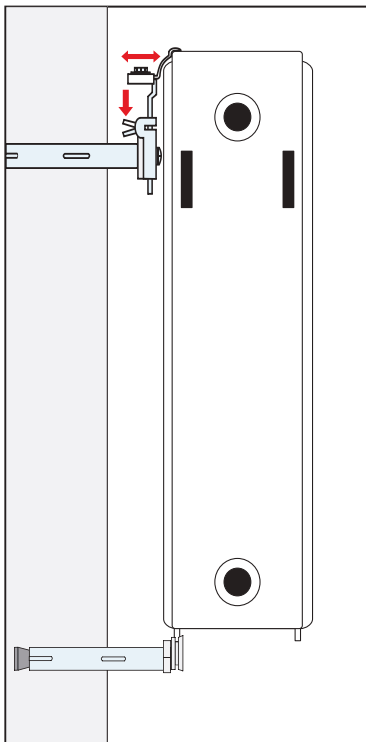
CODE



60586100	Set of 2 CE 100 mm brackets, with CV6 100 mm holders	50	800
60586130	Set of 2 CE 130 mm brackets, with CV6 130 mm holders	50	800
60586160	Set of 2 CE 160 mm brackets, with CV6 160 mm holders	50	800
60586200	Set of 2 CE 200 mm brackets, with CV6 200 mm holders	50	800
60586240	Set of 2 CE 240 mm brackets, with CV6 240 mm holders	50	800
60587100	Set of 2 CE 100 mm brackets, with CV10 100 mm holders	50	800
60587130	Set of 2 CE 130 mm brackets, with CV10 130 mm holders	50	800
60587160	Set of 2 CE 160 mm brackets, with CV10 160 mm holders	50	800
60587200	Set of 2 CE 200 mm brackets, with CV10 200 mm holders	50	800
60587240	Set of 2 CE 240 mm brackets, with CV10 240 mm holders	50	800

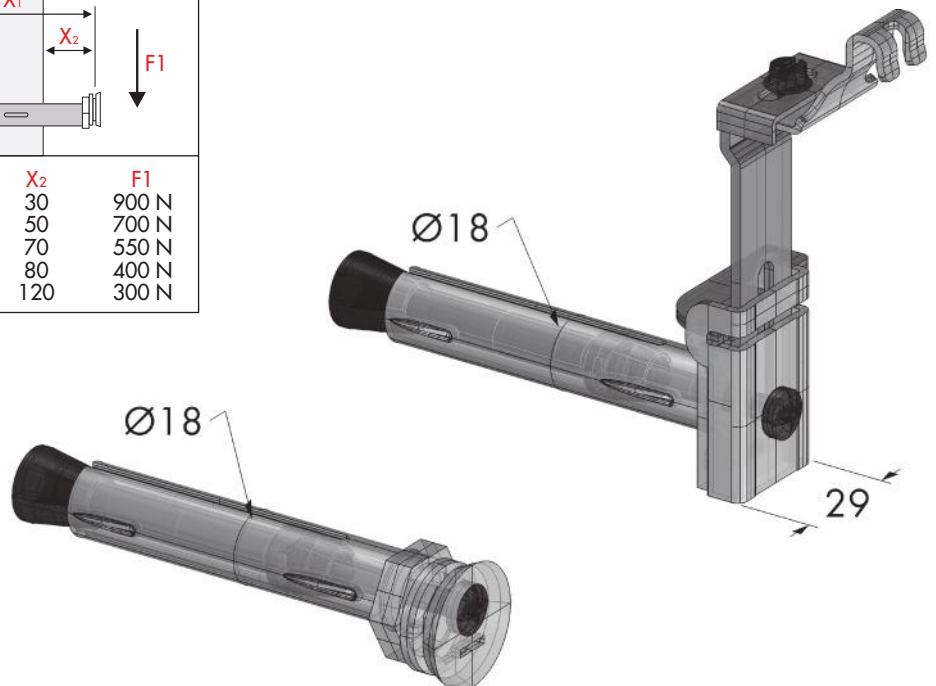


N° VA_MES 15 02 051



X ₁	X ₂	F ₁
90	30	900 N
120	50	700 N
160	70	550 N
180	80	400 N
240	120	300 N

[mm]



ACCESSORIES

MOUNTING TEMPLATE COMPLETE WITH BY-PASS FOR INSTALLATION PRE-TESTING

CODE



60910001 DB1 Female connection 1/2"

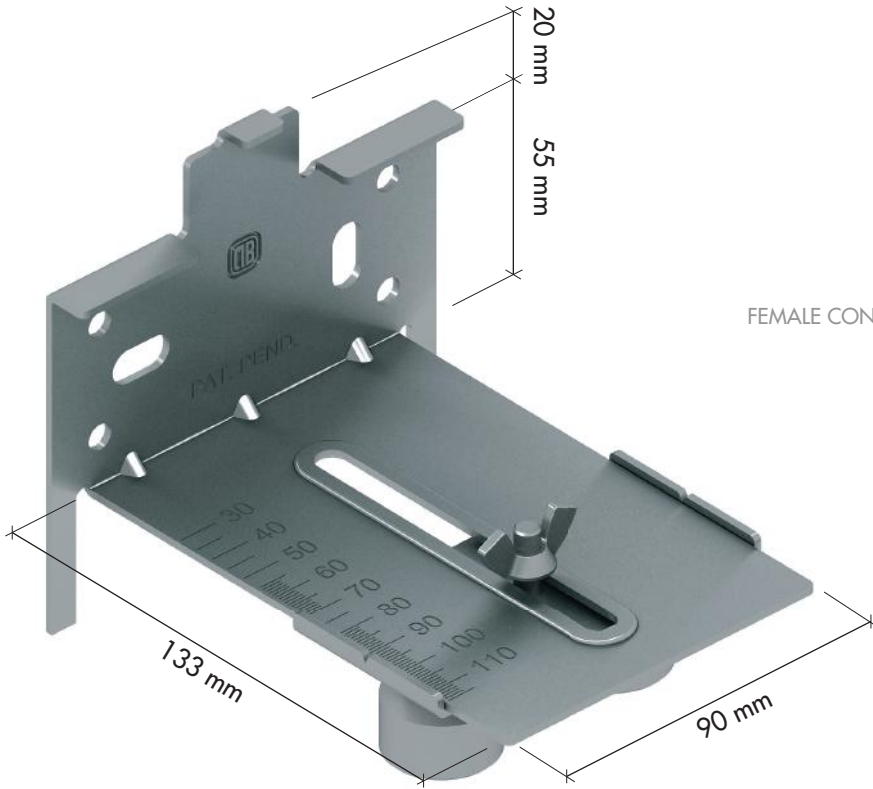
6

696

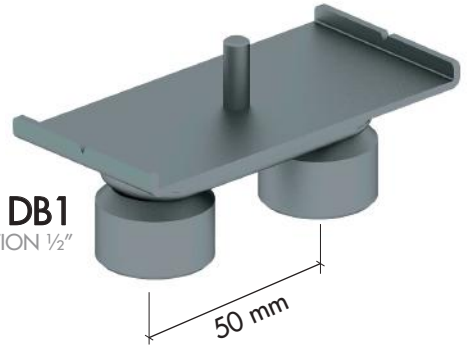
60910002 DB2 Male connection 3/4"

6

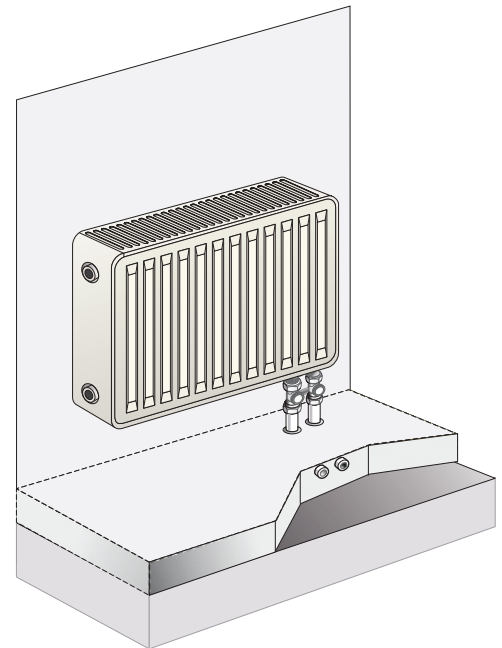
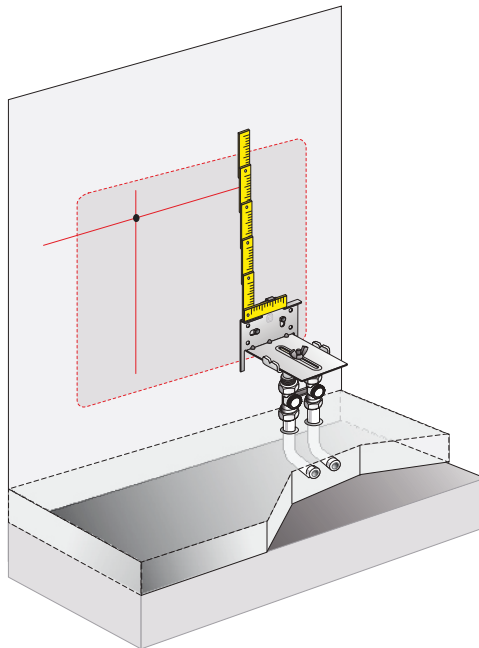
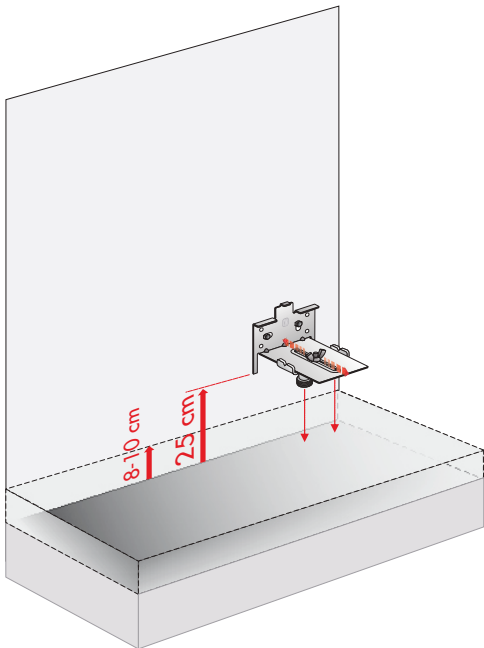
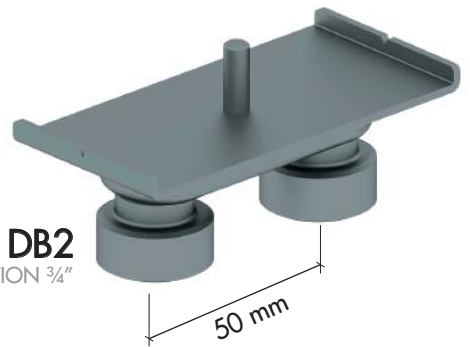
696



DB1
FEMALE CONNECTION 1/2"



DB2
MALE CONNECTION 3/4"



ACCESSORIES

WINDOW LEDGE HOLDER

CODE

60751010

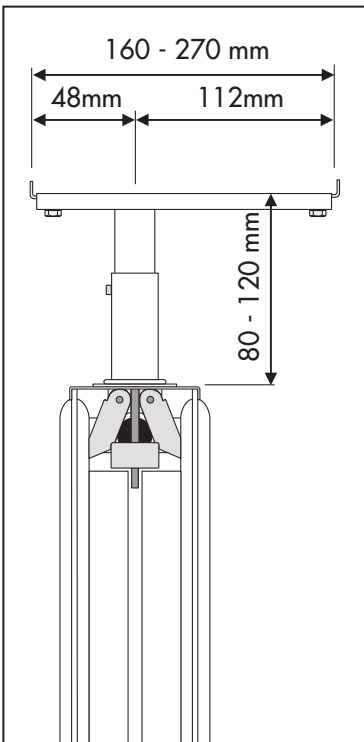
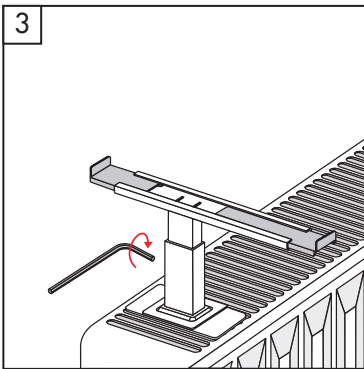
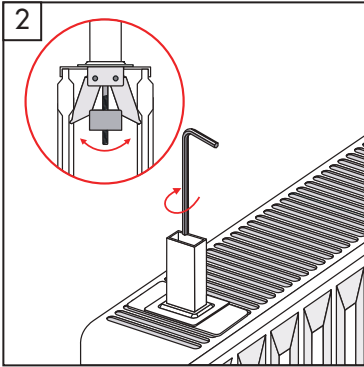
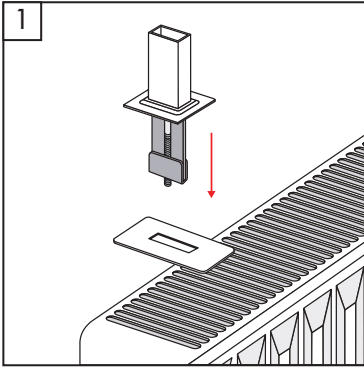
Set of 2 QX3



1



500



NOTE: It is possible to extend the maximum depth of the bench to 310 mm by using two extra pieces, available on request.



Handwriting practice lines consisting of 25 horizontal dashed lines.



FIX IT

Handwriting practice lines consisting of 25 horizontal dashed lines.



FIX IT

COSTUMER SATISFACTION IS A PRIORITY OBJECTIVE FOR US. SHOULD YOU EVER HAVE A COMPLAINT ABOUT OUR SERVICE, PLEASE ADDRESS A LETTER TO:

THE MANAGING DIRECTOR
MB SRL
VIA MADONNA NERA, 2/B
31030 BORSO DEL GRAPPA (TV)
ITALY



MB SRL - VIA MADONNA NERA 2/B
I - 31030 BORSO DEL GRAPPA (TV)

marketing@mb-fix.it

Ph. +39 0423 913800
Fx. +39 0423 542188

