

FASTENING SYSTEMS FOR
COLUMN RADIATORS



THE PROFESSIONAL RANGE

WE THINK THAT EVERY PROBLEM CAN BE SOLVED WITH A TOUCH OF CREATIVITY. WE DO THIS BY OFFERING PRACTICAL, FUNCTIONAL AND CUSTOMISED SOLUTIONS, DESIGNING FASTENING SYSTEMS WITH THE AIM OF MAKING THE WORLD A SAFER PLACE.



FIX IT



TECHNICAL DATA SUBJECT TO MODIFICATIONS
THE PRICE LIST IS NOT AVAILABLE AS HARDCOPY

TO GET THE PRICE LIST IN ELECTRONIC FORMAT, PLEASE SEND AN E-MAIL TO marketing@mb-fix.it WITH YOUR FULL DATA

HAVE IT YOUR WAY

OUR COLOUR PALETTE FOR PLASTIC COVERS

OFF THE CHART. Our mounting systems are finished as standard with a high-gloss white epoxy powder coating. If you want to, we are also able to provide them in a set of special colours, to better suit the environment where they are placed in.

MADE
in Italy

solutions
FOR YOU

COLOUR PALETTE FOR PLASTIC COVERS



RAL 7004



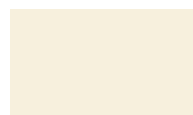
RAL 7016



RAL 7021



RAL 7026



RAL 9001



RAL 9022

For most bracket types, the plastic covers in the special colours of this palette will be readily available, to get a perfect aesthetic result also when time is short.

MB AND VDI 6036

YOUR SPECIALIST FOR RADIATORS MOUNTING SYSTEMS



Safety is the most important concern when mounting radiators on the wall or on the floor. At MB we take this very seriously, using our knowledge and experience to develop and produce brackets that are 100% safe when mounted correctly. We take care of ensuring that no problem arises also when radiators are used in an anomalous way. **Our special team tested the brackets even in very peculiar situations:** just have a look at our video <http://vimeo.com/mbfix/vdi6036> to watch more and have fun! **We do not encourage you to do the same, but if you do, please make sure that your wall is robust enough;** one must never forget to take into consideration the wall characteristics when choosing screws, plugs and number of brackets to mount his/her radiator.

MB developed several dedicated solutions, both for wall and floor mounting, **complying to class 3 of VDI 6036**, i.e. to the highest safety level, apart from individually defined prescriptions in special environments. For each bracket, a **comprehensive table specifying how many brackets** have to be used for each radiator size is available for **download from www.mb-fix.it**.

MB AND VDI 6036

YOUR SPECIALIST FOR RADIATORS MOUNTING SYSTEMS



The recent **VDI 6036** directive is changing the way installers, engineers and architects think of safety in mounting radiators. Depending on the application and placement of the radiator, limits are set to forces and displacements. In public places like hospitals, schools, banks, stadiums, etc. a higher standard is required. **TÜV SÜD** verified the conformity to the directive of a comprehensive list of **MB brackets for all radiator types and applications**, for extra safety and confidence for our customers.



N° VA_MES 15 02 051

READY-FOR-USE FLOOR STANDING BRACKETS

PGT SERIES FLOOR BRACKETS

CODE



60791561	Set of 2 PGT-1 60 floor brackets in white, including QKF and QKG covers	1	150
60791560	Set of 2 PGT60 floor brackets in white, including QKP and QKG covers	1	300



N° VA_MES 15 02 051

QKG



PGT-1 60
FOR RAW FLOOR



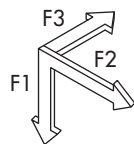
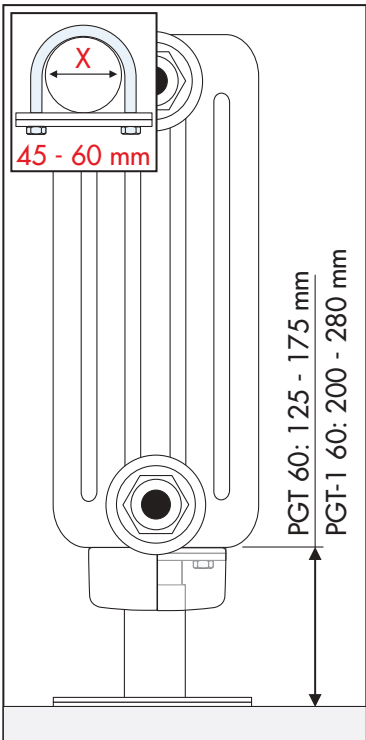
QKF



PGT 60
FOR FINISHED FLOOR



QKP

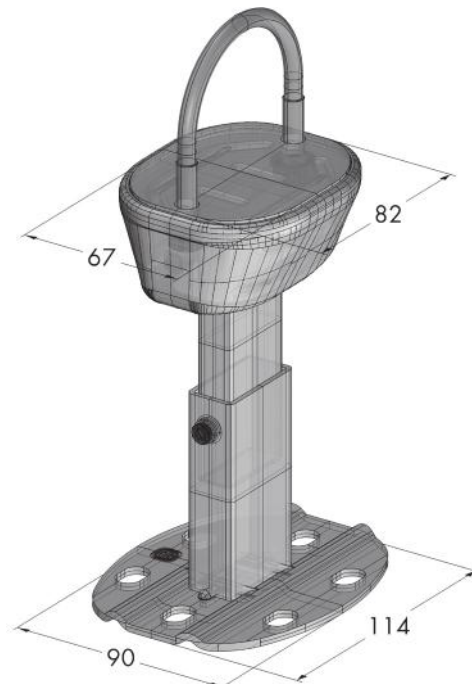


F1 = 2000 N

F2 = 700 N

F3 = 400 N

[mm]



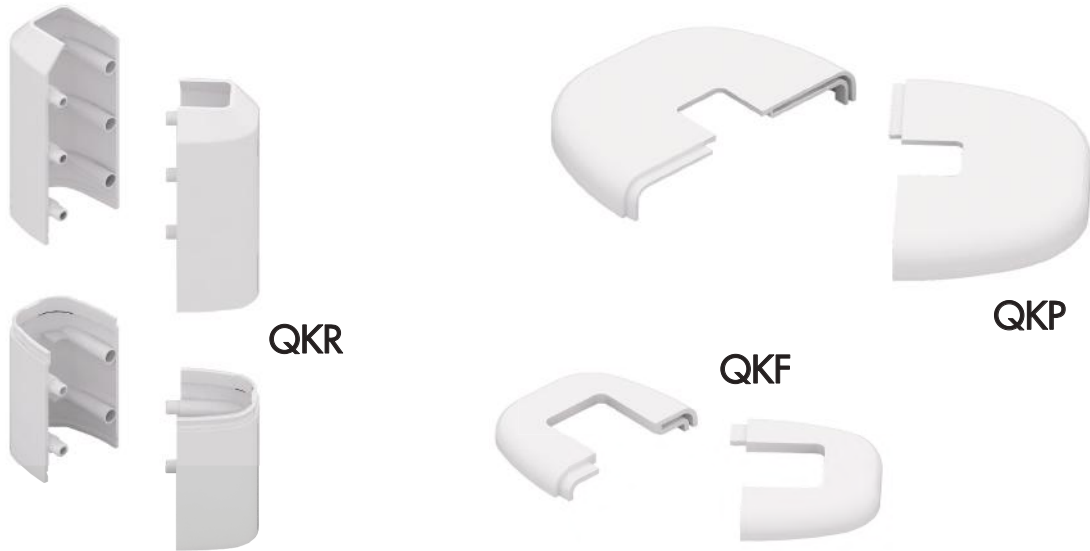
PLASTIC COVERS

FOR PGT SERIES FLOOR BRACKETS

CODE



60705022	QKF cover, in white (spare part)	20	4000
60705020	QKP cover, in white (spare part)	20	2500
60705420	Set of 2 QKR covers, in white	25	2000



HAVE IT YOUR WAY



RAL 7004



RAL 7016



RAL 7021



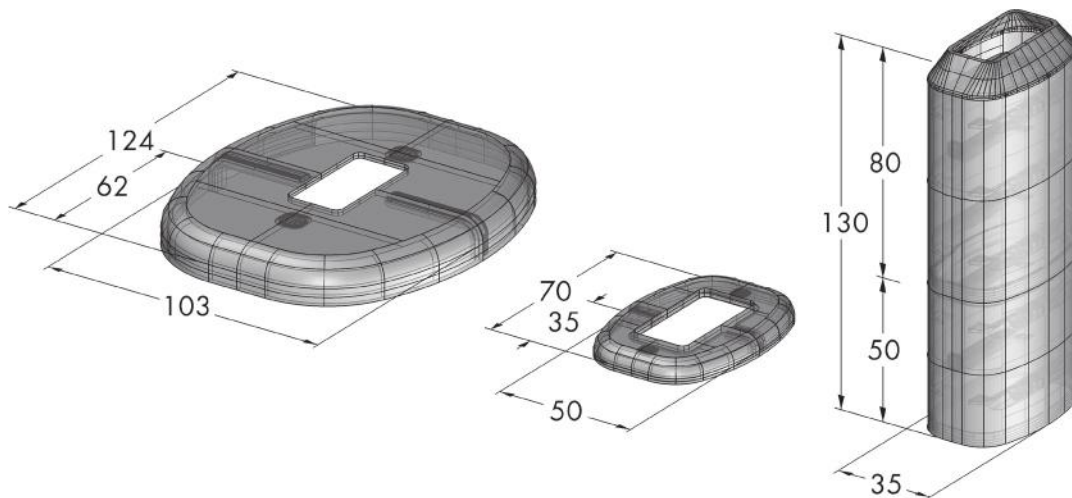
RAL 7026



RAL 9001



RAL 9022

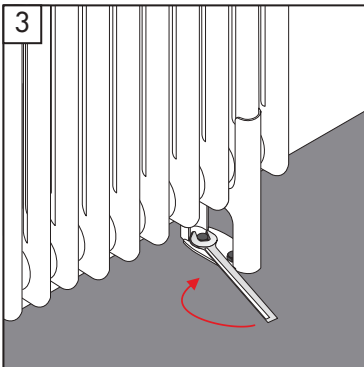
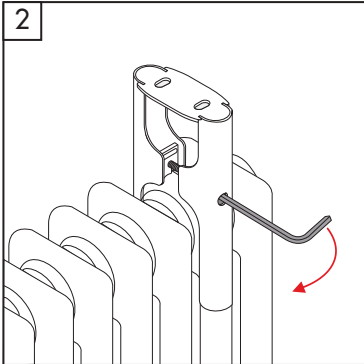
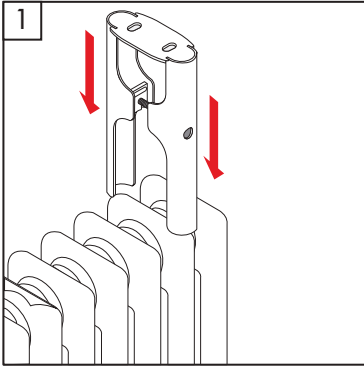


[mm]

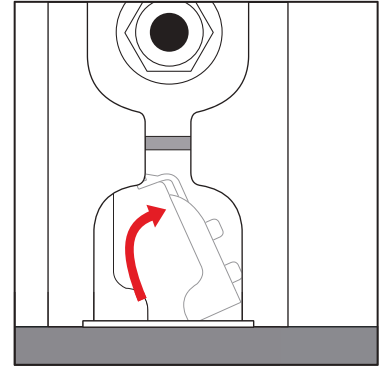


READY-FOR-USE FLOOR STANDING BRACKETS

PGE SERIES, 2 TO 6 COLUMNS



N° VA_MES 15 02 051



PGE



QKE

HAVE IT YOUR WAY



RAL 7004



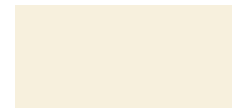
RAL 7016



RAL 7021



RAL 7026



RAL 9001



RAL 9022



READY-FOR-USE FLOOR STANDING BRACKETS

PGE SERIES, 2 TO 6 COLUMNS

CODE



FOR 2 COLUMNS (1" CONNECTIONS)

60770062	Set of 2 PGE floor brackets X=62 in white	1	250
----------	---	---	-----

FOR 3 COLUMNS

60770101	Set of 2 PGE floor brackets X=101 in white, including QKE covers	1	250
----------	--	---	-----

60770107	Set of 2 PGE floor brackets X=107 in white, including QKE covers	1	250
----------	--	---	-----

FOR 4 COLUMNS

60770139	Set of 2 PGE floor brackets X=139 in white, including QKE covers	1	160
----------	--	---	-----

60770148	Set of 2 PGE floor brackets X=148 in white, including QKE covers	1	160
----------	--	---	-----

FOR 5 COLUMNS

60770177	Set of 2 PGE floor brackets X=177 in white, including QKE covers	1	160
----------	--	---	-----

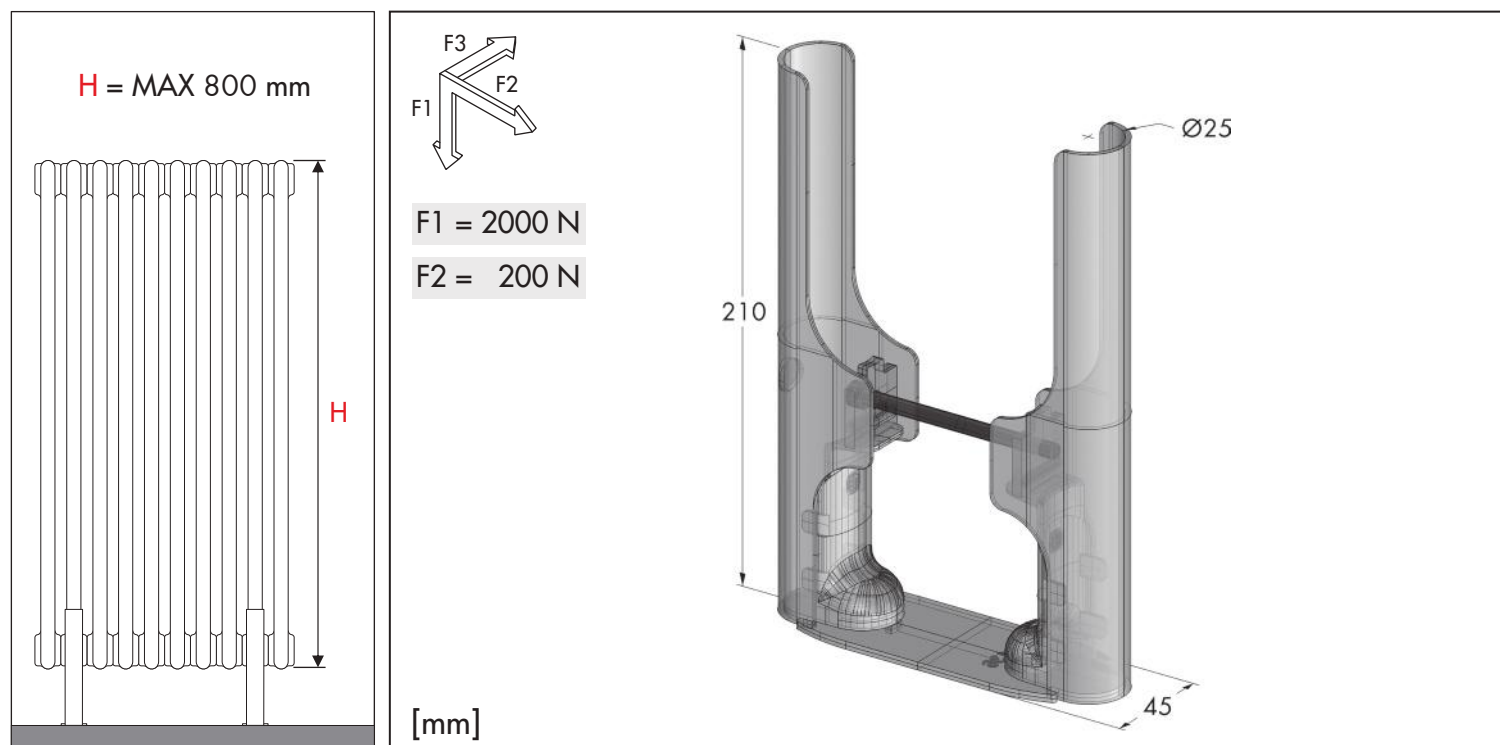
60770189	Set of 2 PGE floor brackets X=189 in white, including QKE covers	1	160
----------	--	---	-----

FOR 6 COLUMNS

60770215	Set of 2 PGE floor brackets X=215 in white, including QKE covers	1	100
----------	--	---	-----

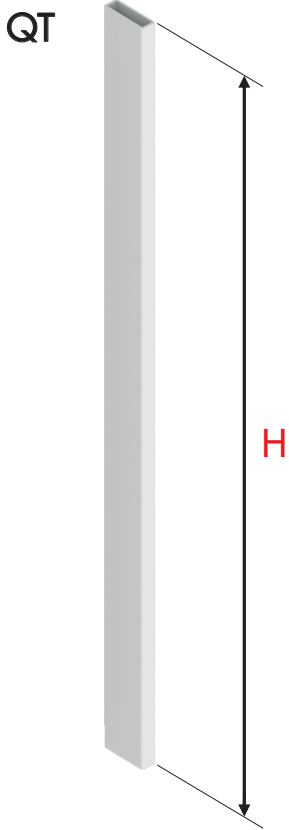
60770230	Set of 2 PGE floor brackets X=230 in white, including QKE covers	1	100
----------	--	---	-----

ATTENTION! Choose the right PGE size for 3 to 6 columns according to the depth of the radiator. The narrow version fits on Zehnder, Irsap, Bemm, Rondra products. The deep one fits on Arbonia, De'Longhi, Cordivari, Ercos, Zenith products. Please contact us for any query.





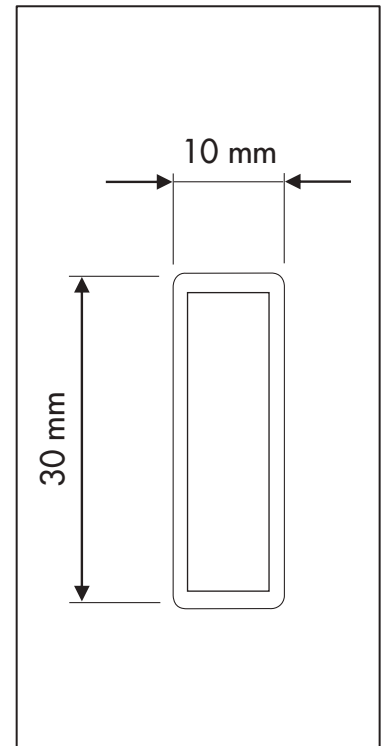
MODULAR FLOOR STANDING BRACKETS

QT-QB SERIES AND ACCESSORIES




CODE

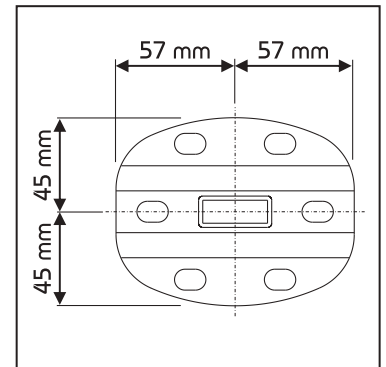
CODE			
60705046	QT tube H = 460 mm, in white	1	170
60705056	QT tube H = 560 mm, in white	1	250
60705066	QT tube H = 660 mm, in white	1	250
60705076	QT tube H = 760 mm, in white	1	250
60705086	QT tube H = 860 mm, in white	1	250
60705096	QT tube H = 960 mm, in white	1	250
60705106	QT tube H = 1060 mm, in white	1	250
60705116	QT tube H = 1160 mm, in white	1	250





CODE

CODE			
60705000	QB base, in white	50	2500
60705012	QK cover, in white	20	4000

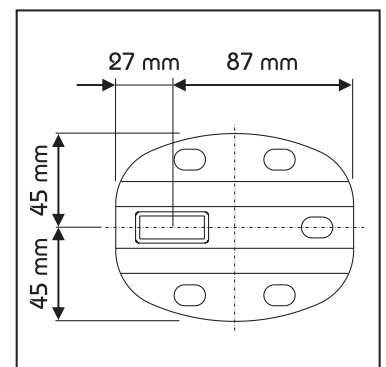
HAVE IT YOUR WAY



CODE

CODE			
60705005	QBX base, in white	50	2500
60705013	QKX cover, in white	20	4000

HAVE IT YOUR WAY



MODULAR FLOOR STANDING BRACKETS

QT-QB SERIES AND ACCESSORIES

CODE

60705400

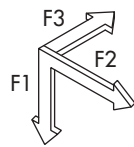
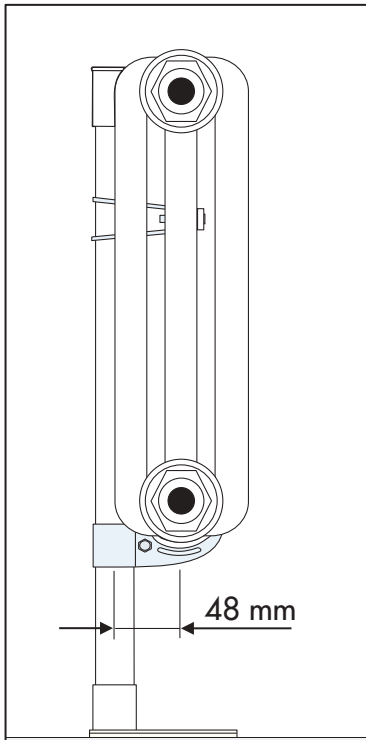
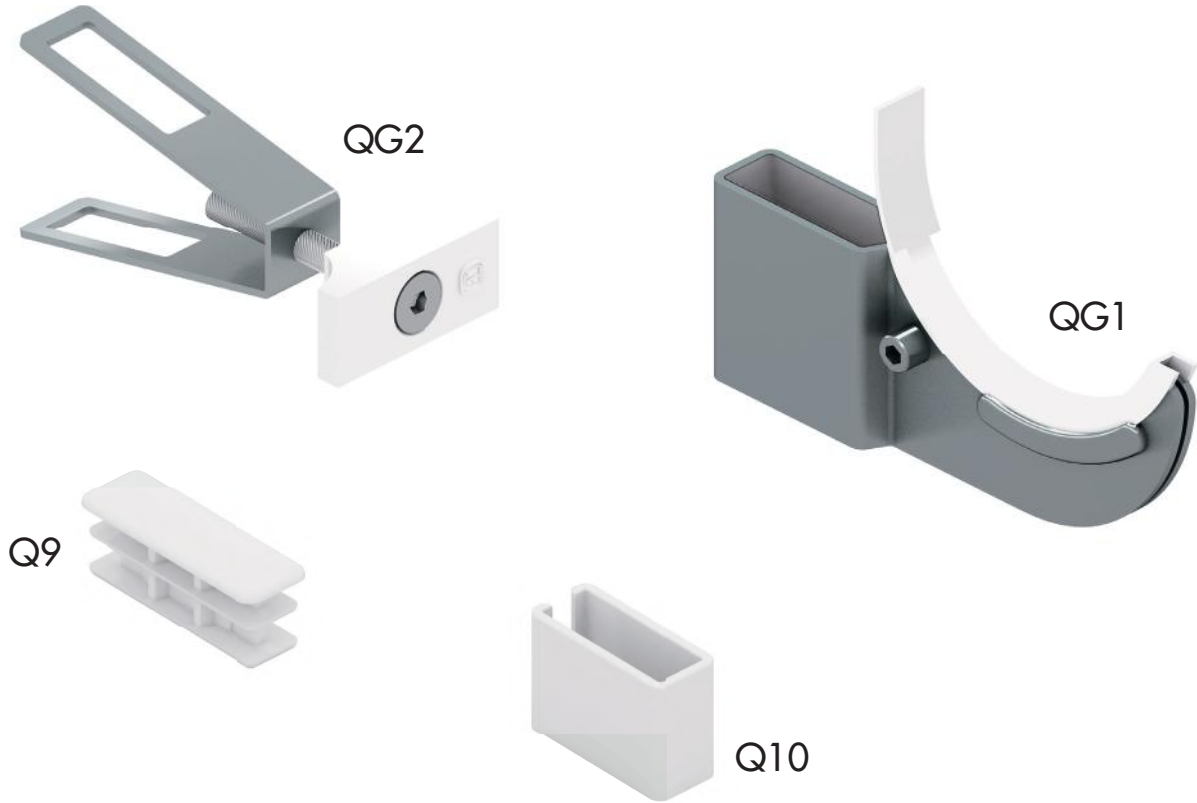
QGN set, including QG1, QG2, Q9 and Q10



50



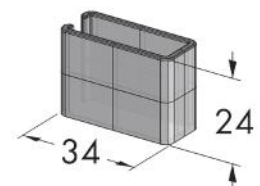
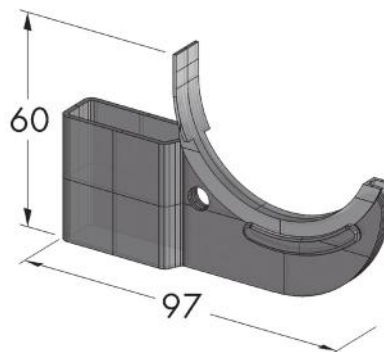
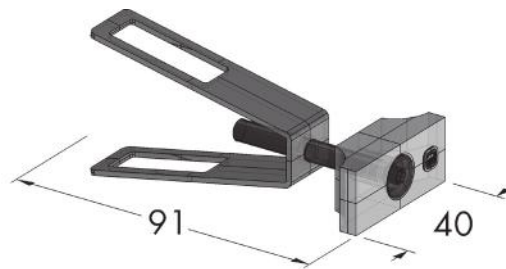
2750



F1 = 780 N

F2 = 400 N

[mm]



CAST IRON FOOT

PGG SERIES

CODE

60770010

PGG foot, in white, individually protected in bubble wrap plastic



50

1000



PGG



CODE

60400600T

Set of 2 BG3 wall holders with transparent clamp

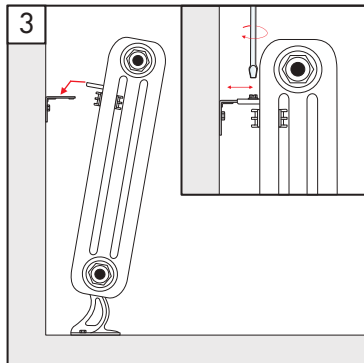
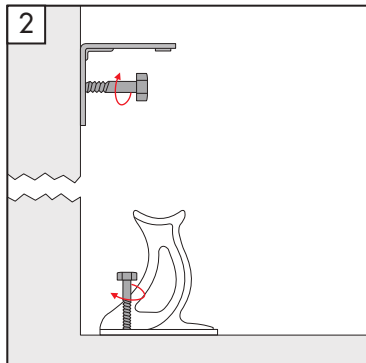
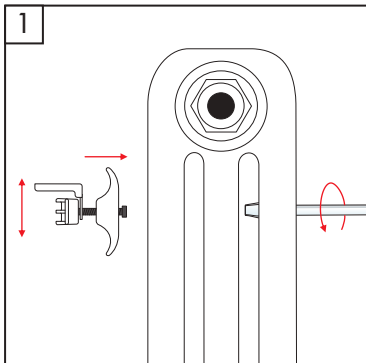
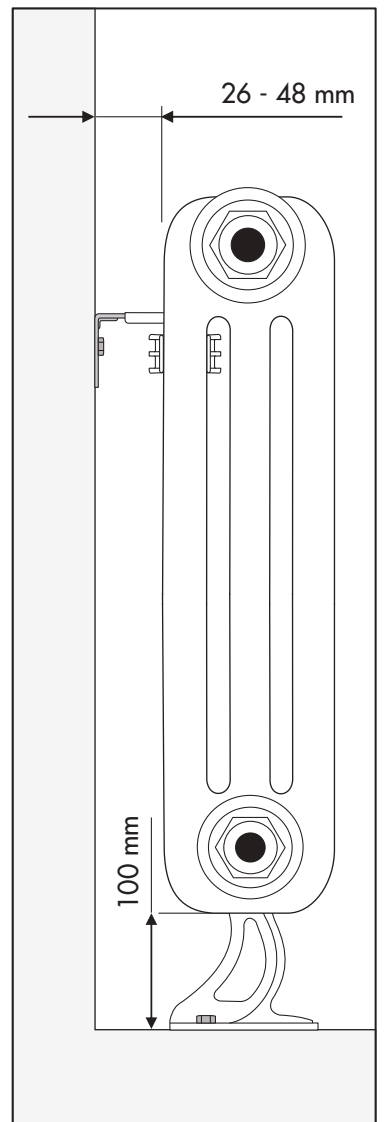


50

2500



BG3
TRANSPARENT



WALL BRACKETS

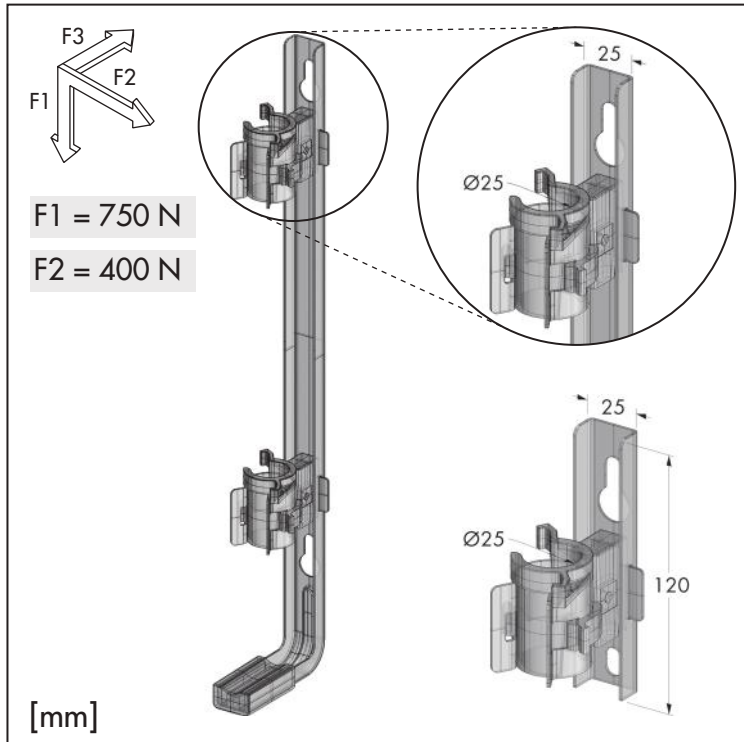
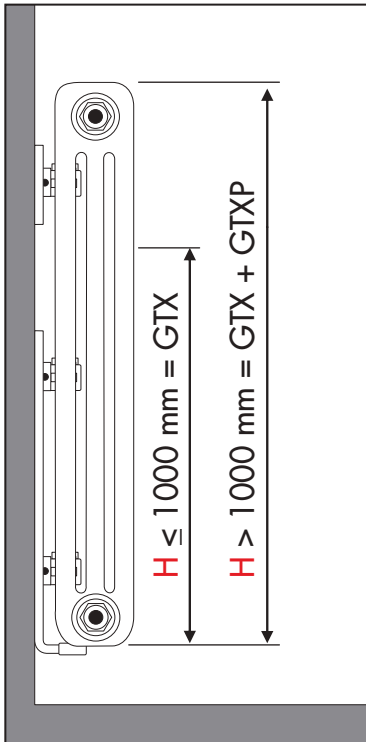
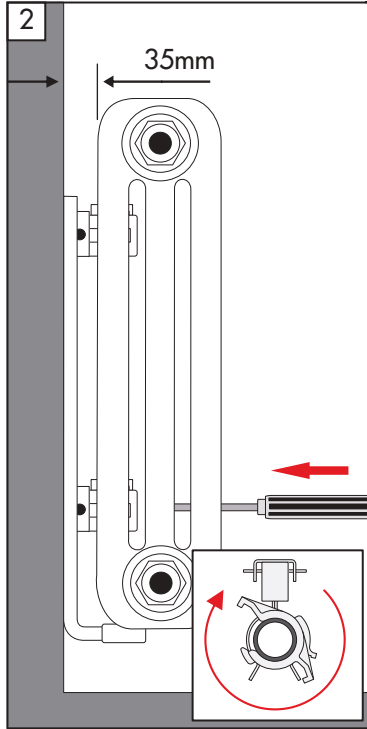
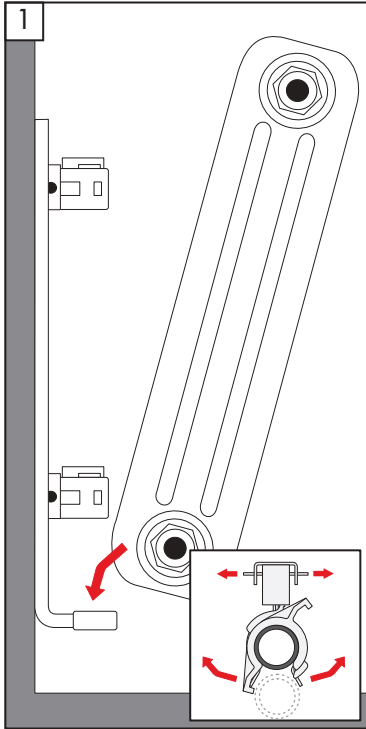
QUICK-MOUNTING BRACKETS FOR COLUMN RADIATORS, WITH TRANSPARENT CLAMPS

CODE

CODE	Description	Screws	Clamps	Weight	Length
60640026	GTX 260 bracket, in white, for H = 300 to 350 mm,	20	20	800	
60640035	GTX 350 bracket, in white, for H = 350 to 450 mm,	20	20	640	
60640045	GTX 450 bracket, in white, for H = 500 to 700 mm,	20	20	480	
60640070	GTX 700 bracket, in white, for H = 750 to 1000 mm,	20	20	240	
60640100	GTXP bracket, in white,	20	20	1100	

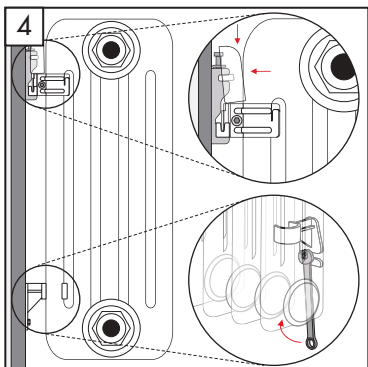
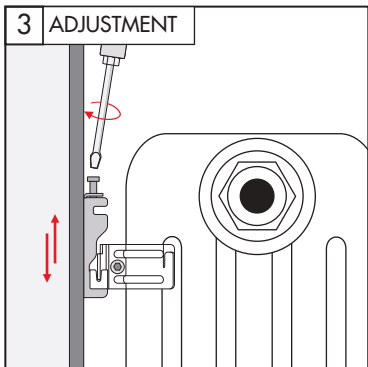
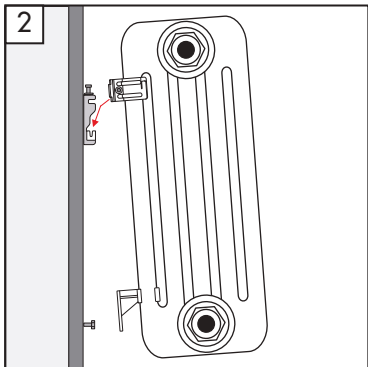
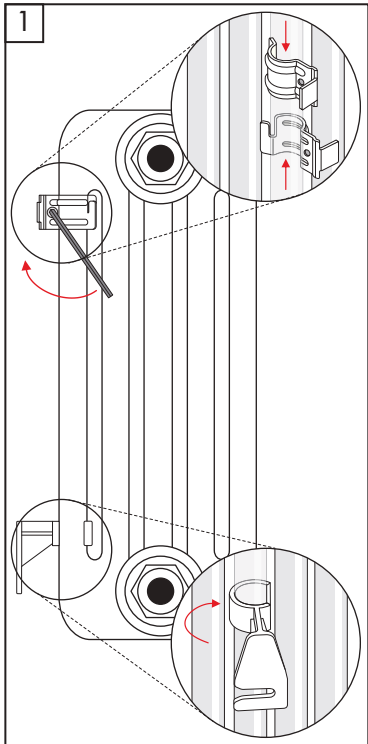


N° VA_MES 15 02 051



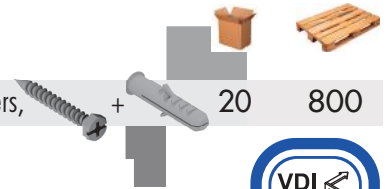
WALL BRACKETS

BRACKETS AND SPACERS



CODE

60201002 Set of 2 GBT brackets, in white, including QKS covers, N6 spacers,



N° VA_MES 15 02 051



GBT

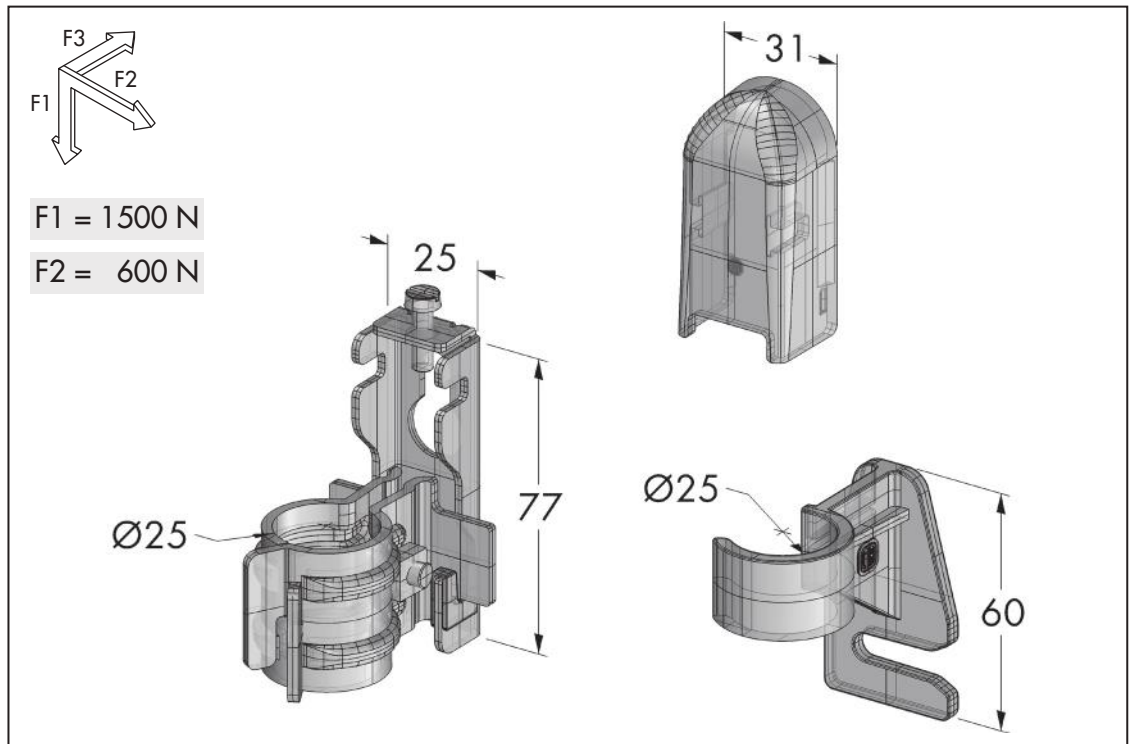


QKS
ANTI-LIFT
COVER



N6
TRANSPARENT

HAVE IT YOUR WAY



WALL BRACKETS

BRACKETS AND SPACERS

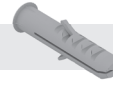
CODE

60400740

Set of 2 D2 brackets and OT clamps, in white, including N5 spacers,



+



50



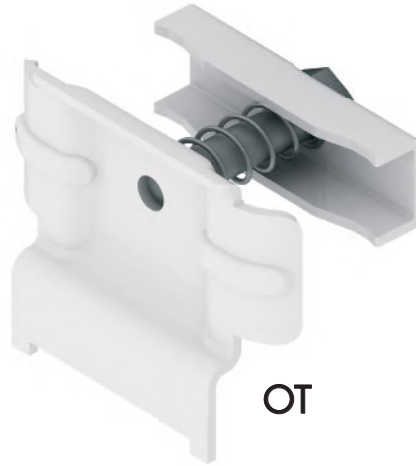
1600



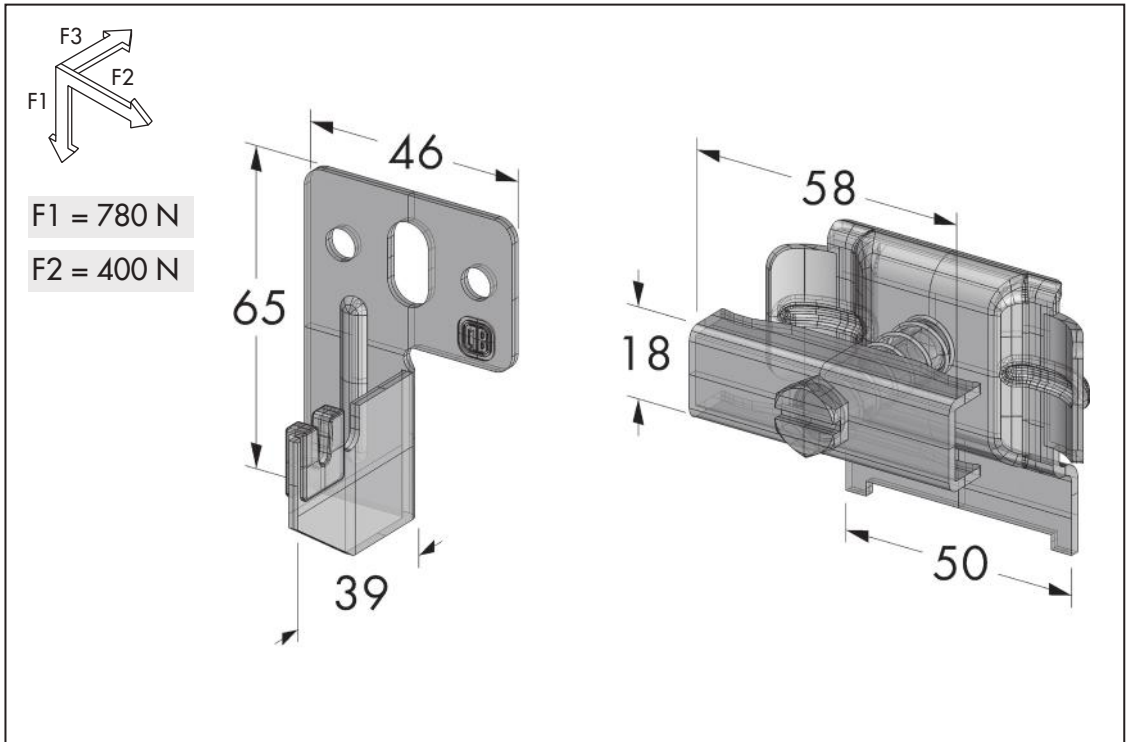
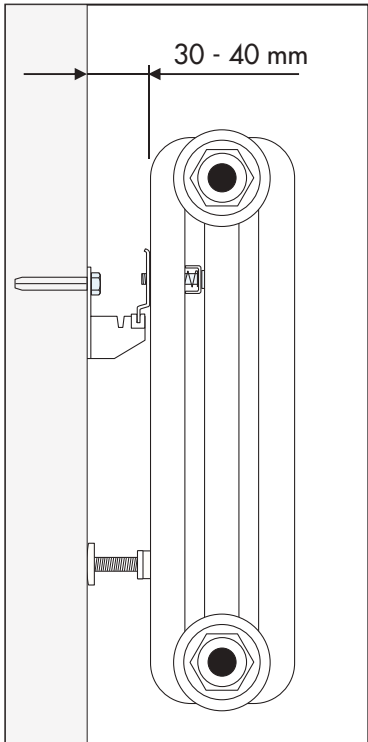
D2



N5
TRANSPARENT



OT



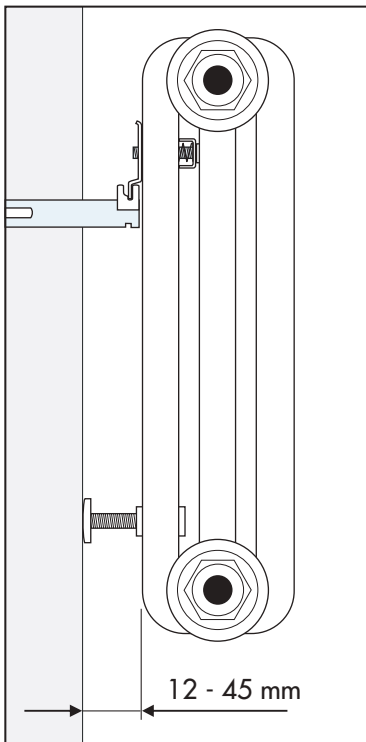
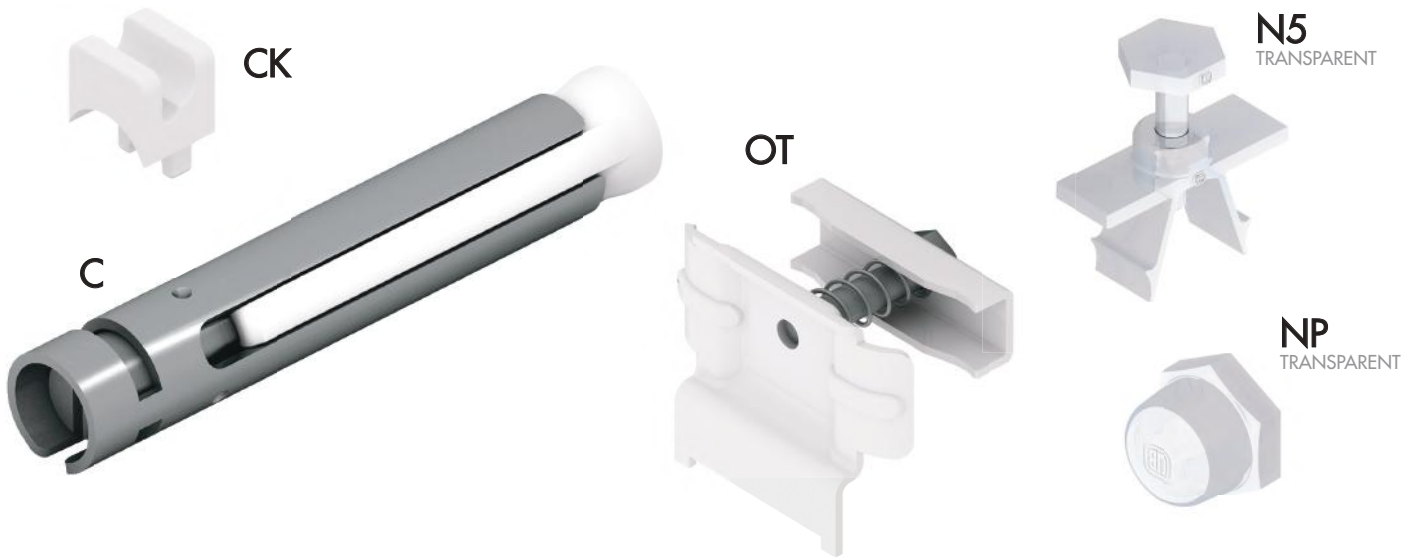
EXPANSION BRACKETS

EXPANSION BRACKETS AND SPACERS

CODE



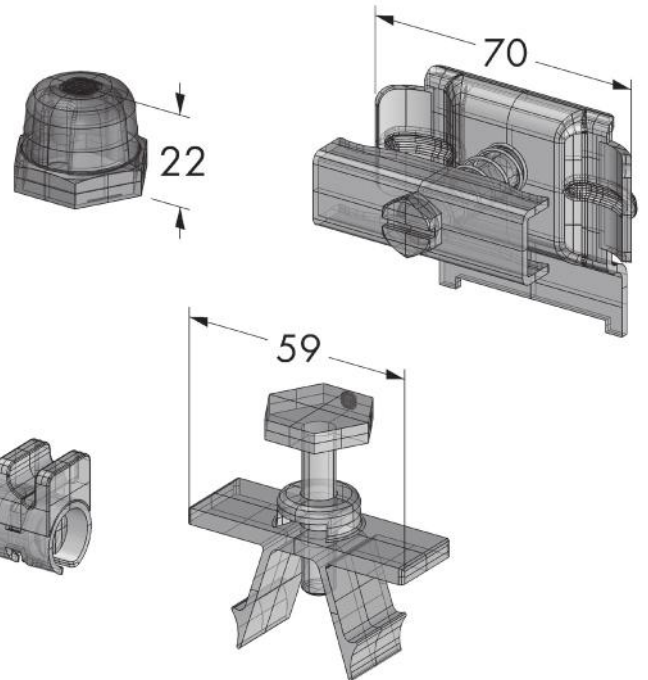
60511090	Set of 2 C 90 mm brackets, with CK insulating pieces	50	5500
60511120	Set of 2 C 120 mm brackets, with CK insulating pieces	50	2750
60511160	Set of 2 C 160 mm brackets, with CK insulating pieces	50	2500
60511180	Set of 2 C 180 mm brackets, with CK insulating pieces	50	2500
60511240	Set of 2 C 240 mm brackets, with CK insulating pieces	50	2500
60500742	OT clamp	100	5500
60020251	N5 spacer	100	5500
60020239	NP extension	100	5500



X_1	X_2	F_1
90	30	900 N
120	50	700 N
160	70	550 N
180	80	400 N
240	120	300 N



[mm]



EXPANSION BRACKETS

EXPANSION BRACKETS WITH ANTI-LIFT COVERS AND SPACERS

CODE

60595160

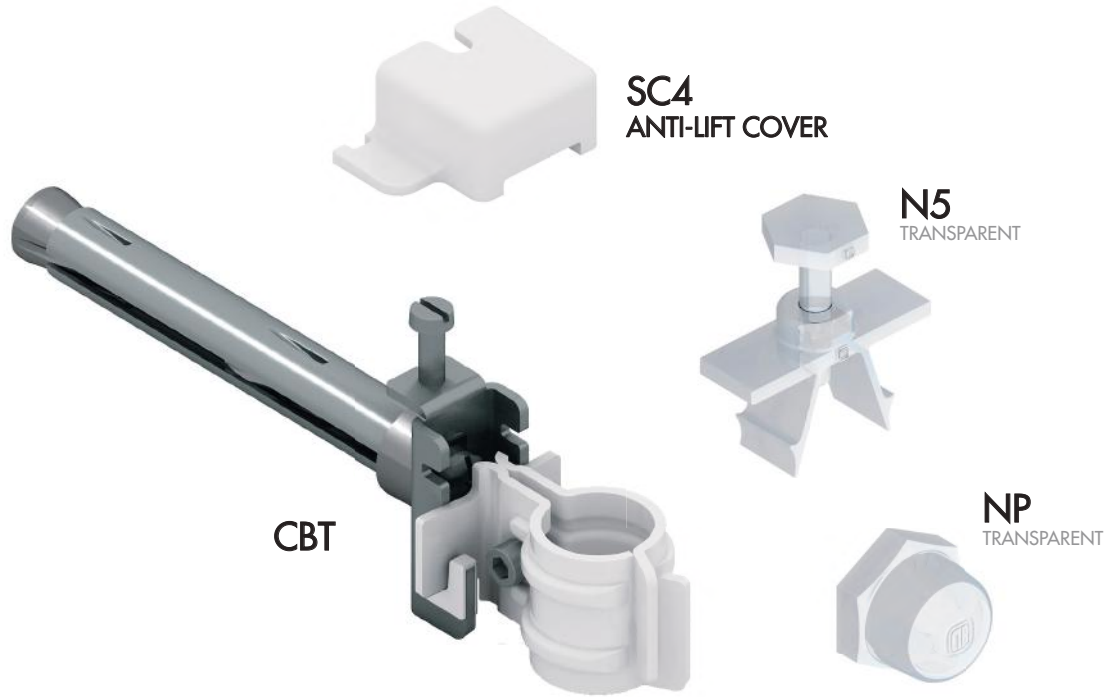
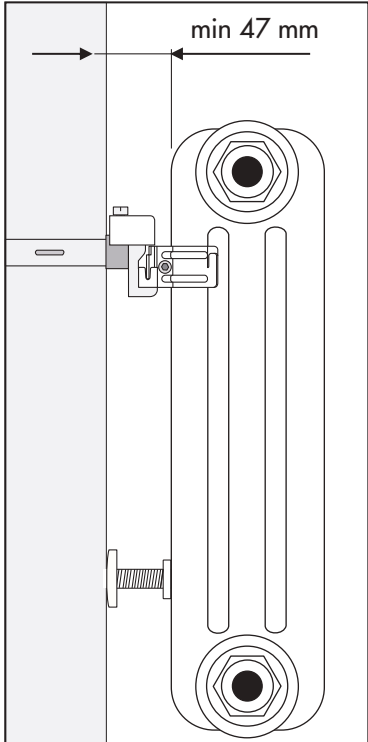
Set of 2 CBT 160 brackets, including SC4 anti-lift covers, N5 spacers and NP extensions



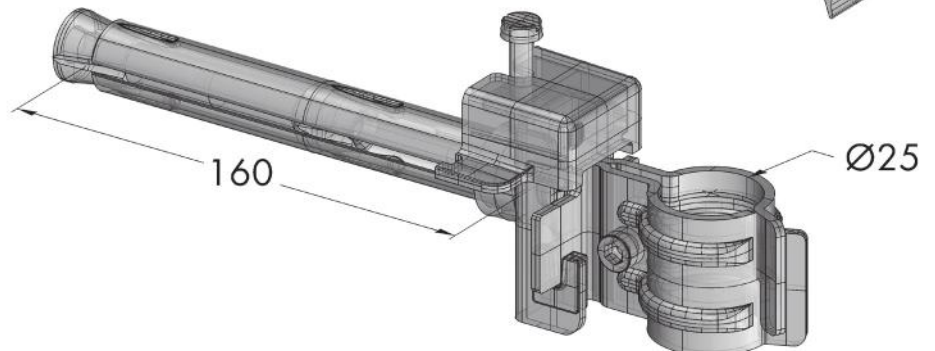
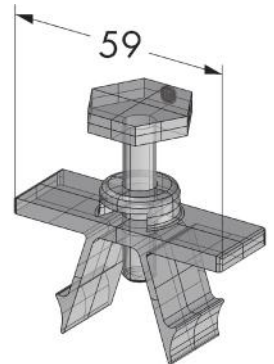
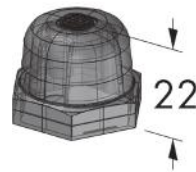
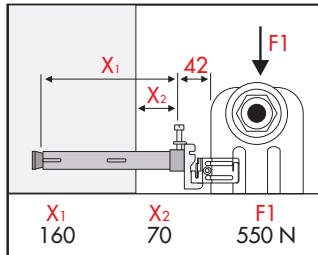
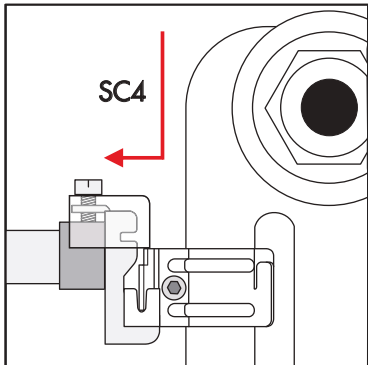
50



2000



HAVE IT YOUR WAY



[mm]



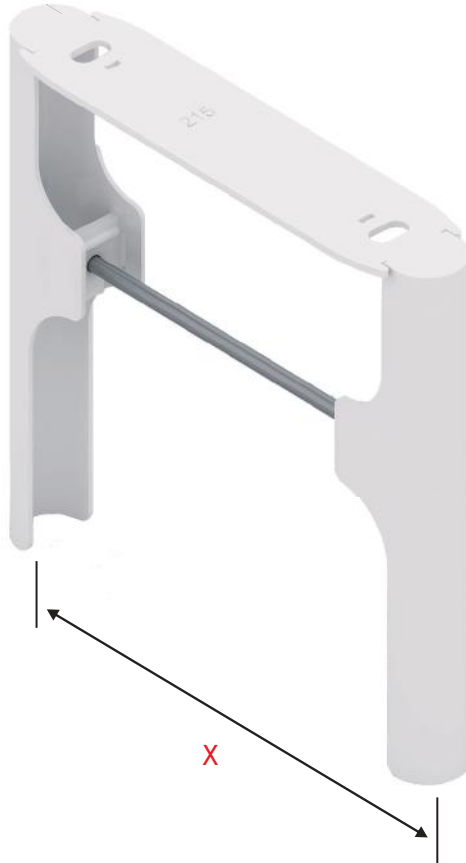
ACCESSORIES

BENCH SEAT MOUNTING SYSTEM FOR 6 COLUMNS RADIATORS

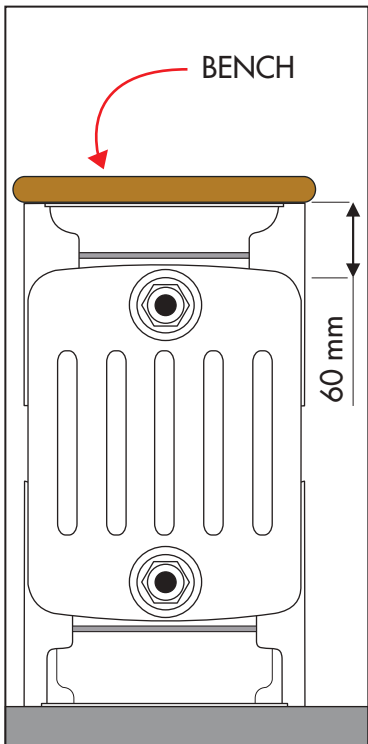
CODE



60780215	Set of 2 PGP X=215, in white	1	100
60780230	Set of 2 PGP X=230, in white	1	100



ATTENTION! The narrow version fits on Zehnder, Irsap, Bemm, Rondra products. The deep one fits on Arbonia, De'Longhi, Cordivari, Ercos, Zenith products. Please contact us for any query.



ACCESSORIES

WINDOW LEDGE HOLDER

CODE

60751040

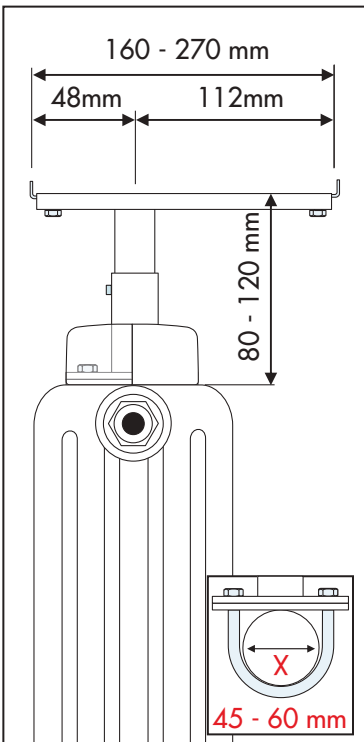
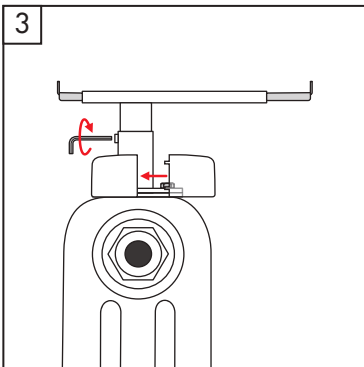
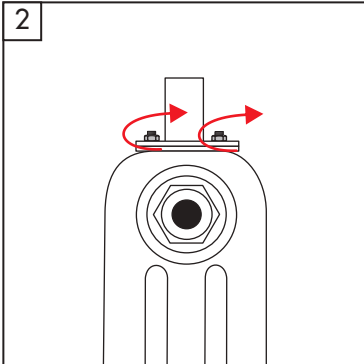
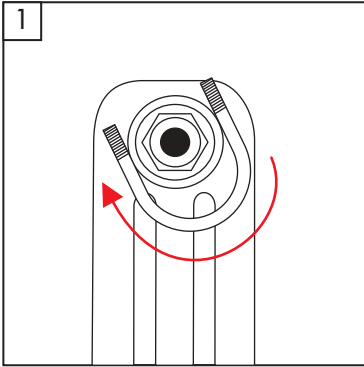
Set of 2 QX4



1



500



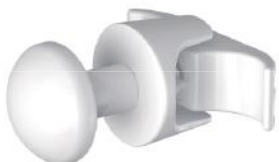
QX4
WINDOW LEDGE HOLDER

NOTE: It is possible to extend the maximum depth of the bench to 310 mm by using two extra pieces, available on request.



ACCESSORIES

TOWEL PEG WHITE OR CHROME PLATED FOR COLUMN RADIATORS



CODE

89011T00 Set with 2 Handy Grip, white

89017T00 Set with 2 Handy Grip, chrome plated



CODE

89021T00 Set with 2 Handy Vip, white

89027T00 Set with 2 Handy Vip, chrome plated



CODE

89031T00 Set with 2 Handy Drop, white

89037T00 Set with 2 Handy Drop, chrome plated



ACCESSORIES

TOWEL HOLDER WHITE OR CHROME PLATED FOR COLUMN RADIATORS

CODE

89071T32P Handy Linear with adjustable length, white, single packaging



CODE

89077T32P Handy Linear with adjustable length, chrome plated, single packaging



CODE

89091T00 Handy Pap, white, single packaging

89097T00 Handy Pap, chrome plated, single packaging



CODE

89061T00 Handy Ring, white, single packaging

89067T00 Handy Ring, chrome plated, single packaging



Handwriting practice lines consisting of 25 horizontal dashed lines.



FIX IT

COSTUMER SATISFACTION IS A PRIORITY OBJECTIVE FOR US. SHOULD YOU EVER HAVE A COMPLAINT ABOUT OUR SERVICE, PLEASE ADDRESS A LETTER TO:

THE MANAGING DIRECTOR
MB SRL
VIA MADONNA NERA, 2/B
31030 BORSO DEL GRAPPA (TV)
ITALY



MB SRL - VIA MADONNA NERA 2/B
I - 31030 BORSO DEL GRAPPA (TV)

marketing@mb-fix.it

Ph. +39 0423 913800
Fx. +39 0423 542188



mb-fix.it



@MBfix



vimeo.com/mbfix