



ITALIAN TRADE AGENCY

Los Angeles Office

Project

Italian Pavillion
(Booth n. 62000- 62201)

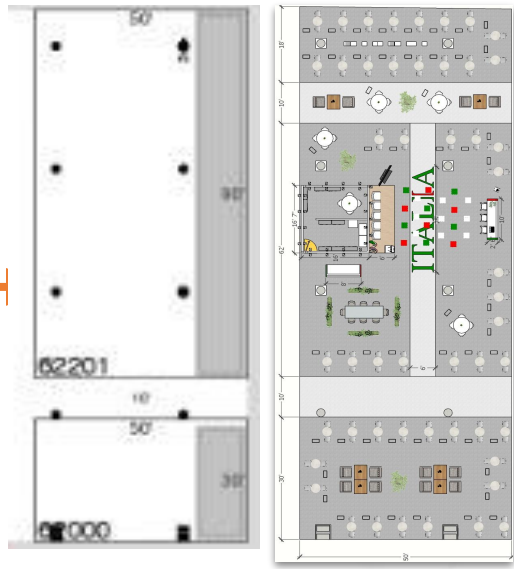
CES 2024

Las Vegas, January 9-12, 2024



ITA 

ITALIAN TRADE AGENCY



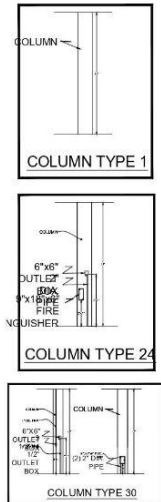
CES 2024
Jan. 9-12, 2024
Venetian Expo, Level 1, Hall G
EUREKA PARK

FIRE EQUIPMENT	
FC	- FIRE HOSE CONNECTION
FV	- FIRE HOSE VALVE (EXEMPT FROM CEILING)
FE	- FIRE EXTINGUISHER (CABINET)
FS	- FIRE STORE - LOBBY LOCATED @ 8'-0"
	- HALL (S) LOCATED IN THE CEILING MECH/FIRE ROOMS LOCATED IN THE CEILING (L.V. 30L) MECH/FIRE ROOMS LOCATED @ 8'-0"
EXIT	- EMERGENCY EXIT
MUST MAINTAIN AT LEAST 30" OF ACCESS AROUND ALL FIRE EQUIPMENT. IT IS THE RESPONSIBILITY OF THE EXHIBITOR TO PROVIDE ACCESS TO FIRE EQUIPMENT WITHIN THEIR BOOTH. FIRE EXTINGUISHERS MAY BE BLOCKED ONLY IF AN A TEMPORARY FE IS PROVIDED.	
MANDATORY AISLES/KEEP CLEAR AREAS	
	MINIMUM AGGREGATE AISLE WIDTHS MUST BE AT LEAST AS WIDE AS THE REQUIRED WIDTHS OF THE EXITS TO WHICH THEY LEAD. REQUIRED CLEAR SPACE FOR EXITS PER C.F.S. MUST REMAIN CLEAR OF OBSTRUCTIONS TO EXITS. ENTRANCE LIGHTS ARE ALL CODED, BUT MUST NOT OBSTRUCT EXITS.
UTILITY NOTES	
ELECTRICAL PANEL Panel box dimensions are 1'-0" x 5'-11" from floor to bottom of panel box. Mandatory 3" "Keep Clear" designation (see also): 200V/GAMP, three phase (3 wires and, color coding, three phase to wire). ELECTRICAL OUTLETS Electrical outlet heights vary. See elevations for locations. 200V/GAMP, 3 Phase (3 Wires). TELEPHONE SERVICE BOX Telephone box dimensions are 1'-0" x 1'-0" x 3'-6" from floor to bottom of box.	
CEILING RESTRICTIONS - HALL G	
Maximum booth display height is 13'-6" Ceiling height ranges from 14'-17" in exhibit hall unless otherwise noted on plan. Double decker booths are not permitted on the Lobby Level due to the booth display height limitation of 13'-6".	
COLUMNS (NOT TO SCALE)	

COLUMN NOTATIONS	
1	FV
2	FE
3	FS
4	XX-XX
5	FSTX
6	
7	
KEY	
1	30" CLEARANCE AROUND FIRE EQUIPMENT (W/SP CLEAR)
2	30" x 30" x 9" FIRE CABINET
3	CONCRETE COLUMN
4	18" x 6" x 6" FIRE EXTINGUISHER AND/OR FIRE VALVE
5	FIRE STORE
6	COLUMN TYPE
7	COLUMN NUMBER
FLOOR LOADS	
EXHIBIT HALL G HAS NO FLOOR LOAD LIMITS.	
BUILDING SYMBOLS	
INTERIOR BUILDING SYMBOLS TELESCOPE ELECTRICAL ELECTRICAL PANEL EXTERIOR BUILDING SYMBOLS TV THEATRE SIGNAL LIGHT POLE PAW FRIEZE LIGHT VENDING MACHINE	
GENERAL NOTES	
ALL DRAPES UNITS ARE SUBJECT TO CHANGE PER ON-SIGHT FIRE MARSHAL APPROVAL. NO FLOOR LOAD LIMIT.	
INT'L SYMBOLS	
LINETYPE LEGEND	
ROLL UP DOORS AIRWALLS LOW CEILINGS KEEP CLEAR	



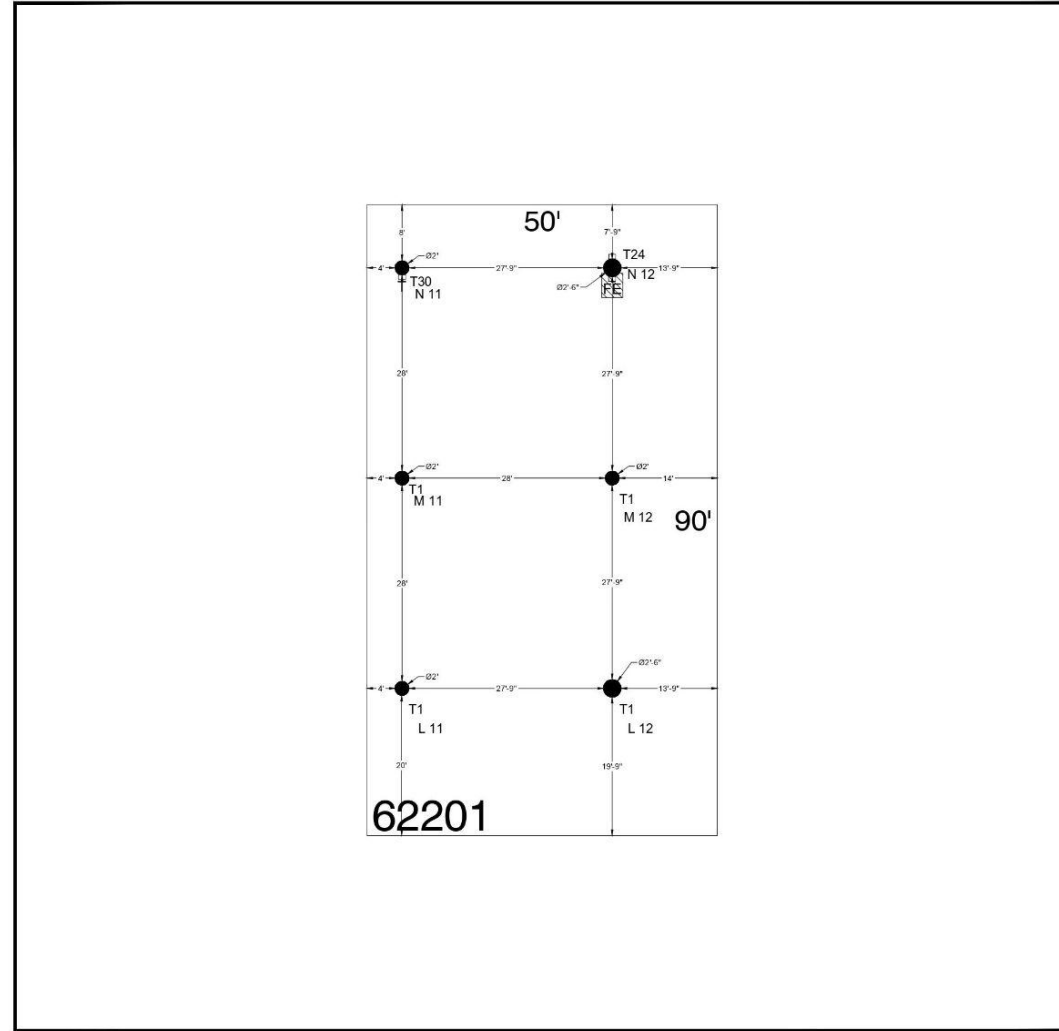
Photos are included as a visual aid only, and may not represent current conditions.



CES 2024

Jan. 9-12, 2024

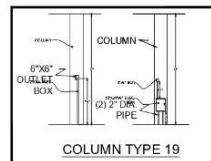
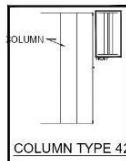
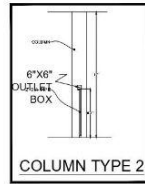
Venetian Expo, Level 1, Hall G



Drawing Started: 8/9/2023	Account Sales: KEVIN COLLURA	Revision Date: 8/10/2023	Line Item: 11079879
Started By: MARIO GIAMEI	Account Management: STEVE ANDERSON	Revised By: Mario Giamei	Scale: CUSTOM

FIRE EQUIPMENT
FH - FIRE HOSE CONNECTION FV - FIRE HOSE VALVE (COMES FROM CEILING) FS - FIRE EXTINGUISHER CABINET F8 - FIRE STORE, LOBBY LOCATED @ 8'-0" HALL LOCATED IN THE CELLULAR MEETING ROOMS LOCATED IN THE CELLULAR MEETING ROOMS LOCATED @ 8'-0" EXIT - EMERGENCY EXIT MUST MAINTAIN AT LEAST 36" OF ACCESS AROUND ALL FIRE EQUIPMENT IT IS THE RESPONSIBILITY OF THE EXHIBITOR TO PROVIDE ACCESS TO FIRE EQUIPMENT WITHIN THEIR BOOTH FIRE EXTINGUISHERS MAY BE LOCATED ONLY WHERE A TEMPORARY F.E. IS PROVIDED
MANDATORY AISLES/KEEP CLEAR AREAS
MINIMUM AGGREGATE AISLE WIDTHS MUST BE AT LEAST AS PER THE REQUIRED WIDTHS OF THE EXITS TO WHICH THEY LEAD REQUIRED CLEAR SPACE FOR EXITS PER C.F.R. MUST REMAIN CLEAR OF OBSTRUCTIONS TO EXITS ENTRANCE DOORS ARE ALL CLOSED, BUT MUST NOT OBSTRUCT EXITS
UTILITY NOTES
ELECTRICAL PANEL Panel box dimensions are 1'-0" x 21, 1'8" from floor to bottom of panel box Mandatory 3" "Keep Clear" designation (see plan) 200V/GAMP, three phase (3 wires and, copper/ALUMINUM, three phase (3 wires)) ELECTRICAL OUTLETS Electrical outlet heights vary. See elevations for locations. 200V/GAMP, 3 Phase (3 Wires) TELEPHONE SERVICE BOX Telephone box dimensions are 1'6" x 1'-0", 3'-6" from floor to bottom of box
CEILING RESTRICTIONS - HALL G
Maximum booth display height is 13'-6" Ceiling height ranges from 14'-17" in exhibit hall unless otherwise noted on plan. Double decker booths are not permitted on the Lobby Level due to the booth display height limitation of 13'-6"
COLUMNS (NOT TO SCALE)

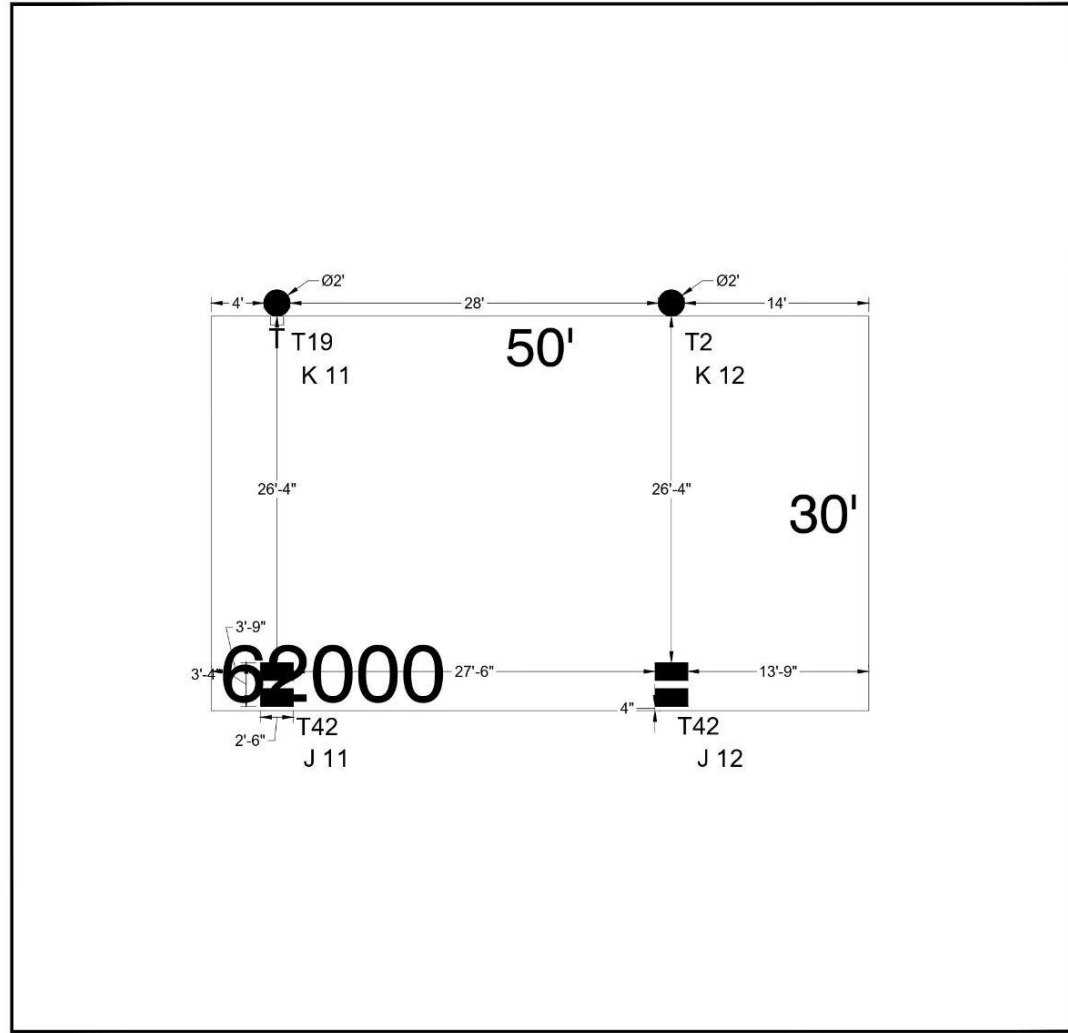
COLUMN NOTATIONS
KEY
1 36" CLEARANCE AROUND FIRE EQUIPMENT (KEEP CLEAR) 2 20" x 30" x 8" FIRE CABINET 3 CONCRETE COLUMN 4 8" x 8" x 8" FIRE EXTINGUISHER AND/OR FIRE VALVE 5 FIRE STORE 6 COLUMN TYPE 7 COLUMN NUMBER
FLOOR LOADS
EXHIBIT HALL G HAS NO FLOOR LOAD LIMITS.
BUILDING SYMBOLS
INTERIOR BUILDING SYMBOLS TELEPHONE ELECTRICAL ELECTRICAL PANEL EXTERIOR BUILDING SYMBOLS TRAFFIC SIGNAL LIGHT POLE FIRE HYDRANT VENDING MACHINE
GENERAL NOTES
ALL DRAPES LINERS ARE SUBJECT TO CHANGE PER ON SCENE FIRE MARSHAL APPROVAL. NO FLOOR LOAD LIMIT.
INT'L SYMBOLS
LINE TYPE LEGEND
ROLL-UP DOORS AIRWALLS LOW CEILINGS KEEP CLEAR



CES 2024

Jan. 9-12, 2024

Venetian Expo, Level 1, Hall G



Photos are included as a visual aid only, and may not represent current conditions.

Freeman

Disclaimer - This floor plan is preliminary and subject to change pending review and official approval by all authorities having jurisdiction. Every effort has been made to ensure the accuracy of all information contained on this floor plan. However, no warranties, either expressed or implied, are made with respect to this floor plan. If the location of building columns, utilities or other architectural components of the facility is a consideration in the construction or usage of an exhibit, it is the sole responsibility of the exhibitor to physically inspect the facility to verify all dimension and locations. © Copyright 2023, Freeman, all rights reserved. **Confidential and Proprietary** - the information contained herein is the proprietary information of Freeman and by accessing the information, the recipient agrees to keep the information confidential and not disclose it to any third party without the prior consent of Freeman. Recipient also agrees to only use the information for its internal evaluation purposes and for no other purpose, without the prior consent of Freeman.

Drawing Started:
8/9/2023

Started By:
MARIO GIAMEI

Account Sales:
KEVIN COLLURA

Account Management:
STEVE ANDERSON

Revision Date:
8/10/2023

Revised By:
Mario Giamei

Line Item:
11079879
Scale:
CUSTOM

